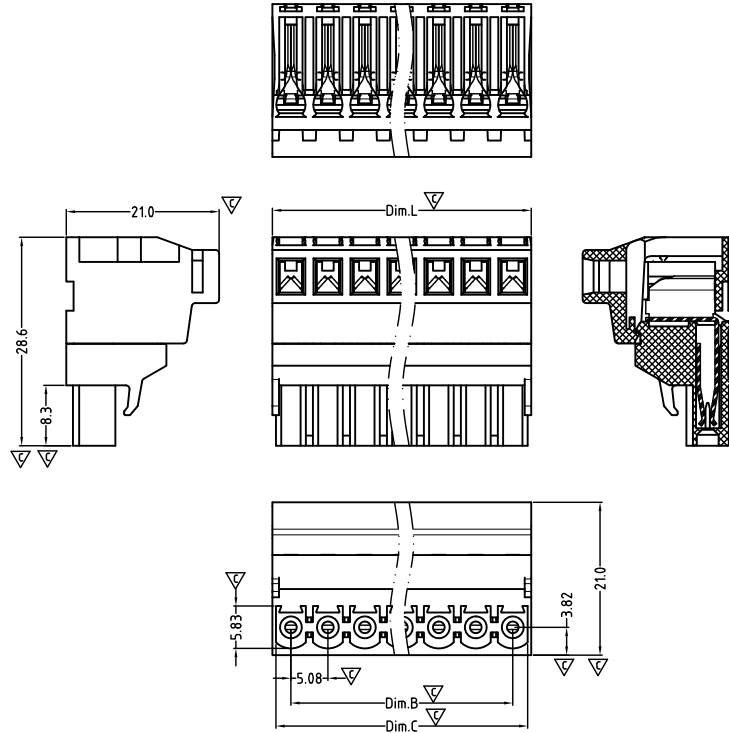


CAPCSD508-SERIES IDC-typ

cAUs E501953



Critical dimension: ▽

Dim.L=Px5.08

Dim.B=(P-1)x5.08

P=Number of poles (02-12)

	Dim B	Dim L
0-30mm	+/- 0,15	+/- 0,20
over 30-60mm	+/- 0,20	+/- 0,25
over 60-90mm	+/- 0,25	+/- 0,30
over 90mm	+/- 0,30	+/- 0,40

Tolerance	
x.	+/- 0,50
x.x	+/- 0,30
x.xx	+/- 0,10
x°	+/-1°
Units:mm	

Technical data

Technical data in accordance with UL/CUL

	Use Group	B	C	D
Nominal voltage (V)		300	-	300
Nominal current (A)		7	-	7
Connection capacity(AWG)		24-18	-	24-18

Technical data in accordance with IEC

Rated insulation voltage at pollution degree 2 (V)		320		
Rated current/conductor cross-section (A/mm ²)		9 / 0.75		
Solid/stranded(mm ²)		0.2-0.75 / 0.2-0.75		
Surge voltage category/pollution degree	III / 3	III / 2	II / 2	
Rated insulation voltage(V)	250	320	630	
Rated surge voltage(kV)	4	4	4	

General data

Stripping length(mm)		0
Flange Screw thread		-
Flange Screw tightening torque(Nm)		-
Insulation Withstanding Voltage		AC1600V / 1min
Insulation Resistance		1000MΩ or more at DC500V
Using temperature range		-40°C-115°C

Materials

Insulation material group		PA 66 I UL94 -V0
Wire guard		PhBz, Tin plated
Spring		-
Flange Screw		-

Packing information

Poles	Order Number	SPQ
2	CAPCSD50802x000	150
3	CAPCSD50803x000	100
4	CAPCSD50804x000	80
5	CAPCSD50805x000	55
6	CAPCSD50806x000	48
7	CAPCSD50807x000	40
8	CAPCSD50808x000	35
9	CAPCSD50809x000	35
10	CAPCSD50810x000	35
11	CAPCSD50811x000	35
12	CAPCSD50812x000	35

Ordering code

CAPC SD 508 xx x xxx
① ② ③ ④ ⑤ ⑥

- ① Type
- ② Product style
- ③ Pitch
- ④ Poles (02-12)
- ⑤ Color
- ⑥ Standard 000 or Custom XXX

Color

0 Black	5 Green
1 Brown	6 Blue
2 Red	G Pale grey
3 Orange	8 Dark grey
4 Yellow	9 White

Key Commercial data

Custom tariff number	8536901000
Country of origin	CN (China)

Mating with headers

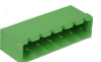
CAHAAH508 Series



CAHAAV508 Series



CAHABH508 Series



CAHABV508Series



Recommended tool

Tool

