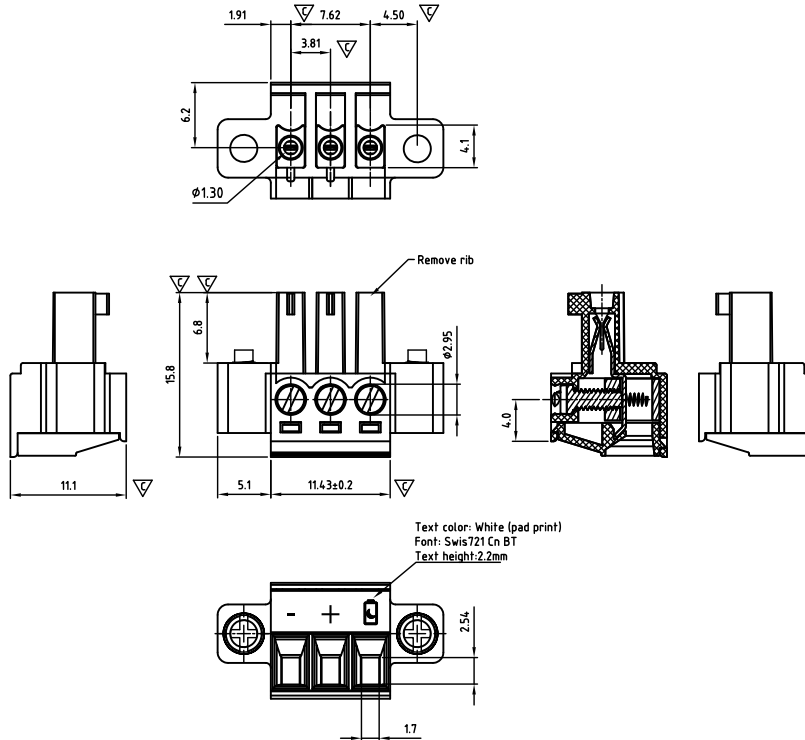




**CAMAFT381-SERIES**

**cULus** E501953



Tolerance	
x.	+/- 0,50
x.x	+/- 0,30
x.xx	+/- 0,10
x°	+/- 1°

Units:mm

**Technical data**

Technical data in accordance with UL/CUL

	Use Group	B	C	D
Nominal voltage (V)		300	-	300
Nominal current (A)		8	-	8
Connection capacity(AWG)		30-16	-	30-16

Technical data in accordance with IEC and VDE

Rated insulation voltage at pollution degree 2 (V)	160		
Rated current/conductor cross-section (A/mm <sup>2</sup> )	8 / 1.5		
Solid/stranded(mm <sup>2</sup> )	0.14-1.5 / 0.14-1.5		
Surge voltage category/pollution degree	III / 3	III / 2	II / 2
Rated insulation voltage(V)	160	160	320
Rated surge voltage(kV)	2.5	2.5	2.5

General data

Stripping length(mm)	6-7
Screw thread	M2
Tightening torque(Nm)	0.20-0.25
Insulation Withstanding Voltage	Ac1600V / 1min
Insulation Resistance	1000M $\Omega$ or more at DC500V
Using temperature range	-40°C-115°C

Materials

Insulation material group	PA 66 I UL94 -V0
Wire guard	PhBz, Tin plated
Cage	Brass, Ni plated
Screw	Steel, Zn plated

**Packing information**

Poles	Order Number	SPQ
3	CAMAFT381030F10	350

**Ordering code**

**CAMA FT 381 xx x F10**  
 ① ② ③ ④ ⑤ ⑥

- ① Type
- ② Product style
- ③ Pitch
- ④ Poles
- ⑤ Color
- ⑥ Standard F10 (halogen-free, lead free)

Color

0 Black	5 Green
1 Brown	6 Blue
2 Red	7 Pale grey
3 Orange	8 Dark grey
4 Yellow	9 White

**Key Commercial data**

Custom tariff number	8536901000
Country of origin	CN (China)

**Mating with headers**

CAHACH381030F10 Series

