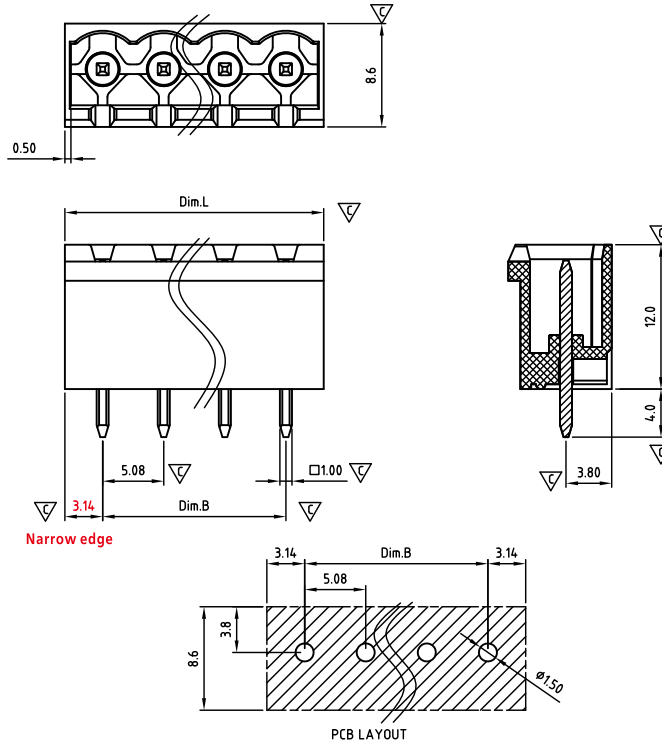




CAHABV508-SERIES

cULus E501953



Critical dimension: ∇

Dim.L=Px5.08		
Dim.B=(P-1)x5.08		
P=Number of poles (02-24)		
	Dim B	Dim L
0-30mm	+/- 0,15	+/- 0,20
over 30-60mm	+/- 0,20	+/- 0,25
over 60-90mm	+/- 0,25	+/- 0,30
over 90mm	+/- 0,30	+/- 0,40

Tolerance	
x.	+/- 0,50
x.x	+/- 0,30
x.xx	+/- 0,10
x ^o	+/-1 ^o
\varnothing	Units:mm

Technical data

Technical data in accordance with UL/cUL

	Use Group	B	C	D
Nominal voltage (V)		300	-	300
Nominal current (A)		15	-	10
Connection capacity(AWG)		-	-	-

Technical data in accordance with IEC and VDE

Rated insulation voltage at pollution degree 2 (V)		320		
Rated current/conductor cross-section (A/mm ²)		12 / -		
Solid/stranded(mm ²)		-		
Surge voltage category/pollution degree	III / 3	III / 2	II / 2	
Rated insulation voltage(V)	250	320	400	
Rated surge voltage(kV)	4	4	4	

General data

Flange nut thread		-
Flange nut tightening torque(Nm)		-
Insulation Withstanding Voltage		AC 1600 / 1min
Insulation Resistance		1000M Ω or more at DC500V
Using temperature range		-40 $^{\circ}$ C-115 $^{\circ}$ C
Soldering temperature		250 \pm 5 $^{\circ}$ C/5s

Materials

Insulation material group		PA 66 I UL94 -V0
PIN		Copper, Tin plated
Flange nut		-
Borehole diameter/pin dimensions(mm)		1.5/1 *1

Packing information

Poles	Order Number	SPQ
2	CAHABV50802xA00	600
3	CAHABV50803xA00	400
4	CAHABV50804xA00	300
5	CAHABV50805xA00	250
6	CAHABV50806xA00	240
7	CAHABV50807xA00	250
8	CAHABV50808xA00	170
9	CAHABV50809xA00	200
10	CAHABV50810xA00	180
11	CAHABV50811xA00	180
12	CAHABV50812xA00	180
13	CAHABV50813xA00	135
14	CAHABV50814xA00	110
15	CAHABV50815xA00	110
16	CAHABV50816xA00	80
17	CAHABV50817xA00	80
18	CAHABV50818xA00	80
19	CAHABV50819xA00	80
20	CAHABV50820xA00	80
21	CAHABV50821xA00	80
22	CAHABV50822xA00	80
23	CAHABV50823xA00	80
24	CAHABV50824xA00	80

Ordering code

CAHA BV 508 xx x Axx

① ② ③ ④ ⑤ ⑥

- ① Type
- ② Product style
- ③ Pitch
- ④ Poles (02-24)
- ⑤ Color
- ⑥ Standard A00 or Custom AXX
Narrow edge 3.14mm

Color

0 Black	5 Green
1 Brown	6 Blue
2 Red	G Pale grey
3 Orange	8 Dark grey
4 Yellow	9 White

Key Commercial data

Custom tariff number	8536901000
Country of origin	CN (China)

Mating with headers

CAMAS T/D 508 Series



CAMBS R/W 508 Series



CAMCSD508 Series



CAMESO508 Series



CAPAS T/D 508 Series



CAPASD508xxx100 Series

