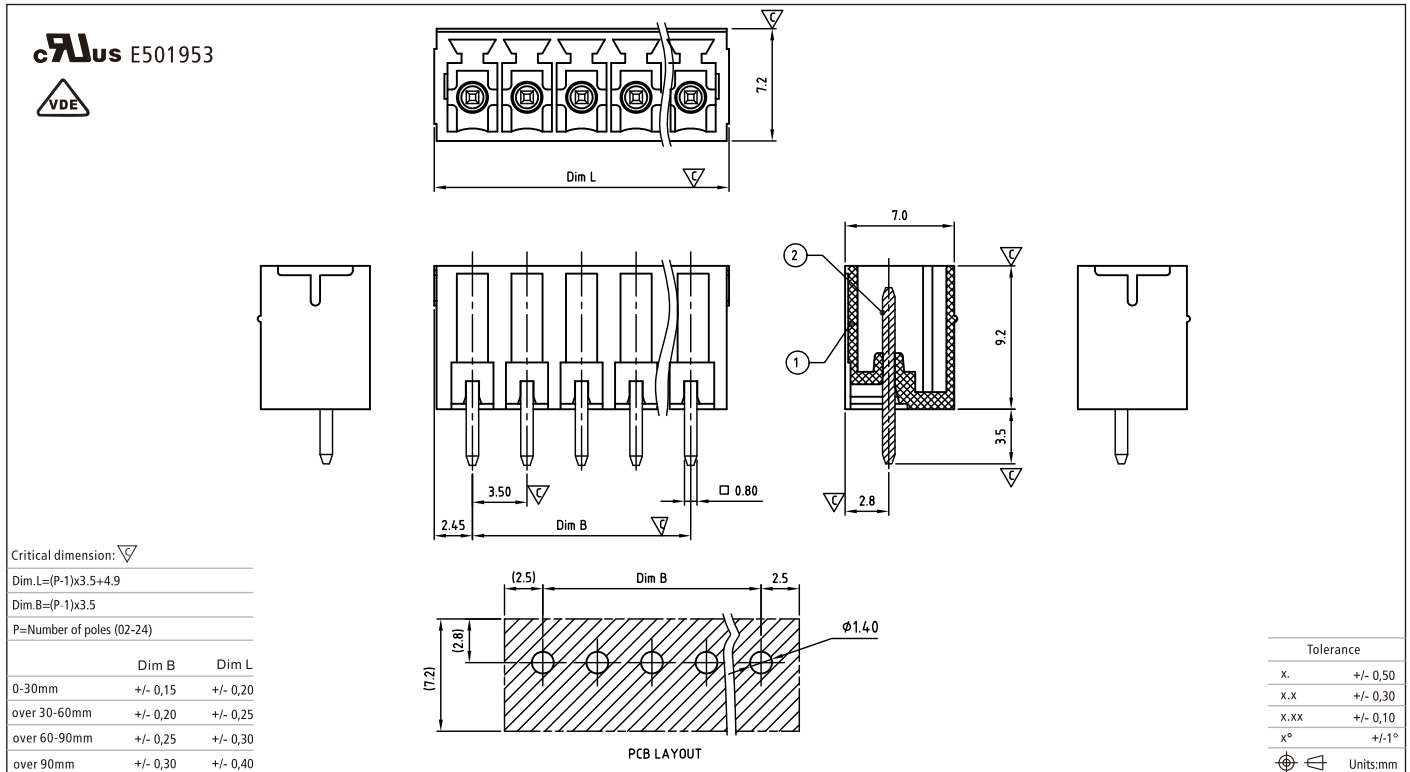




CAHABV350-SERIES

Pitch 3,50mm



Technical data

Technical data in accordance with UL/cUL

	Use Group	B	C	D
Nominal voltage (V)		300	-	300
Nominal current (A)		8	-	8
Connection capacity (AWG)		-	-	-

Technical data in accordance with IEC and VDE

Rated insulation voltage at pollution degree 2 (V)		160		
Rated current/conductor cross-section (A/mm ²)		8 / -		
Solid/stranded(mm ²)		-		
Surge voltage category/pollution degree	III / 3	III / 2	II / 2	
Rated insulation voltage(V)	160	160	250	
Rated surge voltage(kV)	2.5	2.5	2.5	

General data

Flange nut thread		-
Flange nut tightening torque(Nm)		-
Insulation Withstanding Voltage	AC 1600 / 1min	
Insulation Resistance	1000MΩ or more at DC500V	
Using temperature range	-40°C-115°C	
Soldering temperature	250±5°C/5s	

Materials

Insulation material group	PA 66 I UL94 -V0
PIN	Copper, Tin plated
Flange nut	-
Borehole diameter/pin dimensions(mm)	1.4/0.8*0.8

Packing information

Poles	Order Number	SPQ
2	CAHABV35002x000	1000
3	CAHABV35003x000	750
4	CAHABV35004x000	620
5	CAHABV35005x000	500
6	CAHABV35006x000	450
7	CAHABV35007x000	380
8	CAHABV35008x000	300
9	CAHABV35009x000	300
10	CAHABV35010x000	320
11	CAHABV35011x000	300
12	CAHABV35012x000	270
13	CAHABV35013x000	245
14	CAHABV35014x000	245
15	CAHABV35015x000	210
16	CAHABV35016x000	185
17	CAHABV35017x000	180
18	CAHABV35018x000	180
19	CAHABV35019x000	180
20	CAHABV35020x000	145
21	CAHABV35021x000	130
22	CAHABV35022x000	130
23	CAHABV35023x000	120
24	CAHABV35024x000	120

Ordering code

CAHA BV 350 xx x xxx
① ② ③ ④ ⑤ ⑥

- ① Type
- ② Product style
- ③ Pitch
- ④ Poles (02-24)
- ⑤ Color
- ⑥ Standard 000 or Custom XXX

Color

0 Black	5 Green
1 Brown	6 Blue
2 Red	G Pale grey
3 Orange	8 Dark grey
4 Yellow	9 White

Key Commercial data

Custom tariff number	8536901000
Country of origin	CN (China)

Mating with headers

CAMAST350 Series



CAMBSR350 Series



CAMBSW350 Series



CAPBSD350 Series

