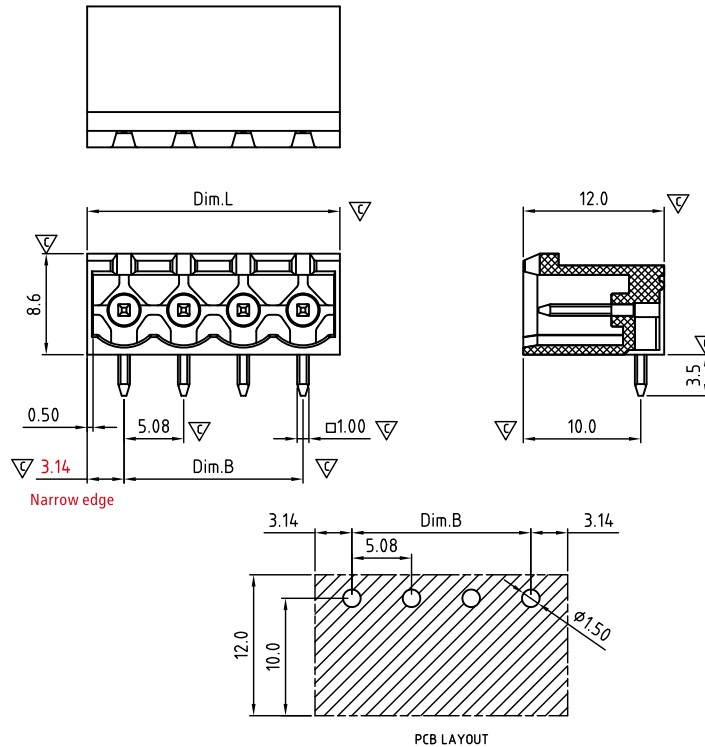




CAHABH508-SERIES

cULus E501953



Critical dimension: ∇

Dim.L=Px5.08

Dim.B=(P-1)x5.08

P=Number of poles (02-24)

	Dim B	Dim L
0-30mm	+/- 0,15	+/- 0,20
over 30-60mm	+/- 0,20	+/- 0,25
over 60-90mm	+/- 0,25	+/- 0,30
over 90mm	+/- 0,30	+/- 0,40

Tolerance	
x.	+/- 0,50
x.x	+/- 0,30
x.xx	+/- 0,10
x°	+/- 1°

Units:mm

Technical data

Technical data in accordance with UL/CUL

	Use Group	B	C	D
Nominal voltage (V)		300	-	300
Nominal current (A)		15	-	10
Connection capacity(AWG)		-	-	-

Technical data in accordance with IEC and VDE

Rated insulation voltage at pollution degree 2 (V)		320	
Rated current/conductor cross-section (A/mm ²)		12 / -	
Solid/stranded(mm ²)		-	
Surge voltage category/pollution degree	III / 3	III / 2	II / 2
Rated insulation voltage(V)	250	320	400
Rated surge voltage(kV)	4	4	4

General data

Flange nut thread		-
Flange nut tightening torque(Nm)		-
Insulation Withstanding Voltage		AC 1600 / 1min
Insulation Resistance		1000MΩ or more at DC500V
Using temperature range		-40°C-115°C
Soldering temperature		250±5°C/5s

Materials

Insulation material group		PA 66 I UL94 -V0
PIN		Copper, Tin plated
Flange nut		-
Borehole diameter/pin dimensions(mm)		1.5/1 *1

Packing information

Poles	Order Number	SPQ
2	CAHABH50802xA00	600
3	CAHABH50803xA00	400
4	CAHABH50804xA00	300
5	CAHABH50805xA00	260
6	CAHABH50806xA00	240
7	CAHABH50807xA00	240
8	CAHABH50808xA00	240
9	CAHABH50809xA00	240
10	CAHABH50810xA00	200
11	CAHABH50811xA00	180
12	CAHABH50812xA00	180
13	CAHABH50813xA00	120
14	CAHABH50814xA00	120
15	CAHABH50815xA00	120
16	CAHABH50816xA00	120
17	CAHABH50817xA00	120
18	CAHABH50818xA00	80
19	CAHABH50819xA00	75
20	CAHABH50820xA00	75
21	CAHABH50821xA00	65
22	CAHABH50822xA00	65
23	CAHABH50823xA00	65
24	CAHABH50824xA00	65

Ordering code

CAHA BH 508 xx x Axx

① ② ③ ④ ⑤ ⑥

- ① Type
- ② Product style
- ③ Pitch
- ④ Poles (02-24)
- ⑤ Color
- ⑥ Standard A00 or Custom AXX
Narrow edge 3.14mm

Color

0 Black	5 Green
1 Brown	6 Blue
2 Red	G Pale grey
3 Orange	8 Dark grey
4 Yellow	9 White

Key Commercial data

Custom tariff number	8536901000
Country of origin	CN (China)

Mating with headers

CAMAS T/D 508 Series



CAMBS R/W 508 Series



CAMCSD508 Series



CAMESO508 Series



CAPAS T/D 508 Series



CAPASD508xxx100 Series

