

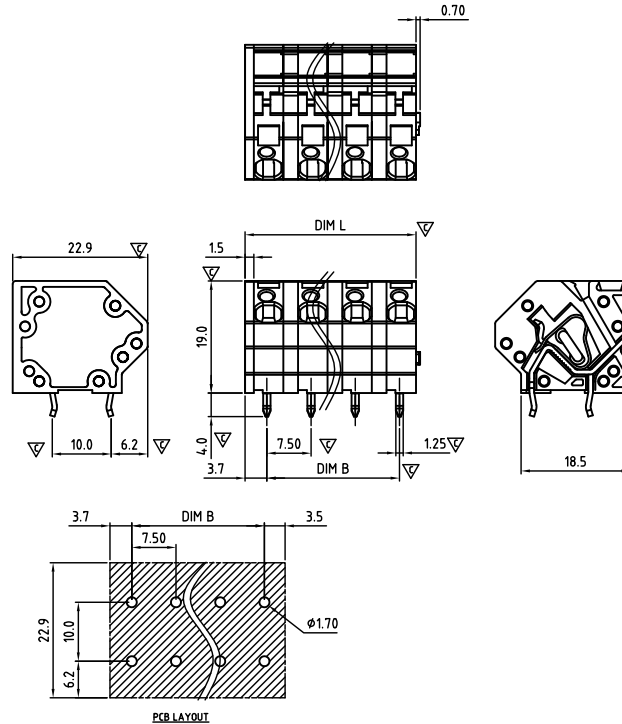


PCB SPRING-CAGE TERMINAL BLOCKS

CASFAM750-SERIES

Pitch 7,50mm

cRU E501953



Critical dimension: ∇

Dim.L=(P-1)x7.5+6.5

Dim.B=(P-1)x7.5

P=Number of poles (01-16)

	Dim B	Dim L
0-30mm	+/- 0,15	+/- 0,20
over 30-60mm	+/- 0,20	+/- 0,25
over 60-90mm	+/- 0,25	+/- 0,30
over 90mm	+/- 0,30	+/- 0,40

Tolerance	
x.	+/- 0,50
x.x	+/- 0,30
x.xx	+/- 0,10
x°	+/- 1°

Units:mm

Technical data

Technical data in accordance with UL/CUL

	Use Group	B	C	D
Nominal voltage (V)		300	150	300
Nominal current (A)		15	15	10
Connection capacity(AWG)		28-12	28-12	28-12

Technical data in accordance with IEC

Rated insulation voltage at pollution degree 2 (V)	630		
Rated current/conductor cross-section (A/mm ²)	32 / 4		
Solid/stranded(mm ²)	0.08-4/0.08-4		
Surge voltage category/pollution degree	III / 3	III / 2	II / 2
Rated insulation voltage(V)	500	630	1000
Rated surge voltage(kV)	6	6	6

General data

Stripping length(mm)	8-9
Borehole diameter/pin dimensions(mm)	1.7/0.8*1.2

Materials

Insulation material group	PA 66 I
Inflammability class acc.To UI94	V0
Contact	Copper, Sn plated
Wire guard	Stainless steel

Packing information

Poles	Order Number	SPQ
1	CASFAM75001x000	200
2	CASFAM75002x000	150
3	CASFAM75003x000	120
4	CASFAM75004x000	95
5	CASFAM75005x000	80
6	CASFAM75006x000	60
7	CASFAM75007x000	50
8	CASFAM75008x000	50
9	CASFAM75009x000	30
10	CASFAM75010x000	30
11	CASFAM75011x000	30
12	CASFAM75012x000	30
13	CASFAM75013x000	30
14	CASFAM75014x000	25
15	CASFAM75015x000	25
16	CASFAM75016x000	25

Ordering code

CASFAM 750 xx x xxx

① ② ③ ④ ⑤ ⑥

- ① Type
- ② Product style
- ③ Pitch
- ④ Poles (01-16)
- ⑤ Color
- ⑥ Standard 000 or Custom XXX

Color

0 Black	5 Green
1 Brown	6 Blue
2 Red	G Pale grey
3 Orange	8 Dark grey
4 Yellow	9 White

Key Commercial data

Custom tariff number	8536901000
Country of origin	CN (China)

