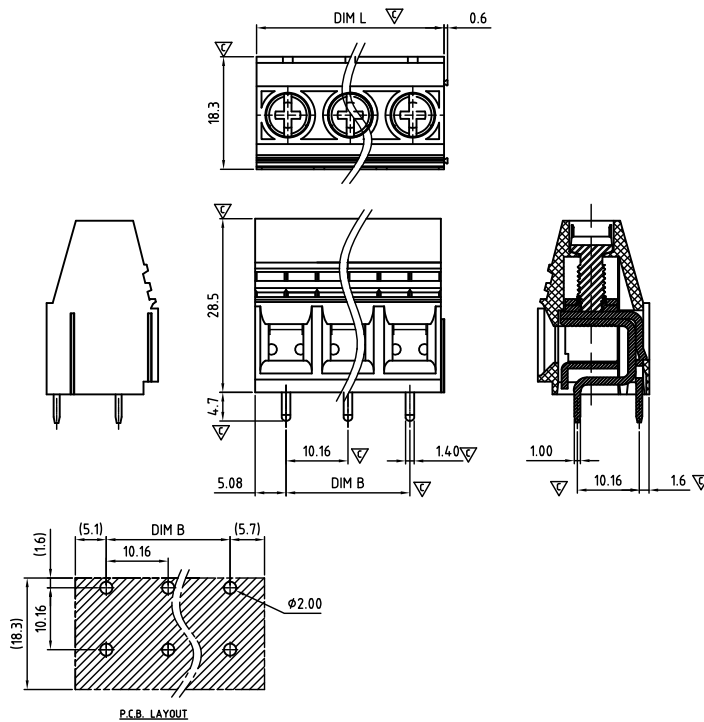




CAFSHM116-SERIES

cULus E501953



Critical dimension: ▽

| | | |
|---------------------------|----------|----------|
| Dim.L=Px10.16 | | |
| Dim.B=(P-1)x10.16 | | |
| P=Number of poles (02-10) | | |
| | Dim B | Dim L |
| 0-30mm | +/- 0,15 | +/- 0,20 |
| over 30-60mm | +/- 0,20 | +/- 0,25 |
| over 60-90mm | +/- 0,25 | +/- 0,30 |
| over 90mm | +/- 0,30 | +/- 0,40 |

| Tolerance | |
|-----------|----------|
| x. | +/- 0,50 |
| x.x | +/- 0,30 |
| x.xx | +/- 0,10 |
| x° | +/-1° |
| | Units:mm |

Pitch 10,16mm

Technical data

Technical data in accordance with UL/CUL

| | Use Group | B | C | D |
|--------------------------|-----------|------|---|------|
| Nominal voltage (V) | | 300 | - | 600 |
| Nominal current (A) | | 65 | - | 5 |
| Connection capacity(AWG) | | 22-6 | - | 22-6 |

Technical data in accordance with IEC

| | | | |
|--|-----------------|---------|--------|
| Rated insulation voltage at pollution degree 2 (V) | 630 | | |
| Rated current/conductor cross-section (A/mm ²) | 76 / 16 | | |
| Solid/stranded(mm ²) | 0.5-16 / 0.5-16 | | |
| Surge voltage category/pollution degree | III / 3 | III / 2 | II / 2 |
| Rated insulation voltage(V) | 690 | 750 | 1000 |
| Rated surge voltage(kV) | 8 | 8 | 8 |

General data

| | |
|---------------------------------|--------------------------|
| Stripping length(mm) | 10-11 |
| Screw thread | M4.0 |
| Tightening torque(Nm) | 1.2-1.5 |
| Insulation Withstanding Voltage | AC 1600 / 1min |
| Insulation Resistance | 1000MΩ or more at DC500V |
| Using temperature range | -40°C-115°C |

Materials

| | |
|---------------------------|-------------------|
| Insulation material group | PA 66 I UL94 -V0 |
| Contact | Brass, Tin plated |
| Cage | Steel, Zn plated |
| Screw | Steel, Zn plated |

Packing information

| Poles | Order Number | SPQ |
|-------|-----------------|-----|
| 2 | CAFSHM11602x100 | 70 |
| 3 | CAFSHM11603x100 | 45 |
| 4 | CAFSHM11604x100 | 35 |
| 5 | CAFSHM11605x100 | 20 |
| 6 | CAFSHM11606x100 | 20 |
| 7 | CAFSHM11607x100 | 15 |
| 8 | CAFSHM11608x100 | 15 |
| 9 | CAFSHM11609x100 | 15 |
| 10 | CAFSHM11610x100 | 15 |

Ordering code

CAF SHM 116 xx x 1xx

① ② ③ ④ ⑤ ⑥

- ① Type
- ② Product style
- ③ Pitch
- ④ Poles (02-10)
- ⑤ Color
- ⑥ Standard 100 or Custom 1XX (" +/- " Solt screw type)

Color

| | |
|----------|-------------|
| 0 Black | 5 Green |
| 1 Brown | 6 Blue |
| 2 Red | G Pale grey |
| 3 Orange | 8 Dark grey |
| 4 Yellow | 9 White |

Key Commercial data

| | |
|----------------------|------------|
| Custom tariff number | 8536901000 |
| Country of origin | CN (China) |

Mating with headers

