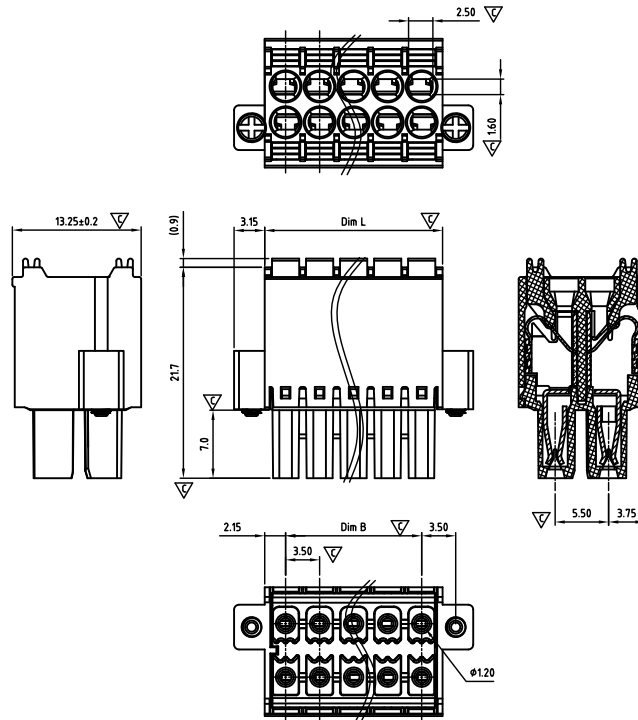




CAPDFD350-SERIES

cULus E501953



Critical dimension: ▽

Dim.L=(P-1)×3.5+4.3

Dim.B=(P-1)×3.5

P=Number of poles (04-48)

	Dim B	Dim L
0-30mm	+/- 0,15	+/- 0,20
over 30-60mm	+/- 0,20	+/- 0,25
over 60-90mm	+/- 0,25	+/- 0,30
over 90mm	+/- 0,30	+/- 0,40

Tolerance	
x.	+/- 0,50
x.x	+/- 0,30
x.xx	+/- 0,10
x°	+/- 1°

Units:mm

Technical data

Technical data in accordance with UL/CUL

	Use Group	B	C	D
Nominal voltage (V)		300	50	300
Nominal current (A)		8	8	8
Connection capacity (AWG)		24-16	24-16	24-16

Technical data in accordance with IEC

Rated insulation voltage at pollution degree 2 (V)		160	
Rated current/conductor cross-section (A/mm ²)		8 / 1.5	
Solid/stranded(mm ²)		0.2-1.5 / 0.2-1.5	
Surge voltage category/pollution degree	III / 3	III / 2	II / 2
Rated insulation voltage(V)	160	160	320
Rated surge voltage(kV)	2.5	2.5	2.5

General data

Stripping length(mm)		9-10
Flange Screw thread		M2.5
Flange Screw tightening torque(Nm)		Max.0.3
Insulation Withstanding Voltage		AC1600V / 1min
Insulation Resistance		1000MΩ or more at DC500V
Using temperature range		-40°C-115°C

Materials

Insulation material group		PA 66 I UL94 -V0
Wire guard		PhBz, Tin plated
Spring		Stainless steel
Flange Screw		Steel, Zn plated

Packing information

Poles	Order Number	SPQ
2*2	CAPDFD35004x000	200
2*3	CAPDFD35006x000	150
2*4	CAPDFD35008x000	120
2*5	CAPDFD35010x000	120
2*6	CAPDFD35012x000	105
2*7	CAPDFD35014x000	90
2*8	CAPDFD35016x000	75
2*9	CAPDFD35018x000	75
2*10	CAPDFD35020x000	60
2*11	CAPDFD35022x000	60
2*12	CAPDFD35024x000	60
2*13	CAPDFD35026x000	45
2*14	CAPDFD35028x000	45
2*15	CAPDFD35030x000	45
2*16	CAPDFD35032x000	45
2*17	CAPDFD35034x000	45
2*18	CAPDFD35036x000	30
2*19	CAPDFD35038x000	30
2*20	CAPDFD35040x000	30
2*21	CAPDFD35042x000	30
2*22	CAPDFD35044x000	30
2*23	CAPDFD35046x000	30
2*24	CAPDFD35484x000	30

Ordering code

CAPD FD 350 xx x xxx
① ② ③ ④ ⑤ ⑥

- ① Type
- ② Product style
- ③ Pitch
- ④ Poles (04-48)
- ⑤ Color
- ⑥ Standard 000 or Custom XXX

Color

0 Black	5 Green
1 Brown	6 Blue
2 Red	G Pale grey
3 Orange	8 Dark grey
4 Yellow	9 White

Key Commercial data

Custom tariff number	8536901000
Country of origin	CN (China)

Mating with headers

CAHGCH350 Series



CAHGCV350 Series

