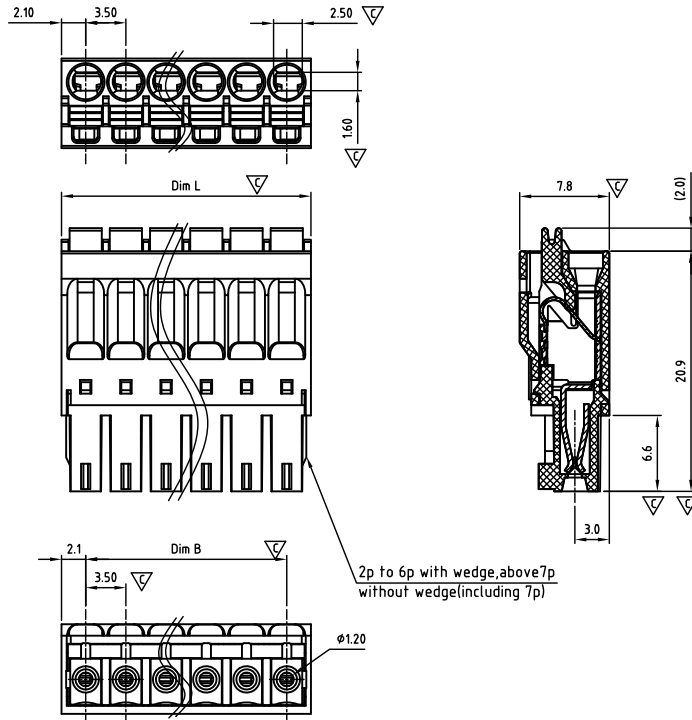


CAPBSD350-SERIES

cULus E501953



Critical dimension: ∇

Dim.L=(P-1)x3.5+4.2

Dim.B=(P-1)x3.5

P=Number of poles (02-24)

	Dim B	Dim L
0-30mm	+/- 0,15	+/- 0,20
over 30-60mm	+/- 0,20	+/- 0,25
over 60-90mm	+/- 0,25	+/- 0,30
over 90mm	+/- 0,30	+/- 0,40

Tolerance	
x.	+/- 0,50
x.x	+/- 0,30
x.xx	+/- 0,10
x°	+/- 1°

Units:mm

Technical data

Technical data in accordance with UL/CUL

	Use Group	B	C	D
Nominal voltage (V)	150	-	150	
Nominal current (A)	8	-	8	
Connection capacity(AWG)	24-16	-	24-16	

Technical data in accordance with IEC

Rated insulation voltage at pollution degree 2 (V)	160		
Rated current/conductor cross-section (A/mm ²)	8 / 1.5		
Solid/stranded(mm ²)	0.2-1.5 / 0.2-1.5		
Surge voltage category/pollution degree	III / 3	III / 2	II / 2
Rated insulation voltage(V)	160	160	320
Rated surge voltage(kV)	2.5	2.5	2.5

General data

Stripping length(mm)	9-10
Flange Screw thread	-
Flange Screw tightening torque(Nm)	-
Insulation Withstanding Voltage	AC1300V / 1min
Insulation Resistance	1000M Ω or more at DC500V
Using temperature range	-40°C-115°C

Materials

Insulation material group	PA 66 I UL94 -V0
Wire guard	PhBz, Tin plated
Spring	Stainless steel
Flange Screw	-

Packing information

Poles	Order Number	SPQ
2	CAPBSD35002x000	600
3	CAPBSD35003x000	420
4	CAPBSD35004x000	400
5	CAPBSD35005x000	350
6	CAPBSD35006x000	280
7	CAPBSD35007x000	180
8	CAPBSD35008x000	210
9	CAPBSD35009x000	175
10	CAPBSD35010x000	175
11	CAPBSD35011x000	140
12	CAPBSD35012x000	140
13	CAPBSD35013x000	140
14	CAPBSD35014x000	140
15	CAPBSD35015x000	105
16	CAPBSD35016x000	105
17	CAPBSD35017x000	105
18	CAPBSD35018x000	105
19	CAPBSD35019x000	105
20	CAPBSD35020x000	70
21	CAPBSD35021x000	70
22	CAPBSD35022x000	70
23	CAPBSD35023x000	70
24	CAPBSD35024x000	70

Ordering code

CAP SD 350 xx x xxx
① ② ③ ④ ⑤ ⑥

- ① Type
- ② Product style
- ③ Pitch
- ④ Poles (02-24)
- ⑤ Color
- ⑥ Standard 000 or Custom XXX

Color

0 Black	5 Green
1 Brown	6 Blue
2 Red	G Pale grey
3 Orange	8 Dark grey
4 Yellow	9 White

Key Commercial data

Custom tariff number	8536901000
Country of origin	CN (China)

Mating with headers

CAHABH350 Series



CAHABV350 Series



CAHFBH350 Series



CAHFBV350 Series

