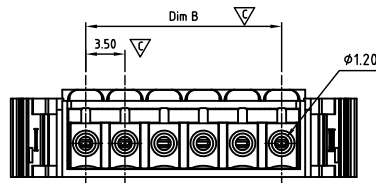
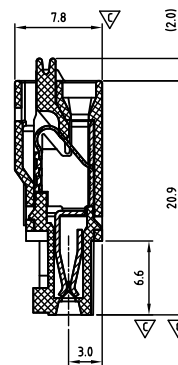
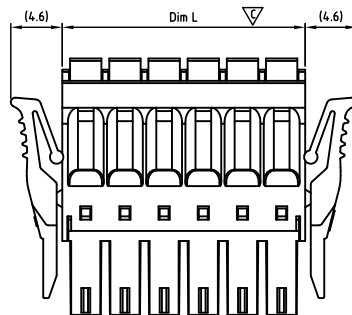
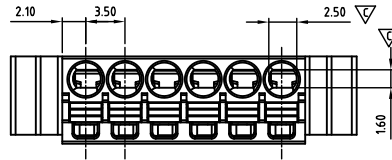


## CAPBLD350-SERIES

cULus E501953



Critical dimension:  $\nabla$

Dim.L=(P-1)x3.5+4.2

Dim.B=(P-1)x3.5

P=Number of poles (02-24)

	Dim B	Dim L
0-30mm	+/- 0,15	+/- 0,20
over 30-60mm	+/- 0,20	+/- 0,25
over 60-90mm	+/- 0,25	+/- 0,30
over 90mm	+/- 0,30	+/- 0,40

Tolerance	
x.	+/- 0,50
x.x	+/- 0,30
x.xx	+/- 0,10
x°	+/- 1°

Units:mm

### Technical data

Technical data in accordance with UL/CUL

	Use Group	B	C	D
Nominal voltage (V)	150	-	150	
Nominal current (A)	8	-	8	
Connection capacity(AWG)	24-16	-	24-16	

Technical data in accordance with IEC

Rated insulation voltage at pollution degree 2 (V)	160
Rated current/conductor cross-section (A/mm <sup>2</sup> )	8 / 1.5
Solid/stranded(mm <sup>2</sup> )	0.2-1.5 / 0.2-1.5
Surge voltage category/pollution degree	III / 3 III / 2 II / 2
Rated insulation voltage(V)	160 160 320
Rated surge voltage(kV)	2.5 2.5 2.5

General data

Stripping length(mm)	9-10
Flange Screw thread	-
Flange Screw tightening torque(Nm)	-
Insulation Withstanding Voltage	AC1300V / 1min
Insulation Resistance	1000MΩ or more at DC500V
Using temperature range	-40°C-115°C

Materials

Insulation material group	PA 66 I UL94 -V0
Wire guard	PhBz, Tin plated
Spring	Stainless steel
Flange Screw	-

### Packing information

Poles	Order Number	SPQ
2	CAPBLD35002x000	260
3	CAPBLD35003x000	220
4	CAPBLD35004x000	200
5	CAPBLD35005x000	210
6	CAPBLD35006x000	180
7	CAPBLD35007x000	150
8	CAPBLD35008x000	150
9	CAPBLD35009x000	120
10	CAPBLD35010x000	120
11	CAPBLD35011x000	120
12	CAPBLD35012x000	140
13	CAPBLD35013x000	90
14	CAPBLD35014x000	90
15	CAPBLD35015x000	90
16	CAPBLD35016x000	90
17	CAPBLD35017x000	60
18	CAPBLD35018x000	84
19	CAPBLD35019x000	60
20	CAPBLD35020x000	60
21	CAPBLD35021x000	60
22	CAPBLD35022x000	60
23	CAPBLD35023x000	60
24	CAPBLD35024x000	60

### Ordering code

CAPBLD 350 xx x xxx  
① ② ③ ④ ⑤ ⑥

- ① Type
- ② Product style
- ③ Pitch
- ④ Poles (02-24)
- ⑤ Color
- ⑥ Standard 000 or Custom XXX

Color

0 Black	5 Green
1 Brown	6 Blue
2 Red	G Pale grey
3 Orange	8 Dark grey
4 Yellow	9 White

### Key Commercial data

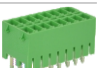
Custom tariff number	8536901000
Country of origin	CN (China)

### Mating with headers

CAHFDH350 Series



CAHFDV350 Series



CAHADH350 Series



CAHADV350 Series

