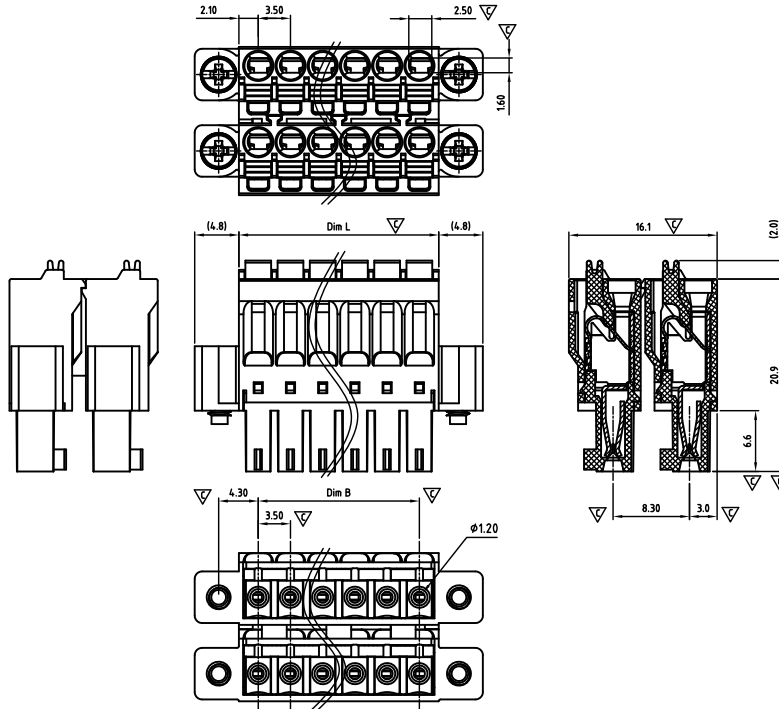




CAPBFD350-SERIES (with double-row plug)

cULus E501953



Critical dimension: ∇

Dim.L=(P-1)x3.5+4.2

Dim.B=(P-1)x3.5

P=1/2 Number of poles (04-48)

	Dim B	Dim L
0-30mm	+/- 0,15	+/- 0,20
over 30-60mm	+/- 0,20	+/- 0,25
over 60-90mm	+/- 0,25	+/- 0,30
over 90mm	+/- 0,30	+/- 0,40

Tolerance	
x.	+/- 0,50
x.x	+/- 0,30
x.xx	+/- 0,10
x°	+/- 1°

Units:mm

Technical data

Technical data in accordance with UL/CUL

	Use Group	B	C	D
Nominal voltage (V)	150	-	150	
Nominal current (A)	8	-	8	
Connection capacity(AWG)	24-16	-	24-16	

Technical data in accordance with IEC

Rated insulation voltage at pollution degree 2 (V)	160		
Rated current/conductor cross-section (A/mm ²)	8 / 1.5		
Solid/stranded(mm ²)	0.2-1.5 / 0.2-1.5		
Surge voltage category/pollution degree	III / 3	III / 2	II / 2
Rated insulation voltage(V)	160	160	320
Rated surge voltage(kV)	2.5	2.5	2.5

General data

Stripping length(mm)	9-10
Flange Screw thread	M2.5
Flange Screw tightening torque(Nm)	Max.0.3
Insulation Withstanding Voltage	AC1300V / 1min
Insulation Resistance	1000M Ω or more at DC500V
Using temperature range	-40°C-115°C

Materials

Insulation material group	PA 66 I UL94 -V0
Wire guard	PhBz, Tin plated
Spring	Stainless steel
Flange Screw	Steel, Zn plated

Packing information

Poles	Order Number	SPQ
2*2	CAPBFD35004xD00	180
2*3	CAPBFD35006xD00	135
2*4	CAPBFD35008xD00	120
2*5	CAPBFD35010xD00	105
2*6	CAPBFD35012xD00	90
2*7	CAPBFD35014xD00	75
2*8	CAPBFD35016xD00	75
2*9	CAPBFD35018xD00	60
2*10	CAPBFD35020xD00	60
2*11	CAPBFD35022xD00	60
2*12	CAPBFD35024xD00	45
2*13	CAPBFD35026xD00	45
2*14	CAPBFD35028xD00	45
2*15	CAPBFD35030xD00	45
2*16	CAPBFD35032xD00	45
2*17	CAPBFD35034xD00	30
2*18	CAPBFD35036xD00	30
2*19	CAPBFD35038xD00	30
2*20	CAPBFD35040xD00	30
2*21	CAPBFD35042xD00	30
2*22	CAPBFD35044xD00	30
2*23	CAPBFD35046xD00	30
2*24	CAPBFD35048xD00	30

Ordering code

CAPB FD 350 xx x D00

① ② ③ ④ ⑤ ⑥

- ① Type
- ② Product style
- ③ Pitch
- ④ Poles (04-48)
- ⑤ Color
- ⑥ Standard D00 or Custom XXX

Color

0 Black	5 Green
1 Brown	6 Blue
2 Red	G Pale grey
3 Orange	8 Dark grey
4 Yellow	9 White

Key Commercial data

Custom tariff number	8536901000
Country of origin	CN (China)

Mating with headers

CAHFCH350 Series



CAHFCV350 Series

