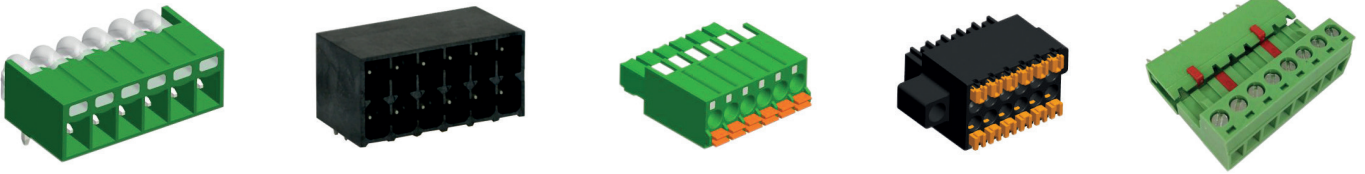


**CREATING VALUE**

**SCREWLESS PLUGS**





## COMPANY PROFILE

Cabcon Contacts is a part of the Cabcon Group, which was founded in Copenhagen, Denmark in 2003. Cabcon Contacts are a professional manufacturer of terminal block with a "state of the art" production site in China. The focus in our ISO9001 approved factory in China is quality, lean production and competitive pricing.

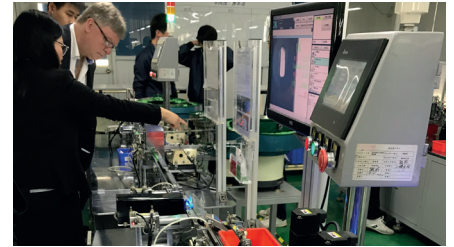
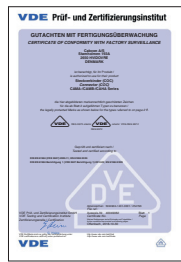
Hard investments have been made in a fully automated production line. Along the production line CCTV systems are installed to monitor and control the production line from the injection, molding, stamping and to the final packing.

To meet the customers demand we offer ink-jet printing and tampon printing and our products can be delivered in trays, boxes and/or Tape on reel.

## PRODUCT RANGE

- // Screw type plugs and headers for pluggable system
- // Screwless type plugs for pluggable system
- // PCB screw rising clamp system
- // PCB screw wire protector system
- // PCB spring-cage system
- // PCB barrier screw system
- // Special type Terminal blocks

According to international requirements, most of our products are and will be designed to meet UL and VDE regulations.



## CABCON GROUP

As experienced experts in electromechanical products and cable assemblies we support our customers and partners around the world with products, solutions and services in the industrial environment. With our motto "Creating Value" we continuously develop innovative, sustainable and useful solutions for our customers individual needs.

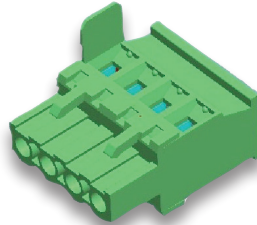
With headquarter in Denmark, divisions in Sweden, Norway and Hong Kong - we meet the customers on site. With our international sales setup, and warehouses in both Europe and Asia we create value with local presence, but global logistics.



## OUR SERVICE

### CUSTOMIZED PRODUCTS

Terminal blocks or headers for special applications can be developed at CABCON to meet the customer's requirements. Modifications of standard housing and integration of an additional wire connection within the plastic housing are possible.



### PRINTING

Terminal blocks and headers can be marked by different methods. CABCON offers its customers two kinds of printing: Ink-jet printing, the cost-effective, fast and flexible solution to print letters or individual characters. The tampon printing is also available. The Tampon print guarantees the best quality and definition. A variety of letters and characters are possible, even on corners and round surfaces. Both types of printing are wipe-proof; the tampon-printing method is also resistant to isopropyl alcohol.



### PACKING

We can pack in Tape-on-reel, Trays, Boxes. For printed circuit board assembly in automated processes. CABCON can offer terminal blocks and headers on tape-on-reel, in trays or in boxes. Dimensions and shapes are adapted to the assembly machine. Base on request the tapes/trays/boxes can be supplied in antistatic packaging for ESD protection. Terminal blocks and headers in tape-on-reel or tray packing will be delivered with pick & place pad where needed.

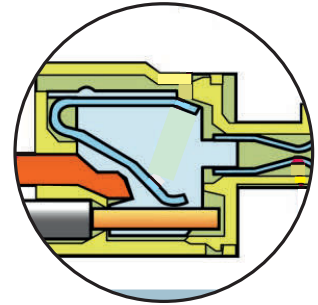


### THE CATALOGUE

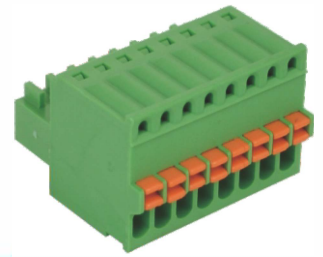
We have made documentation easy to read, by using icons and keeping all relevant information's on one page. Approvals is showed in the drawing, and mating parts is mentioned where available, so it is easy to find mating options. We are trying to update the catalogue frequently for you to have latest information's available.



## THIS CATALOGUE CONTAINS SCREW-LESS TYPE PLUGS

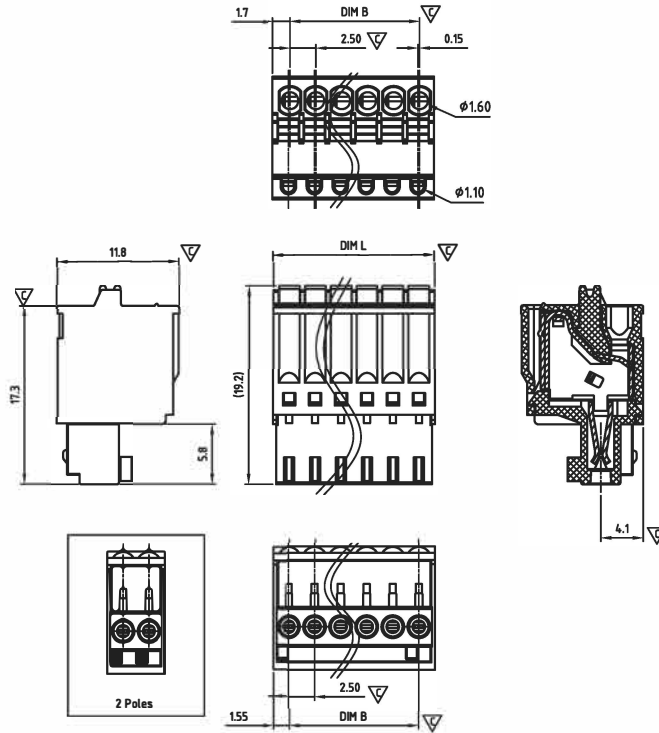


The information in this document is subject to change without further notice.



## CAPASD250-SERIES

**cULus** E501953



Critical dimension:  $\nabla$

Dim.L= $P \times 2.5 + 0.6$

Dim.B=(P-1) $\times 2.5$

P=Number of poles (02-24)

	Dim B	Dim L
0-30mm	+/- 0,15	+/- 0,20
over 30-60mm	+/- 0,20	+/- 0,25
over 60-90mm	+/- 0,25	+/- 0,30
over 90mm	+/- 0,30	+/- 0,40

Tolerance	
x	+/- 0,50
x.x	+/- 0,30
x.xx	+/- 0,10
x°	+/- 1°

Units:mm

### Technical data

Technical data in accordance with UL/CUL

	Use Group	B	C	D
Nominal voltage (V)	150	-	-	-
Nominal current (A)	4	-	-	-
Connection capacity (AWG)	28-20	-	-	-

Technical data in accordance with IEC

Rated insulation voltage at pollution degree 2 (V)	160
Rated current/conductor cross-section (A/mm <sup>2</sup> )	4 / 0.5
Solid/stranded (mm <sup>2</sup> )	0.14-0.5 / 0.14-0.5
Surge voltage category/pollution degree	III / 3 III / 2 II / 2
Rated insulation voltage (V)	100 160 320
Rated surge voltage (kV)	1.5 1.5 1.5

General data

Stripping length (mm)	7-8
Flange Screw thread	-
Flange Screw tightening torque (Nm)	-
Insulation Withstanding Voltage	AC1600V / 1min
Insulation Resistance	1000M $\Omega$ or more at DC500V
Using temperature range	-40°C-115°C

Materials

Insulation material group	PA 66   UL94 -V0
Wire guard	PhBz, Tin plated
Spring	Stainless steel
Flange Screw	-

### Packing information

Poles	Order Number	SPQ
2	CAPASD25002x000	600
3	CAPASD25003x000	400
4	CAPASD25004x000	300
5	CAPASD25005x000	300
6	CAPASD25006x000	280
7	CAPASD25007x000	240
8	CAPASD25008x000	235
9	CAPASD25009x000	200
10	CAPASD25010x000	165
11	CAPASD25011x000	160
12	CAPASD25012x000	160
13	CAPASD25013x000	140
14	CAPASD25014x000	120
15	CAPASD25015x000	120
16	CAPASD25016x000	120
17	CAPASD25017x000	95
18	CAPASD25018x000	95
19	CAPASD25019x000	95
20	CAPASD25020x000	95
21	CAPASD25021x000	80
22	CAPASD25022x000	80
23	CAPASD25023x000	80
24	CAPASD25024x000	80

### Ordering code

**CAPA SD 250 xx x xxx**  
① ② ③ ④ ⑤ ⑥

- ① Type
- ② Product style
- ③ Pitch
- ④ Poles (02-24)
- ⑤ Color
- ⑥ Standard 000 or Custom XXX

Color

0 Black	5 Green
1 Brown	6 Blue
2 Red	7 Pale grey
3 Orange	8 Dark grey
4 Yellow	9 White

### Key Commercial data

Custom tariff number	8536901000
Country of origin	CN (China)

### Mating with headers

CAHABH250 Series



CAHABV250 Series

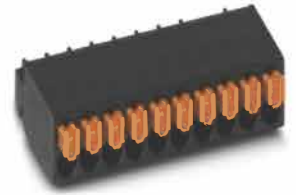


CAHAEH250 Series



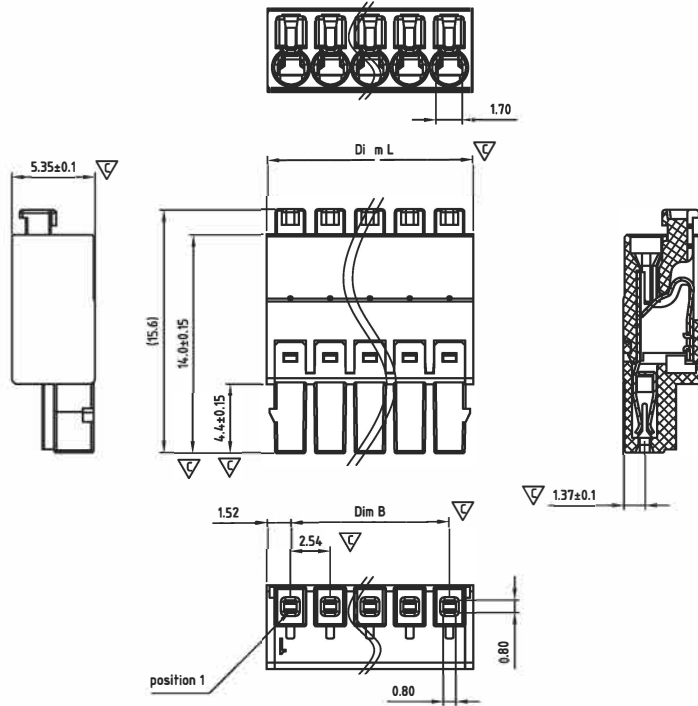
CAHAEV250 Series





**CAPBSD254-SERIES**

Pitch 2,54mm



Critical dimension: ▽

Dim.L=(P-1)x2.54+3.04

Dim.B=(P-1)x2.54

P=Number of poles (02-24)

	Dim B	Dim L
0-30mm	+/- 0,15	+/- 0,20
over 30-60mm	+/- 0,20	+/- 0,25
over 60-90mm	+/- 0,25	+/- 0,30
over 90mm	+/- 0,30	+/- 0,40

Tolerance	
x	+/- 0,50
x.x	+/- 0,30
x.xx	+/- 0,10
x°	+/-1°
Units:mm	

**Technical data**

Technical data in accordance with UL/CUL

	Use Group	B	C	D
Nominal voltage (V)	150	50	-	-
Nominal current (A)	6	6	-	-
Connection capacity (AWG)	26-20	26-20	-	-

Technical data in accordance with IEC

Rated insulation voltage at pollution degree 2 (V)	160
Rated current/conductor cross-section (A/mm <sup>2</sup> )	6 / 0.5
Solid/stranded(mm <sup>2</sup> )	0.14-0.5 / 0.14-0.5
Surge voltage category/pollution degree	III / 3 III / 2 II / 2
Rated insulation voltage(V)	32 160 160
Rated surge voltage(kV)	2.5 2.5 2.5

General data

Stripping length(mm)	6-7
Flange Screw thread	-
Flange Screw tightening torque(Nm)	-
Insulation Withstanding Voltage	AC1300V / 1min
Insulation Resistance	1000MΩ or more at DC500V
Using temperature range	-40°C-115°C

Materials

Insulation material group	LCP I UL94-V0
Wire guard	PhBz, Tin plated
Spring	Stainless steel
Flange Screw	-

**Packing information**

Poles	Order Number	SPQ
2	CAPBSD25402x000	600
3	CAPBSD25403x000	400
4	CAPBSD25404x000	300
5	CAPBSD25405x000	300
6	CAPBSD25406x000	280
7	CAPBSD25407x000	240
8	CAPBSD25408x000	235
9	CAPBSD25409x000	200
10	CAPBSD25410x000	165
11	CAPBSD25411x000	160
12	CAPBSD25412x000	160
13	CAPBSD25413x000	140
14	CAPBSD25414x000	120
15	CAPBSD25415x000	120
16	CAPBSD25416x000	120
17	CAPBSD25417x000	95
18	CAPBSD25418x000	95
19	CAPBSD25419x000	95
20	CAPBSD25420x000	95
21	CAPBSD25421x000	80
22	CAPBSD25422x000	80
23	CAPBSD25423x000	80
24	CAPBSD25424x000	80

**Ordering code**

**CAPB SD 254 xx x xxx**  
① ② ③ ④ ⑤ ⑥

- ① Type
- ② Product style
- ③ Pitch
- ④ Poles (02-24)
- ⑤ Color
- ⑥ Standard 000 or Custom XXX

Color

0 Black	5 Green
1 Brown	6 Blue
2 Red	G Pale grey
3 Orange	8 Dark grey
4 Yellow	9 White

**Key Commercial data**

Custom tariff number	8536901000
Country of origin	CN (China)

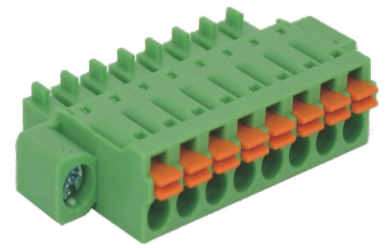
**Mating with headers**

CAHCH254 Series



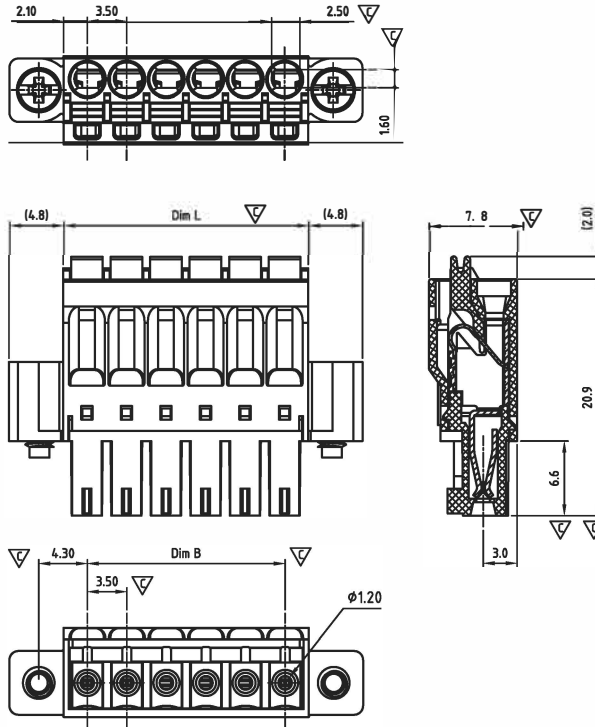
CAHCV254 Series





# CAPBFD350-SERIES

cULus E501953



Critical dimension:  $\nabla$

Dim.L=(P-1)x3.5+4.2		
Dim.B=(P-1)x3.5		
P=Number of poles (02-24)		
	Dim B	Dim L
0-30mm	+/- 0,15	+/- 0,20
over 30-60mm	+/- 0,20	+/- 0,25
over 60-90mm	+/- 0,25	+/- 0,30
over 90mm	+/- 0,30	+/- 0,40

Tolerance	
x	+/- 0,50
x.x	+/- 0,30
x.xx	+/- 0,10
x°	+/- 1°
$\nabla$	Units:mm

Pitch 3,50mm

## Technical data

Technical data in accordance with UL/CUL

	Use Group	B	C	D
Nominal voltage (V)	150	-	-	150
Nominal current (A)	8	-	-	8
Connection capacity(AWG)	24-16	-	-	24-16

Technical data in accordance with IEC

Rated insulation voltage at pollution degree 2 (V)	160
Rated current/conductor cross-section (A/mm <sup>2</sup> )	8 / 1.5
Solid /stranded(mm <sup>2</sup> )	0.2-1.5 / 0.2-1.5
Surge voltage category/pollution degree	III / 3 III / 2 II / 2
Rated insulation voltage(V)	160 160 320
Rated surge voltage(kV)	2.5 2.5 2.5

General data

Stripping length(mm)	9-10
Flange Screw thread	M2.5
Flange Screw tightening torque(Nm)	Max.0.3
Insulation Withstanding Voltage	AC1300V / 1min
Insulation Resistance	1000M $\Omega$ or more at DC500V
Using temperature range	-40°C-115°C

Materials

Insulation material group	PA 66 I UL94 -V0
Wire guard	PhBz, Tin plated
Spring	Stainless steel
Flange Screw	Steel, Zn plated

## Packing information

Poles	Order Number	SPQ
2	CAPBFD35002x000	260
3	CAPBFD35003x000	220
4	CAPBFD35004x000	200
5	CAPBFD35005x000	210
6	CAPBFD35006x000	180
7	CAPBFD35007x000	150
8	CAPBFD35008x000	150
9	CAPBFD35009x000	120
10	CAPBFD35010x000	120
11	CAPBFD35011x000	120
12	CAPBFD35012x000	140
13	CAPBFD35013x000	90
14	CAPBFD35014x000	90
15	CAPBFD35015x000	90
16	CAPBFD35016x000	90
17	CAPBFD35017x000	60
18	CAPBFD35018x000	84
19	CAPBFD35019x000	60
20	CAPBFD35020x000	60
21	CAPBFD35021x000	60
22	CAPBFD35022x000	60
23	CAPBFD35023x000	60
24	CAPBFD35024x000	60

## Ordering code

CAP LD 350 xx x xxx

- ① Type
- ② Product style
- ③ Pitch
- ④ Poles (02-24)
- ⑤ Color
- ⑥ Standard 000 or Custom XXX

Color	
0 Black	5 Green
1 Brown	6 Blue
2 Red	G Pale grey
3 Orange	8 Dark grey
4 Yellow	9 White

## Key Commercial data

Custom tariff number	8536901000
Country of origin	CN (China)

## Mating with headers

CAHACH350 Series



CAHACV350 Series



CAHFCH350 Series



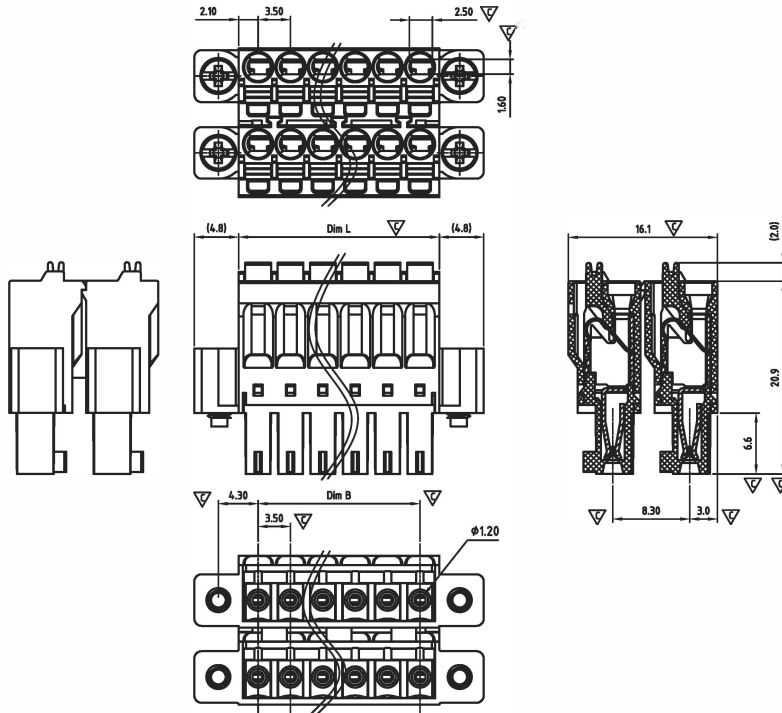
CAHFVC350 Series





## CAPBFD350-SERIES (with double-row plug)

cULus E501953



Critical dimension: ▽

Dim.L=(P-1)x3.5+4.2

Dim.B=(P-1)x3.5

P=1/2 Number of poles (04-48)

	Dim B	Dim L
0-30mm	+/- 0,15	+/- 0,20
over 30-60mm	+/- 0,20	+/- 0,25
over 60-90mm	+/- 0,25	+/- 0,30
over 90mm	+/- 0,30	+/- 0,40

Tolerance	
x	+/- 0,50
x.x	+/- 0,30
x.xx	+/- 0,10
x°	+/-1°
Units:mm	

### Technical data

Technical data in accordance with UL/CUL

	Use Group	B	C	D
Nominal voltage (V)	150	-	-	150
Nominal current (A)	8	-	-	8
Connection capacity(AWG)	24-16	-	-	24-16

Technical data in accordance with IEC

Rated insulation voltage at pollution degree 2 (V)	160		
Rated current/conductor cross-section (A/mm <sup>2</sup> )	8 / 1.5		
Solid/stranded(mm <sup>2</sup> )	0.2-1.5 / 0.2-1.5		
Surge voltage category / pollution degree	III / 3	III / 2	II / 2
Rated insulation voltage(V)	160	160	320
Rated surge voltage(kV)	2.5	2.5	2.5

General data

Stripping length(mm)	9-10
Flange Screw thread	M2.5
Flange Screw tightening torque(Nm)	Max.0.3
Insulation Withstanding Voltage	AC1300V / 1min
Insulation Resistance	1000MΩ or more at DC500V
Using temperature range	-40°C-115°C

Materials

Insulation material group	PA 66   UL94 -V0
Wire guard	PhBz, Tin plated
Spring	Stainless steel
Flange Screw	Steel, Zn plated

### Packing information

Poles	Order Number	SPQ
2*2	CAPBFD35004xD00	180
2*3	CAPBFD35006xD00	135
2*4	CAPBFD35008xD00	120
2*5	CAPBFD35010xD00	105
2*6	CAPBFD35012xD00	90
2*7	CAPBFD35014xD00	75
2*8	CAPBFD35016xD00	75
2*9	CAPBFD35018xD00	60
2*10	CAPBFD35020xD00	60
2*11	CAPBFD35022xD00	60
2*12	CAPBFD35024xD00	45
2*13	CAPBFD35026xD00	45
2*14	CAPBFD35028xD00	45
2*15	CAPBFD35030xD00	45
2*16	CAPBFD35032xD00	45
2*17	CAPBFD35034xD00	30
2*18	CAPBFD35036xD00	30
2*19	CAPBFD35038xD00	30
2*20	CAPBFD35040xD00	30
2*21	CAPBFD35042xD00	30
2*22	CAPBFD35044xD00	30
2*23	CAPBFD35046xD00	30
2*24	CAPBFD35048xD00	30

### Ordering code

CAPB FD 350 xx x D00

- ① Type
- ② Product style
- ③ Pitch
- ④ Poles (04-48)
- ⑤ Color
- ⑥ Standard D00 or Custom XXX

Color

0 Black	5 Green
1 Brown	6 Blue
2 Red	7 Pale grey
3 Orange	8 Dark grey
4 Yellow	9 White

### Key Commercial data

Custom tariff number	8536901000
Country of origin	CN (China)

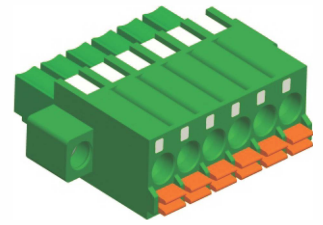
### Mating with headers

CAHFCH350 Series



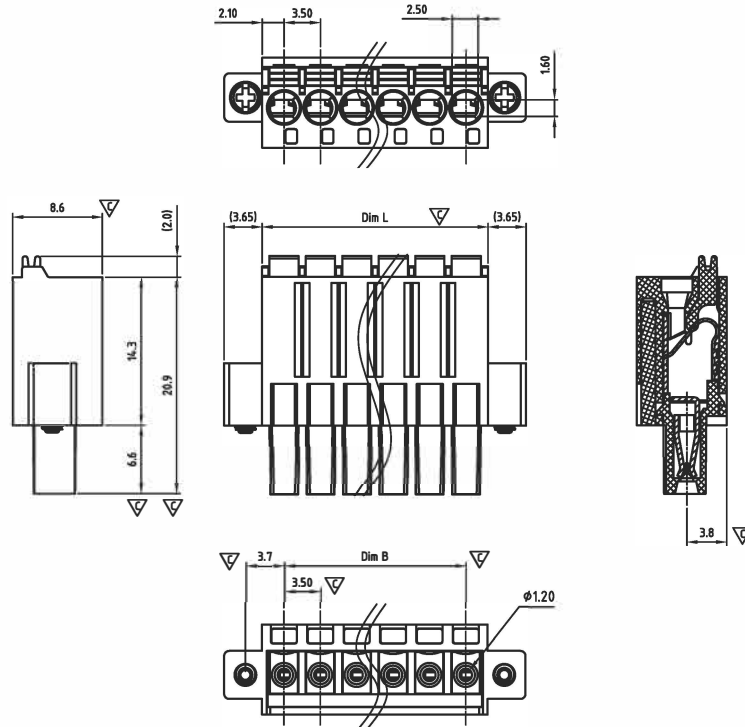
CAHFCV350 Series





## CAPBFD350-SERIES (with light guide)

cULus E501953



Critical dimension:  $\nabla$

Dim.L=(P-1)x3.5+4.2

Dim.B=(P-1)x3.5

P=Number of poles (02-24)

	Dim B	Dim L
0-30mm	+/- 0,15	+/- 0,20
over 30-60mm	+/- 0,20	+/- 0,25
over 60-90mm	+/- 0,25	+/- 0,30
over 90mm	+/- 0,30	+/- 0,40

Tolerance	
x	+/- 0,50
x.x	+/- 0,30
x.xx	+/- 0,10
x°	+/-1°

Units:mm

### Technical data

Technical data in accordance with UL/CUL

	Use Group	B	C	D
Nominal voltage (V)	150	-	-	150
Nominal current (A)	8	-	-	8
Connection capacity (AWG)	24-16	-	-	24-16

Technical data in accordance with IEC

Rated insulation voltage at pollution degree 2 (V)	160		
Rated current/conductor cross-section (A/mm <sup>2</sup> )	8 / 1.5		
Solid/stranded(mm <sup>2</sup> )	0.2-1.5 / 0.2-1.5		
Surge voltage category / pollution degree	III / 3	III / 2	II / 2
Rated insulation voltage(V)	160	160	320
Rated surge voltage(kV)	2.5	2.5	2.5

General data

Stripping length(mm)	9-10
Flange Screw thread	M2.5
Flange Screw tightening torque(Nm)	Max.0.3
Insulation Withstanding Voltage	AC1300V / 1min
Insulation Resistance	1000M $\Omega$ or more at DC500V
Using temperature range	-40°C-115°C

Materials

Insulation material group	PA 66   UL94 -V0
Wire guard	PhBz, Tin plated
Spring	Stainless steel
Flange Screw	Steel, Zn plated

### Packing information

Poles	Order Number	SPQ
2	CAPBFD35002xL00	260
3	CAPBFD35003xL00	220
4	CAPBFD35004xL00	200
5	CAPBFD35005xL00	210
6	CAPBFD35006xL00	180
7	CAPBFD35007xL00	150
8	CAPBFD35008xL00	150
9	CAPBFD35009xL00	120
10	CAPBFD35010xL00	120
11	CAPBFD35011xL00	120
12	CAPBFD35012xL00	140
13	CAPBFD35013xL00	90
14	CAPBFD35014xL00	90
15	CAPBFD35015xL00	90
16	CAPBFD35016xL00	90
17	CAPBFD35017xL00	60
18	CAPBFD35018xL00	84
19	CAPBFD35019xL00	60
20	CAPBFD35020xL00	60
21	CAPBFD35021xL00	60
22	CAPBFD35022xL00	60
23	CAPBFD35023xL00	60
24	CAPBFD35024xL00	60

### Ordering code

CAPB FD 350 xx x L00

① ② ③ ④ ⑤ ⑥

- ① Type
- ② Product style
- ③ Pitch
- ④ Poles (02-24)
- ⑤ Color
- ⑥ Standard 000 or Custom XXX

Color

0 Black	5 Green
1 Brown	6 Blue
2 Red	G Pale grey
3 Orange	8 Dark grey
4 Yellow	9 White

### Key Commercial data

Custom tariff number	8536901000
Country of origin	CN (China)

### Mating with headers

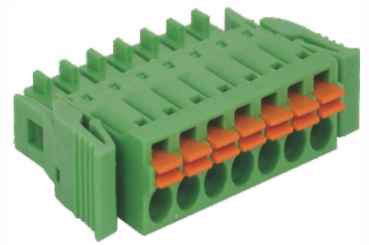
CAHACH350xxxL00 Series



CAHACV350xxxL00 Series

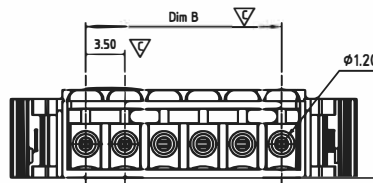
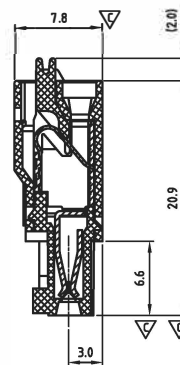
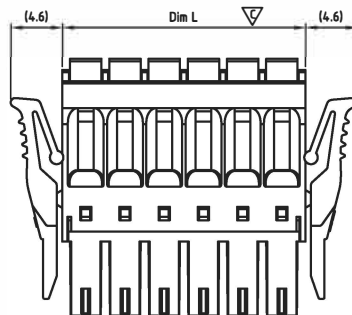
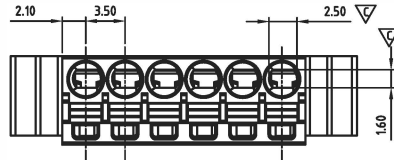






CAPBLD350-SERIES

cULus E501953



Critical dimension:  $\nabla$

Dim.L=(P-1)x3.5+4.2

Dim.B=(P-1)x3.5

P=Number of poles (02-24)

	Dim B	Dim L
0-30mm	+/- 0,15	+/- 0,20
over 30-60mm	+/- 0,20	+/- 0,25
over 60-90mm	+/- 0,25	+/- 0,30
over 90mm	+/- 0,30	+/- 0,40

Tolerance	
x	+/- 0,50
x.x	+/- 0,30
x.xx	+/- 0,10
x°	+/- 1°

Units:mm

Technical data

Technical data in accordance with UL/CUL

	Use Group	B	C	D
Nominal voltage (V)	150	-	-	150
Nominal current (A)	8	-	-	8
Connection capacity(AWG)	24-16	-	-	24-16

Technical data in accordance with IEC

Rated insulation voltage at pollution degree 2 (V)	160
Rated current/conductor cross-section (A/mm <sup>2</sup> )	8 / 1.5
Solid /stranded(mm <sup>2</sup> )	0.2-1.5 /0.2-1.5
Surge voltage category/pollution degree	III / 3 III / 2 II / 2
Rated insulation voltage(V)	160 160 320
Rated surge voltage(kV)	2.5 2.5 2.5

General data

Stripping length(mm)	9-10
Flange Screw thread	-
Flange Screw tightening torque(Nm)	-
Insulation Withstanding Voltage	AC1300V / 1min
Insulation Resistance	1000M $\Omega$ or more at DC500V
Using temperature range	-40°C-115°C

Materials

Insulation material group	PA 66 I UL94 -V0
Wire guard	PhBz, Tin plated
Spring	Stainless steel
Flange Screw	-

Packing information

Poles	Order Number	SPQ
2	CAPBLD35002x000	260
3	CAPBLD35003x000	220
4	CAPBLD35004x000	200
5	CAPBLD35005x000	210
6	CAPBLD35006x000	180
7	CAPBLD35007x000	150
8	CAPBLD35008x000	150
9	CAPBLD35009x000	120
10	CAPBLD35010x000	120
11	CAPBLD35011x000	120
12	CAPBLD35012x000	140
13	CAPBLD35013x000	90
14	CAPBLD35014x000	90
15	CAPBLD35015x000	90
16	CAPBLD35016x000	90
17	CAPBLD35017x000	60
18	CAPBLD35018x000	84
19	CAPBLD35019x000	60
20	CAPBLD35020x000	60
21	CAPBLD35021x000	60
22	CAPBLD35022x000	60
23	CAPBLD35023x000	60
24	CAPBLD35024x000	60

Ordering code

CAPB LD 350 xx x xxx  
 ① ② ③ ④ ⑤ ⑥

- ① Type
- ② Product style
- ③ Pitch
- ④ Poles (02-24)
- ⑤ Color
- ⑥ Standard 000 or Custom XXX

Color	
0 Black	5 Green
1 Brown	6 Blue
2 Red	G Pale grey
3 Orange	8 Dark grey
4 Yellow	9 White

Key Commercial data

Custom tariff number	8536901000
Country of origin	CN (China)

Mating with headers

CAHFDH350 Series



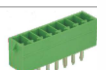
CAHFDV350 Series

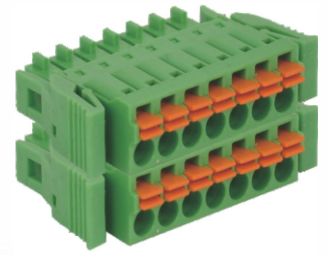


CAHADH350 Series



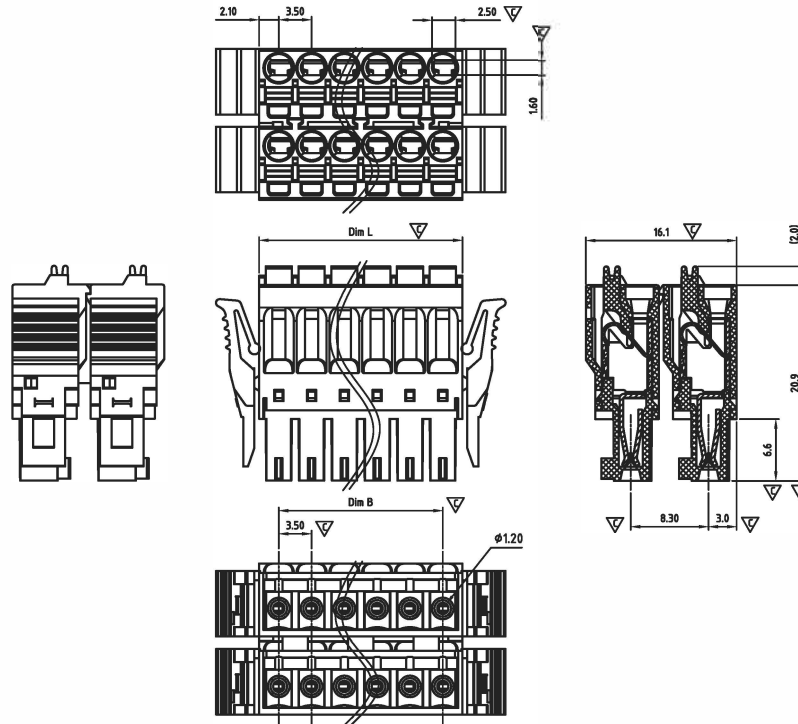
CAHADV350 Series





## CAPBLD350-SERIES (with double-row plug)

cULus E501953



Critical dimension:  $\nabla$

Dim.L=(P-1)x3.5+4.2

Dim.B=(P-1)x3.5

P=1/2 Number of poles (04-48)

	Dim B	Dim L
0-30mm	+/- 0,15	+/- 0,20
over 30-60mm	+/- 0,20	+/- 0,25
over 60-90mm	+/- 0,25	+/- 0,30
over 90mm	+/- 0,30	+/- 0,40

Tolerance	
x	+/- 0,50
x.x	+/- 0,30
x.xx	+/- 0,10
x°	+/-1°
	Units:mm

### Technical data

Technical data in accordance with UL/CUL

	Use Group	B	C	D
Nominal voltage (V)	150	-	-	150
Nominal current (A)	8	-	-	8
Connection capacity (AWG)	24-16	-	-	24-16

Technical data in accordance with IEC

Rated insulation voltage at pollution degree 2 (V)	160		
Rated current/conductor cross-section (A/mm <sup>2</sup> )	8 / 1.5		
Solid/stranded(mm <sup>2</sup> )	0.2-1.5 / 0.2-1.5		
Surge voltage category / pollution degree	III / 3	III / 2	II / 2
Rated insulation voltage(V)	160	160	320
Rated surge voltage(kV)	2.5	2.5	2.5

General data

Stripping length(mm)	9-10
Flange Screw thread	-
Flange Screw tightening torque(Nm)	-
Insulation Withstanding Voltage	AC1300V / 1min
Insulation Resistance	1000M $\Omega$ or more at DC500V
Using temperature range	-40°C-115°C

Materials

Insulation material group	PA 66   UL94 -V0
Wire guard	PhBz, Tin plated
Spring	Stainless steel
Flange Screw	-

### Packing information

Poles	Order Number	SPQ
2*2	CAPBLD35004xD00	180
2*3	CAPBLD35006xD00	135
2*4	CAPBLD35008xD00	120
2*5	CAPBLD35010xD00	105
2*6	CAPBLD35012xD00	90
2*7	CAPBLD35014xD00	75
2*8	CAPBLD35016xD00	75
2*9	CAPBLD35018xD00	60
2*10	CAPBLD35020xD00	60
2*11	CAPBLD35022xD00	60
2*12	CAPBLD35024xD00	45
2*13	CAPBLD35026xD00	45
2*14	CAPBLD35030xD00	45
2*15	CAPBLD35032xD00	45
2*16	CAPBLD35033xD00	45
2*17	CAPBLD35034xD00	30
2*18	CAPBLD35036xD00	30
2*19	CAPBLD35038xD00	30
2*20	CAPBLD35040xD00	30
2*21	CAPBLD35042xD00	30
2*22	CAPBLD35044xD00	30
2*23	CAPBLD35046xD00	30
2*24	CAPBLD35048xD00	30

### Ordering code

**CAP LD 350 xx x D00**

① ② ③ ④ ⑤ ⑥

- ① Type
- ② Product style
- ③ Pitch
- ④ Poles (04-48)
- ⑤ Color
- ⑥ Standard D00 or Custom XXX

Color

0 Black	5 Green
1 Brown	6 Blue
2 Red	G Pale grey
3 Orange	8 Dark grey
4 Yellow	9 White

### Key Commercial data

Custom tariff number	8536901000
Country of origin	CN (China)

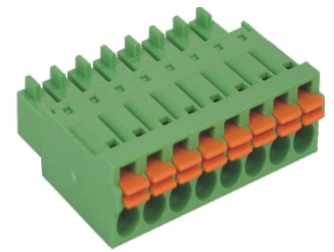
### Mating with headers

CAHFDH350 Series



CAHFDV350 Series

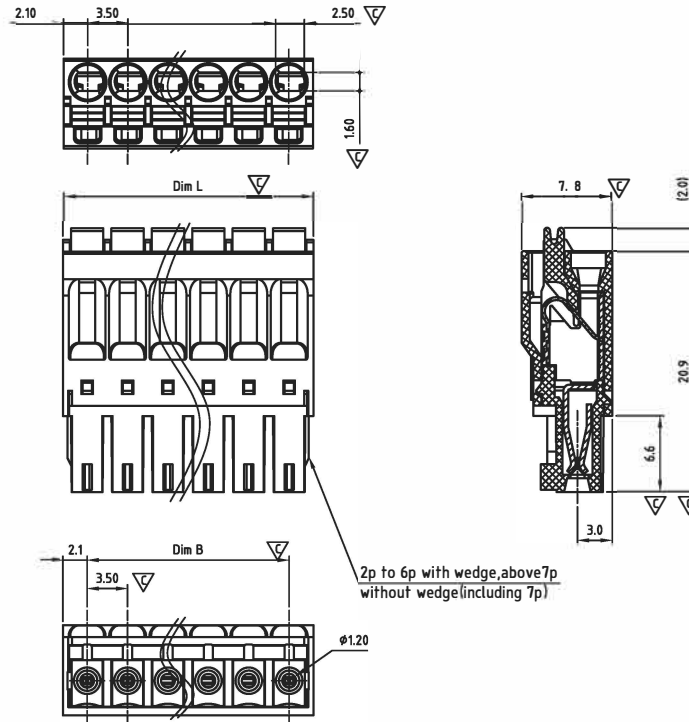




CAPBSD350-SERIES

Pitch 3,50mm

cULus E501953



Critical dimension: ▽

Dim.L=(P-1)x3.5+4.2

Dim.B=(P-1)x3.5

P=Number of poles (02-24)

	Dim B	Dim L
0-30mm	+/- 0,15	+/- 0,20
over 30-60mm	+/- 0,20	+/- 0,25
over 60-90mm	+/- 0,25	+/- 0,30
over 90mm	+/- 0,30	+/- 0,40

Tolerance	
x	+/- 0,50
x.x	+/- 0,30
x.xx	+/- 0,10
x°	+/- 1°
⊕	Units:mm

Technical data

Technical data in accordance with UL/CUL

	Use Group	B	C	D
Nominal voltage (V)	150	-	-	150
Nominal current (A)	8	-	-	8
Connection capacity(AWG)	24-16	-	-	24-16

Technical data in accordance with IEC

Rated insulation voltage at pollution degree 2 (V)	160
Rated current/conductor cross-section (A/mm <sup>2</sup> )	8 / 1.5
Solid/stranded(mm <sup>2</sup> )	0.2-1.5 / 0.2-1.5
Surge voltage category/pollution degree	III / 3 III / 2 II / 2
Rated insulation voltage(V)	160 160 320
Rated surge voltage(kV)	2.5 2.5 2.5

General data

Stripping length(mm)	9-10
Flange Screw thread	-
Flange Screw tightening torque(Nm)	-
Insulation Withstanding Voltage	AC1300V / 1min
Insulation Resistance	1000MΩ or more at DC500V
Using temperature range	-40°C-115°C

Materials

Insulation material group	PA 66 I UL94 -V0
Wire guard	PhBz, Tin plated
Spring	Stainless steel
Flange Screw	-

Packing information

Poles	Order Number	SPQ
2	CAPBSD35002x000	600
3	CAPBSD35003x000	420
4	CAPBSD35004x000	400
5	CAPBSD35005x000	350
6	CAPBSD35006x000	280
7	CAPBSD35007x000	180
8	CAPBSD35008x000	210
9	CAPBSD35009x000	175
10	CAPBSD35010x000	175
11	CAPBSD35011x000	140
12	CAPBSD35012x000	140
13	CAPBSD35013x000	140
14	CAPBSD35014x000	140
15	CAPBSD35015x000	105
16	CAPBSD35016x000	105
17	CAPBSD35017x000	105
18	CAPBSD35018x000	105
19	CAPBSD35019x000	105
20	CAPBSD35020x000	70
21	CAPBSD35021x000	70
22	CAPBSD35022x000	70
23	CAPBSD35023x000	70
24	CAPBSD35024x000	70

Ordering code

CAP SD 350 xx x xxx  
① ② ③ ④ ⑤ ⑥

- ① Type
- ② Product style
- ③ Pitch
- ④ Poles (02-24)
- ⑤ Color
- ⑥ Standard 000 or Custom XXX

Color

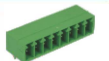
0 Black	5 Green
1 Brown	6 Blue
2 Red	7 Pale grey
3 Orange	8 Dark grey
4 Yellow	9 White

Key Commercial data

Custom tariff number	8536901000
Country of origin	CN (China)

Mating with headers

CAHABH350 Series



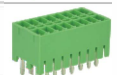
CAHABV350 Series

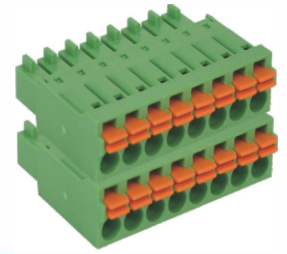


CAHFBH350 Series



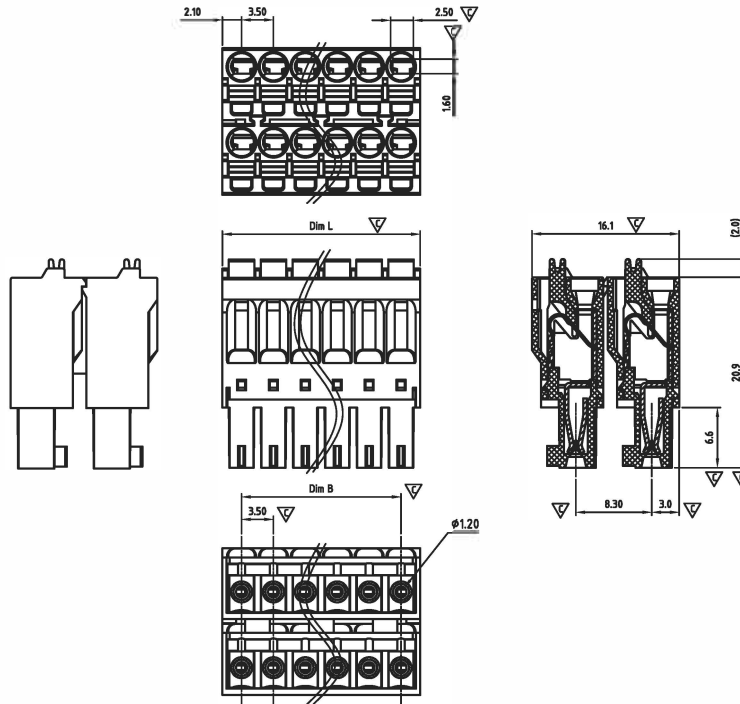
CAHFBV350 Series





## CAPBSD350-SERIES (with double-row plug)

cULus E501953



Critical dimension:  $\nabla$

Dim.L=(P-1)x3.5+4.2

Dim.B=(P-1)x3.5

P=Number of poles (02-24)

	Dim B	Dim L
0-30mm	+/- 0,15	+/- 0,20
over 30-60mm	+/- 0,20	+/- 0,25
over 60-90mm	+/- 0,25	+/- 0,30
over 90mm	+/- 0,30	+/- 0,40

Tolerance	
x	+/- 0,50
x.x	+/- 0,30
x.xx	+/- 0,10
x°	+/- 1°
$\phi$	Units:mm

### Technical data

Technical data in accordance with UL/CUL

	Use Group	B	C	D
Nominal voltage (V)	150	-	-	150
Nominal current (A)	8	-	-	8
Connection capacity(AWG)	24-16	-	-	24-16

Technical data in accordance with IEC

Rated insulation voltage at pollution degree 2 (V)	160
Rated current/conductor cross-section (A/mm <sup>2</sup> )	8 / 1.5
Solid/stranded(mm <sup>2</sup> )	0.2-1.5 / 0.2-1.5
Surge voltage category / pollution degree	III / 3 III / 2 II / 2
Rated insulation voltage(V)	160 160 320
Rated surge voltage(kV)	2.5 2.5 2.5

General data

Stripping length(mm)	9-10
Flange Screw thread	-
Flange Screw tightening torque(Nm)	-
Insulation Withstanding Voltage	AC1300V / 1min
Insulation Resistance	1000M $\Omega$ or more at DC500V
Using temperature range	-40°C-115°C

Materials

Insulation material group	PA 66 I UL94 -V0
Wire guard	PhBz, Tin plated
Spring	Stainless steel
Flange Screw	-

### Packing information

Poles	Order Number	SPQ
2*2	CAPBSD35004xD00	320
2*3	CAPBSD35006xD00	220
2*4	CAPBSD35008xD00	150
2*5	CAPBSD35010xD00	165
2*6	CAPBSD35012xD00	135
2*7	CAPBSD35014xD00	120
2*8	CAPBSD35016xD00	100
2*9	CAPBSD35018xD00	90
2*10	CAPBSD35020xD00	75
2*11	CAPBSD35022xD00	75
2*12	CAPBSD35024xD00	60
2*13	CAPBSD35026xD00	60
2*14	CAPBSD35028xD00	60
2*15	CAPBSD35030xD00	45
2*16	CAPBSD35032xD00	45
2*17	CAPBSD35034xD00	45
2*18	CAPBSD35036xD00	45
2*19	CAPBSD35038xD00	45
2*20	CAPBSD35040xD00	30
2*21	CAPBSD35042xD00	30
2*22	CAPBSD35044xD00	30
2*23	CAPBSD35046xD00	30
2*24	CAPBSD35048xD00	30

### Ordering code

CAP SD 350 xx x D00

① ② ③ ④ ⑤ ⑥

- ① Type
- ② Product style
- ③ Pitch
- ④ Poles (02-24)
- ⑤ Color
- ⑥ Standard D00 or Custom XXX

Color

0 Black	5 Green
1 Brown	6 Blue
2 Red	7 Pale grey
3 Orange	8 Dark grey
4 Yellow	9 White

### Key Commercial data

Custom tariff number	8536901000
Country of origin	CN (China)

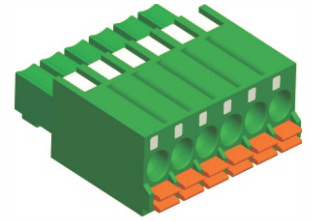
### Mating with headers

CAHFBH350 Series



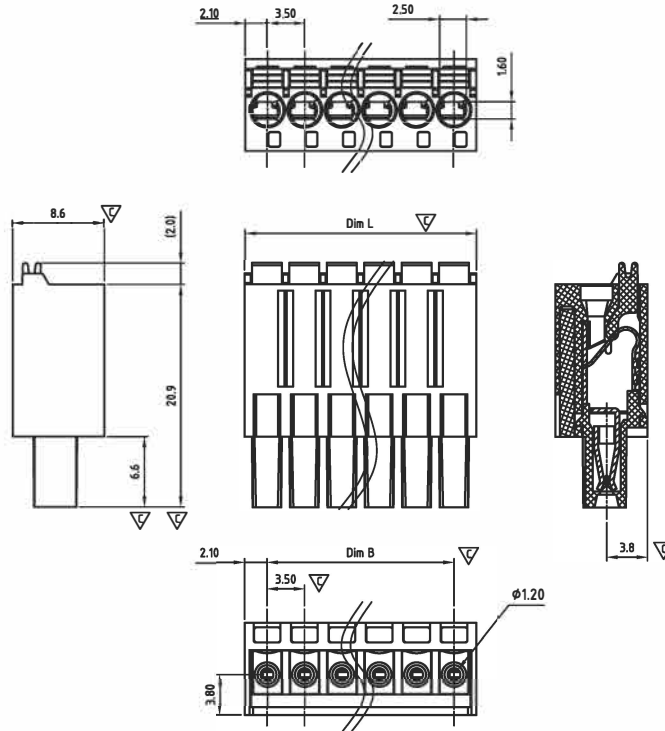
CAHFBV350 Series





## CAPBSD350-SERIES (with light guide)

cULus E501953



Critical dimension:  $\nabla$

Dim.L=(P-1)x3.5+4.2

Dim.B=(P-1)x3.5

P=Number of poles (02-24)

	Dim B	Dim L
0-30mm	+/- 0,15	+/- 0,20
over 30-60mm	+/- 0,20	+/- 0,25
over 60-90mm	+/- 0,25	+/- 0,30
over 90mm	+/- 0,30	+/- 0,40

Tolerance	
x	+/- 0,50
x.x	+/- 0,30
x.xx	+/- 0,10
x°	+/-1°
$\varnothing$	Units:mm

### Technical data

Technical data in accordance with UL/CUL

	Use Group	B	C	D
Nominal voltage (V)	150	-	150	
Nominal current (A)	8	-	8	
Connection capacity(AWG)	24-16	-	24-16	

Technical data in accordance with IEC

Rated insulation voltage at pollution degree 2 (V)	160
Rated current/conductor cross-section (A/mm <sup>2</sup> )	8 / 1.5
Solid/stranded(mm <sup>2</sup> )	0.2-1.5 / 0.2-1.5
Surge voltage category /pollution degree	III / 3 III / 2 II / 2
Rated insulation voltage(V)	160 160 320
Rated surge voltage(kV)	2.5 2.5 2.5

General data

Stripping length(mm)	9-10
Flange Screw thread	-
Flange Screw tightening torque(Nm)	-
Insulation Withstanding Voltage	AC1300V / 1min
Insulation Resistance	1000M $\Omega$ or more at DC500V
Using temperature range	-40°C-115°C

Materials

Insulation material group	PA 66 I UL94 -V0
Wire guard	PhBz, Tin plated
Spring	Stainless steel
Flange Screw	-

### Packing information

Poles	Order Number	SPQ
2	CAPBSD35002xL00	600
3	CAPBSD35003xL00	420
4	CAPBSD35004xL00	400
5	CAPBSD35005xL00	350
6	CAPBSD35006xL00	280
7	CAPBSD35007xL00	180
8	CAPBSD35008xL00	210
9	CAPBSD35009xL00	175
10	CAPBSD35010xL00	175
11	CAPBSD35011xL00	140
12	CAPBSD35012xL00	140
13	CAPBSD35013xL00	140
14	CAPBSD35014xL00	140
15	CAPBSD35015xL00	105
16	CAPBSD35016xL00	105
17	CAPBSD35017xL00	105
18	CAPBSD35018xL00	105
19	CAPBSD35019xL00	105
20	CAPBSD35020xL00	70
21	CAPBSD35021xL00	70
22	CAPBSD35022xL00	70
23	CAPBSD35023xL00	70
24	CAPBSD35024xL00	70

### Ordering code

**CAP SD 350 xx x L00**

- ① Type
- ② Product style
- ③ Pitch
- ④ Poles (02-24)
- ⑤ Color
- ⑥ Standard 000 or Custom XXX

Color

0 Black	5 Green
1 Brown	6 Blue
2 Red	G Pale grey
3 Orange	8 Dark grey
4 Yellow	9 White

### Key Commercial data

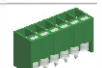
Custom tariff number	8536901000
Country of origin	CN (China)

### Mating with headers

CAHABH350xxxL00 Series



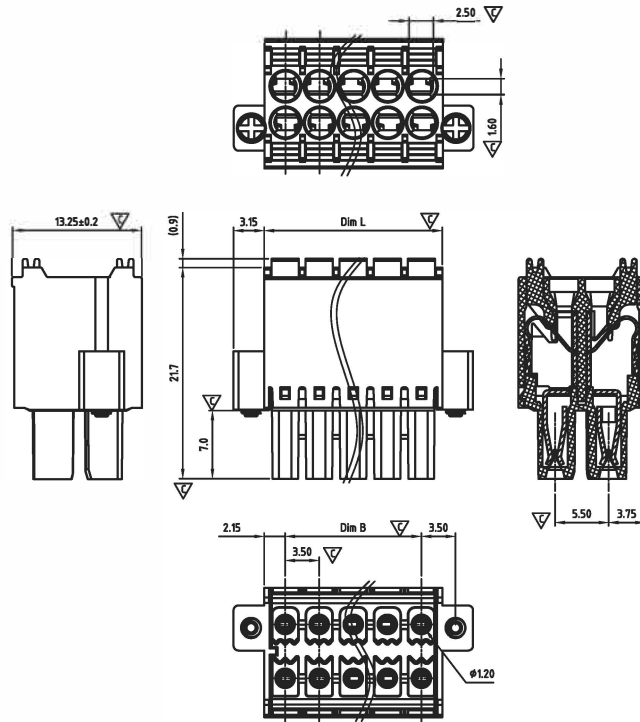
CAHABV350xxxL00 Series





## CAPDFD350-SERIES

cULus E501953



Critical dimension: ▽

Dim.L=(P-1)×3.5+4.3

Dim.B=(P-1)×3.5

P=Number of poles (04-48)

	Dim B	Dim L
0-30mm	+/- 0,15	+/- 0,20
over 30-60mm	+/- 0,20	+/- 0,25
over 60-90mm	+/- 0,25	+/- 0,30
over 90mm	+/- 0,30	+/- 0,40

Tolerance	
x	+/- 0,50
x.x	+/- 0,30
x.xx	+/- 0,10
x°	+/- 1°
	Units:mm

### Technical data

Technical data in accordance with UL/CUL

	Use Group	B	C	D
Nominal voltage (V)		300	50	300
Nominal current (A)		8	8	8
Connection capacity (AWG)		24-16	24-16	24-16

Technical data in accordance with IEC

Rated insulation voltage at pollution degree 2 (V)	160		
Rated current/conductor cross-section (A/mm <sup>2</sup> )	8 / 1.5		
Solid/stranded (mm <sup>2</sup> )	0.2-1.5 / 0.2-1.5		
Surge voltage category/pollution degree	III / 3	III / 2	II / 2
Rated insulation voltage (V)	160	160	320
Rated surge voltage (kV)	2.5	2.5	2.5

General data

Stripping length (mm)	9-10
Flange Screw thread	M2.5
Flange Screw tightening torque (Nm)	Max.0.3
Insulation Withstanding Voltage	AC1600V / 1min
Insulation Resistance	1000MΩ or more at DC500V
Using temperature range	-40°C-115°C

Materials

Insulation material group	PA 66   UL94 -V0
Wire guard	PhBz, Tin plated
Spring	Stainless steel
Flange Screw	Steel, Zn plated

### Packing information

Poles	Order Number	SPQ
2*2	CAPDFD35004x000	200
2*3	CAPDFD35006x000	150
2*4	CAPDFD35008x000	120
2*5	CAPDFD35010x000	120
2*6	CAPDFD35012x000	105
2*7	CAPDFD35014x000	90
2*8	CAPDFD35016x000	75
2*9	CAPDFD35018x000	75
2*10	CAPDFD35020x000	60
2*11	CAPDFD35022x000	60
2*12	CAPDFD35024x000	60
2*13	CAPDFD35026x000	45
2*14	CAPDFD35028x000	45
2*15	CAPDFD35030x000	45
2*16	CAPDFD35032x000	45
2*17	CAPDFD35034x000	45
2*18	CAPDFD35036x000	30
2*19	CAPDFD35038x000	30
2*20	CAPDFD35040x000	30
2*21	CAPDFD35042x000	30
2*22	CAPDFD35044x000	30
2*23	CAPDFD35046x000	30
2*24	CAPDFD35484x000	30

### Ordering code

CAPDFD 350 xx x xxx

① ② ③ ④ ⑤ ⑥

- ① Type
- ② Product style
- ③ Pitch
- ④ Poles (04-48)
- ⑤ Color
- ⑥ Standard 000 or Custom XXX

Color

0 Black	5 Green
1 Brown	6 Blue
2 Red	G Pale grey
3 Orange	8 Dark grey
4 Yellow	9 White

### Key Commercial data

Custom tariff number	8536901000
Country of origin	CN (China)

### Mating with headers

CAHGCH350 Series



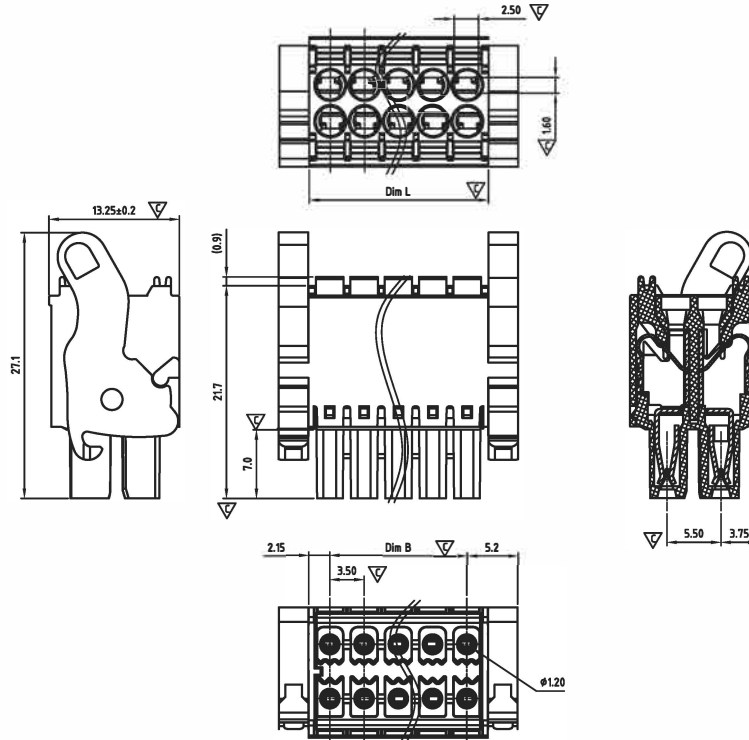
CAHGCV350 Series





## CAPDFD350-SERIES (latch type)

cULus E501953



Critical dimension: ▽

Dim.L=(P-1)×3.5+4.3

Dim.B=(P-1)×3.5

P=Number of poles (04-48)

	Dim B	Dim L
0-30mm	+/- 0,15	+/- 0,20
over 30-60mm	+/- 0,20	+/- 0,25
over 60-90mm	+/- 0,25	+/- 0,30
over 90mm	+/- 0,30	+/- 0,40

Tolerance	
x	+/- 0,50
x.x	+/- 0,30
x.xx	+/- 0,10
x°	+/-1°
⊕	Units:mm

### Technical data

Technical data in accordance with UL/CUL

	Use Group	B	C	D
Nominal voltage (V)		300	50	300
Nominal current (A)		8	8	8
Connection capacity (AWG)		24-16	24-16	24-16

Technical data in accordance with IEC

Rated insulation voltage at pollution degree 2 (V)	160		
Rated current/conductor cross-section (A/mm <sup>2</sup> )	8 / 1.5		
Solid/stranded(mm <sup>2</sup> )	0.2-1.5 / 0.2-1.5		
Surge voltage category/pollution degree	III / 3	III / 2	II / 2
Rated insulation voltage(V)	160	160	320
Rated surge voltage(kV)	2.5	2.5	2.5

General data

Stripping length(mm)	9-10
Flange Screw thread	M2.5
Flange Screw tightening torque(Nm)	Max.0.3
Insulation Withstanding Voltage	AC1600V / 1min
Insulation Resistance	1000MΩ or more at DC500V
Using temperature range	-40°C-115°C

Materials

Insulation material group	PA 66   UL94 -V0
Wire guard	PhBz, Tin plated
Spring	Stainless steel
Flange Screw	Steel, Zn plated

### Packing information

Poles	Order Number	SPQ
2*2	CAPDFD35004xL00	200
2*3	CAPDFD35006xL00	150
2*4	CAPDFD35008xL00	120
2*5	CAPDFD35010xL00	120
2*6	CAPDFD35012xL00	105
2*7	CAPDFD35014xL00	90
2*8	CAPDFD35016xL00	75
2*9	CAPDFD35018xL00	75
2*10	CAPDFD35020xL00	60
2*11	CAPDFD35022xL00	60
2*12	CAPDFD35024xL00	60
2*13	CAPDFD35026xL00	45
2*14	CAPDFD35028xL00	45
2*15	CAPDFD35030xL00	45
2*16	CAPDFD35032xL00	45
2*17	CAPDFD35034xL00	45
2*18	CAPDFD35036xL00	30
2*19	CAPDFD35038xL00	30
2*20	CAPDFD35040xL00	30
2*21	CAPDFD35042xL00	30
2*22	CAPDFD35044xL00	30
2*23	CAPDFD35046xL00	30
2*24	CAPDFD35484xL00	30

### Ordering code

CAPD FD 350 xx x Lxx

① ② ③ ④ ⑤ ⑥

- ① Type
- ② Product style
- ③ Pitch
- ④ Poles (04-48)
- ⑤ Color
- ⑥ Standard L00 or Custom LXX With latch type

Color

0 Black	5 Green
1 Brown	6 Blue
2 Red	G Pale grey
3 Orange	8 Dark grey
4 Yellow	9 White

### Key Commercial data

Custom tariff number	8536901000
Country of origin	CN (China)

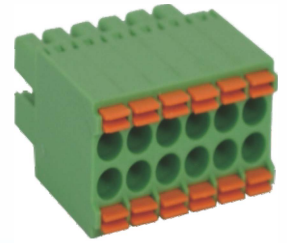
### Mating with headers

CAHGCH350 Series



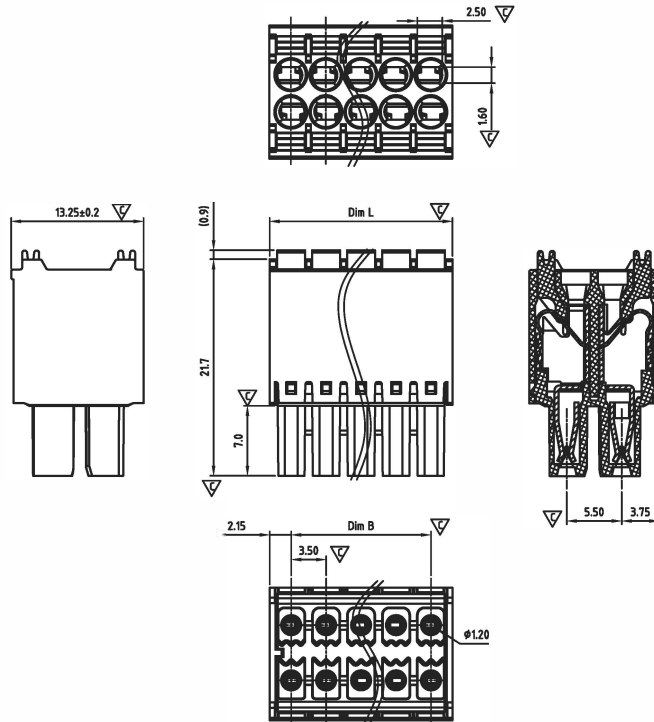
CAHGCV350 Series





## CAPDSD350-SERIES

cULus E501953



Critical dimension:  $\nabla$

Dim.L=(P-1)x3.5+4.3

Dim.B=(P-1)x3.5

P=Number of poles (04-48)

	Dim B	Dim L
0-30mm	+/- 0,15	+/- 0,20
over 30-60mm	+/- 0,20	+/- 0,25
over 60-90mm	+/- 0,25	+/- 0,30
over 90mm	+/- 0,30	+/- 0,40

Tolerance	
x.	+/- 0,50
x.x	+/- 0,30
x.xx	+/- 0,10
x°	+/- 1°
	Units:mm

### Technical data

Technical data in accordance with UL/CUL

	Use Group	B	C	D
Nominal voltage (V)		300	50	300
Nominal current (A)		8	8	8
Connection capacity(AWG)		24-16	24-16	24-16

Technical data in accordance with IEC

Rated insulation voltage at pollution degree 2 (V)	160		
Rated current/conductor cross-section (A/mm <sup>2</sup> )	8 / 1.5		
Solid/stranded(mm <sup>2</sup> )	0.2-1.5 / 0.2-1.5		
Surge voltage category/pollution degree	III / 3	III / 2	II / 2
Rated insulation voltage(V)	160	160	320
Rated surge voltage(kV)	2.5	2.5	2.5

General data

Stripping length(mm)	9-10
Flange Screw thread	-
Flange Screw tightening torque(Nm)	-
Insulation Withstanding Voltage	AC1600V / 1min
Insulation Resistance	1000M $\Omega$ or more at DC500V
Using temperature range	-40°C-115°C

Materials

Insulation material group	PA 66   UL94 -V0
Wire guard	PhBz, Tin plated
Spring	Stainless steel
Flange Screw	-

### Packing information

Poles	Order Number	SPQ
2*2	CAPDSD35004x000	250
2*3	CAPDSD35006x000	200
2*4	CAPDSD35008x000	170
2*5	CAPDSD35010x000	165
2*6	CAPDSD35012x000	135
2*7	CAPDSD35014x000	120
2*8	CAPDSD35016x000	105
2*9	CAPDSD35018x000	90
2*10	CAPDSD35020x000	75
2*11	CAPDSD35022x000	75
2*12	CAPDSD35024x000	60
2*13	CAPDSD35026x000	60
2*14	CAPDSD35028x000	60
2*15	CAPDSD35030x000	45
2*16	CAPDSD35032x000	45
2*17	CAPDSD35034x000	45
2*18	CAPDSD35036x000	45
2*19	CAPDSD35038x000	45
2*20	CAPDSD35040x000	30
2*21	CAPDSD35042x000	30
2*22	CAPDSD35044x000	30
2*23	CAPDSD35046x000	30
2*24	CAPDSD35048x000	30

### Ordering code

CAPD SD 350 xx x xxx  
① ② ③ ④ ⑤ ⑥

- ① Type
- ② Product style
- ③ Pitch
- ④ Poles (04-48)
- ⑤ Color
- ⑥ Standard 000 or Custom XXX

Color

0 Black	5 Green
1 Brown	6 Blue
2 Red	G Pale grey
3 Orange	8 Dark grey
4 Yellow	9 White

### Key Commercial data

Custom tariff number	8536901000
Country of origin	CN (China)

### Mating with headers

CAHGBH350 Series



CAHGBV350 Series

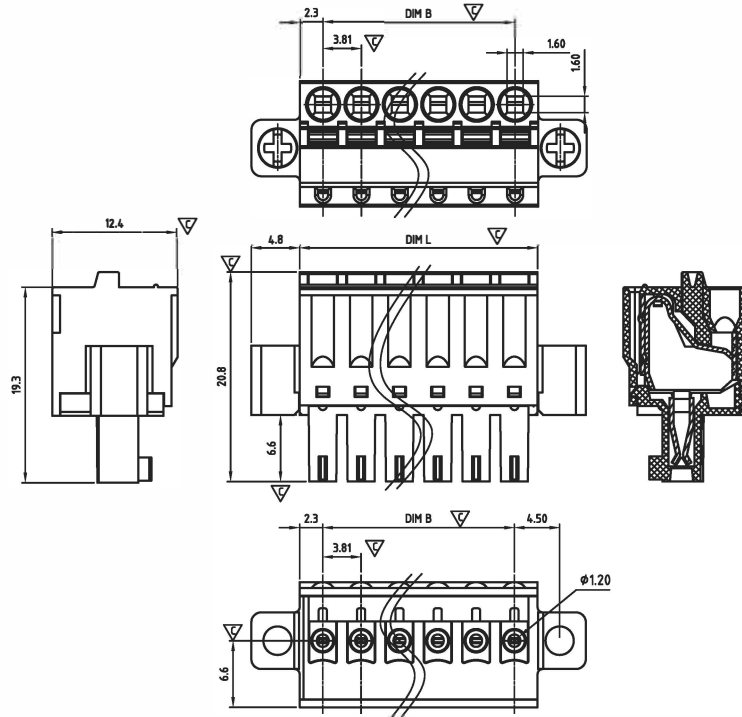






## CAPAFT381-SERIES

cULus E501953



Critical dimension:  $\nabla$

Dim.L=(P-1)x3.81+4.61

Dim.B=(P-1)x3.81

P=Number of poles (02-24)

	Dim B	Dim L
0-30mm	+/- 0,15	+/- 0,20
over 30-60mm	+/- 0,20	+/- 0,25
over 60-90mm	+/- 0,25	+/- 0,30
over 90mm	+/- 0,30	+/- 0,40

Tolerance	
x	+/- 0,50
x.x	+/- 0,30
x.xx	+/- 0,10
x°	+/-1°
$\varnothing$	Units:mm

### Technical data

Technical data in accordance with UL/CUL

	Use Group	B	C	D
Nominal voltage (V)	300	-	-	-
Nominal current (A)	8	-	-	-
Connection capacity (AWG)	28-16	-	-	-

Technical data in accordance with IEC

Rated insulation voltage at pollution degree 2 (V)	160		
Rated current/conductor cross-section (A/mm <sup>2</sup> )	8 / 1.5		
Solid/stranded(mm <sup>2</sup> )	0.14-1.5 / 0.14-1.5		
Surge voltage category/pollution degree	III / 3	III / 2	II / 2
Rated insulation voltage(V)	160	160	320
Rated surge voltage(kV)	2.5	2.5	2.5

General data

Stripping length (mm)	8-9
Flange Screw thread	M2,5
Flange Screw tightening torque(Nm)	Max. 0.3
Insulation Withstanding Voltage	AC1600V / 1min
Insulation Resistance	1000M $\Omega$ or more at DC500V
Using temperature range	-40°C-115°C

Materials

Insulation material group	PA 66   UL94 -V0
Wire guard	PhBz, Tin plated
Spring	Stainless steel
Flange Screw	Steel, Zn plated

### Packing information

Poles	Order Number	SPQ
2	CAPAFT38102x000	250
3	CAPAFT38103x000	180
4	CAPAFT38104x000	170
5	CAPAFT38105x000	140
6	CAPAFT38106x000	130
7	CAPAFT38107x000	105
8	CAPAFT38108x000	105
9	CAPAFT38109x000	85
10	CAPAFT38110x000	85
11	CAPAFT38111x000	80
12	CAPAFT38112x000	70
13	CAPAFT38113x000	70
14	CAPAFT38114x000	60
15	CAPAFT38115x000	50
16	CAPAFT38116x000	50
17	CAPAFT38117x000	50
18	CAPAFT38118x000	50
19	CAPAFT38119x000	50
20	CAPAFT38120x000	40
21	CAPAFT38121x000	40
22	CAPAFT38122x000	40
23	CAPAFT38123x000	40
24	CAPAFT38124x000	40

### Ordering code

CAPA FT 381 xx x xxx  
① ② ③ ④ ⑤ ⑥

- ① Type
- ② Product style
- ③ Pitch
- ④ Poles (02-24)
- ⑤ Color
- ⑥ Standard 000 or Custom XXX

Color

0 Black	5 Green
1 Brown	6 Blue
2 Red	G Pale grey
3 Orange	8 Dark grey
4 Yellow	9 White

### Key Commercial data

Custom tariff number	8536901000
Country of origin	CN (China)

### Mating with headers

CAHACH381 Series



CAHACV381 Series



CAHAHF381 Series

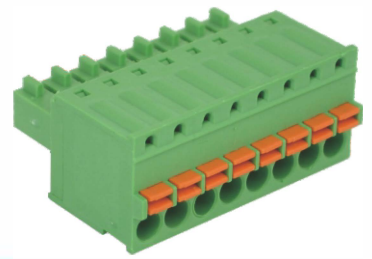


CAHAFV381 Series



CAHECV381 Series

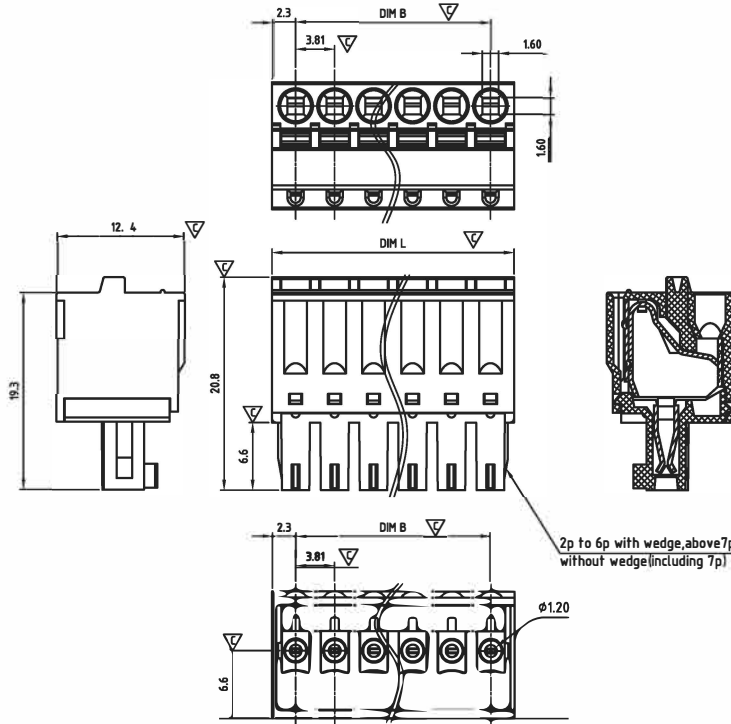




# CAPAST381-SERIES

Pitch 3,81mm

cULus E501953



Critical dimension:  $\nabla$

Dim.L=(P-1)x3.81+4.61

Dim.B=(P-1)x3.81

P=Number of poles (02-24)

	Dim B	Dim L
0-30mm	+/- 0,15	+/- 0,20
over 30-60mm	+/- 0,20	+/- 0,25
over 60-90mm	+/- 0,25	+/- 0,30
over 90mm	+/- 0,30	+/- 0,40

Tolerance	
x	+/- 0,50
x.x	+/- 0,30
x.xx	+/- 0,10
x°	+/-1°

Units:mm

## Technical data

Technical data in accordance with UL/CUL

	Use Group	B	C	D
Nominal voltage (V)	300	-	-	-
Nominal current (A)	8	-	-	-
Connection capacity(AWG)	28-16	-	-	-

Technical data in accordance with IEC

Rated insulation voltage at pollution degree 2 (V)	160
Rated current/conductor cross-section (A/mm <sup>2</sup> )	8 / 1.5
Solid/stranded(mm <sup>2</sup> )	0.14-1.5 / 0.14-1.5
Surge voltage category/pollution degree	III / 3 III / 2 II / 2
Rated insulation voltage(V)	160 160 320
Rated surge voltage(kV)	2.5 2.5 2.5

General data

Stripping length(mm)	8-9
Flange Screw thread	-
Flange Screw tightening torque(Nm)	-
Insulation Withstanding Voltage	AC1600V / 1min
Insulation Resistance	1000M $\Omega$ or more at DC500V
Using temperature range	-40°C-115°C

Materials

Insulation material group	PA 66   UL94 -V0
Wire guard	PhBz, Tin plated
Spring	Stainless steel
Flange Screw	-

## Packing information

Poles	Order Number	SPQ
2	CAPAST38102x000	550
3	CAPAST38103x000	350
4	CAPAST38104x000	250
5	CAPAST38105x000	200
6	CAPAST38106x000	180
7	CAPAST38107x000	140
8	CAPAST38108x000	140
9	CAPAST38109x000	105
10	CAPAST38110x000	105
11	CAPAST38111x000	85
12	CAPAST38112x000	85
13	CAPAST38113x000	80
14	CAPAST38114x000	70
15	CAPAST38115x000	70
16	CAPAST38116x000	70
17	CAPAST38117x000	60
18	CAPAST38118x000	50
19	CAPAST38119x000	50
20	CAPAST38120x000	50
21	CAPAST38121x000	50
22	CAPAST38122x000	40
23	CAPAST38123x000	40
24	CAPAST38124x000	40

## Ordering code

CAPAST381 xx x xxx

① ② ③ ④ ⑤ ⑥

- ① Type
- ② Product style
- ③ Pitch
- ④ Poles (02-24)
- ⑤ Color
- ⑥ Standard 000 or Custom XXX

Color

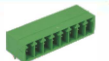
0 Black	5 Green
1 Brown	6 Blue
2 Red	7 Pale grey
3 Orange	8 Dark grey
4 Yellow	9 White

## Key Commercial data

Custom tariff number	8536901000
Country of origin	CN (China)

## Mating with headers

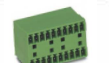
CAHABH381 Series



CAHABV381 Series



CAHAEH381 Series



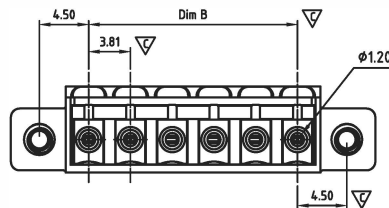
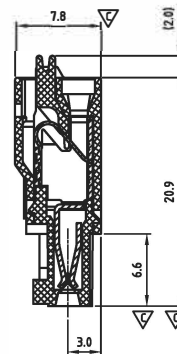
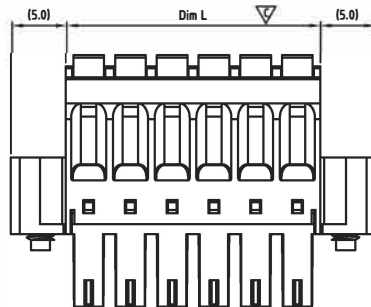
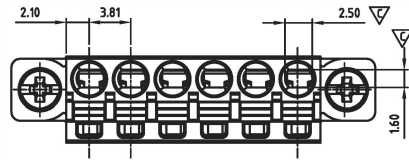
CAHAEV381 Series





## CAPBFD381-SERIES

cULus E501953



Critical dimension: ▽

Dim.L=(P-1)x3.81+4.2

Dim.B=(P-1)x3.81

P=Number of poles (02-24)

	Dim B	Dim L
0-30mm	+/- 0,15	+/- 0,20
over 30-60mm	+/- 0,20	+/- 0,25
over 60-90mm	+/- 0,25	+/- 0,30
over 90mm	+/- 0,30	+/- 0,40

Tolerance	
x	+/- 0,50
x.x	+/- 0,30
x.xx	+/- 0,10
x°	+/-1°
	Units:mm

### Technical data

Technical data in accordance with UL/CUL

	Use Group	B	C	D
Nominal voltage (V)	150	-	-	150
Nominal current (A)	8	-	-	8
Connection capacity(AWG)	24-16	-	-	24-16

Technical data in accordance with IEC

Rated insulation voltage at pollution degree 2 (V)	160		
Rated current/conductor cross-section (A/mm <sup>2</sup> )	8 / 1.5		
Solid /stranded(mm <sup>2</sup> )	0.2-1.5 /0.2-1.5		
Surge voltage category/pollution degree	III / 3	III / 2	II / 2
Rated insulation voltage(V)	160	160	320
Rated surge voltage(kV)	2.5	2.5	2.5

General data

Stripping length(mm)	9-10
Flange Screw thread	M2.5
Flange Screw tightening torque(Nm)	Max.0.3
Insulation Withstanding Voltage	AC1300V / 1min
Insulation Resistance	1000MΩ or more at DC500V
Using temperature range	-40°C-115°C

Materials

Insulation material group	PA 66 I UL94 -V0
Wire guard	PhBz, Tin plated
Spring	Stainless steel
Flange Screw	Steel, Zn plated

### Packing information

Poles	Order Number	SPQ
2	CAPBFD38102x000	260
3	CAPBFD38103x000	220
4	CAPBFD38104x000	200
5	CAPBFD38105x000	180
6	CAPBFD38106x000	180
7	CAPBFD38107x000	150
8	CAPBFD38108x000	150
9	CAPBFD38109x000	120
10	CAPBFD38110x000	120
11	CAPBFD38111x000	90
12	CAPBFD38112x000	90
13	CAPBFD38113x000	90
14	CAPBFD38114x000	90
15	CAPBFD38115x000	90
16	CAPBFD38116x000	60
17	CAPBFD38117x000	60
18	CAPBFD38118x000	60
19	CAPBFD38119x000	60
20	CAPBFD38120x000	60
21	CAPBFD38121x000	60
22	CAPBFD38122x000	60
23	CAPBFD38123x000	60
24	CAPBFD38124x000	30

### Ordering code

**CAPB FD 381 xx x xxx**  
① ② ③ ④ ⑤ ⑥

- ① Type
- ② Product style
- ③ Pitch
- ④ Poles (02-24)
- ⑤ Color
- ⑥ Standard 000 or Custom XXX

Color

0 Black	5 Green
1 Brown	6 Blue
2 Red	7 Pale grey
3 Orange	8 Dark grey
4 Yellow	9 White

### Key Commercial data

Custom tariff number	8536901000
Country of origin	CN (China)

### Mating with headers

CAHACH381 Series



CAHACV381 Series



CAHFCH381 Series



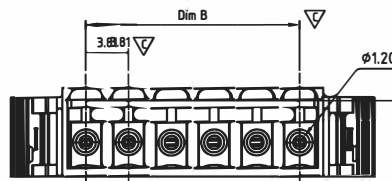
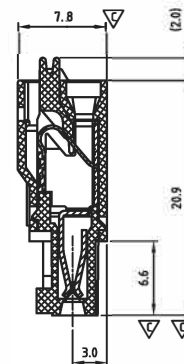
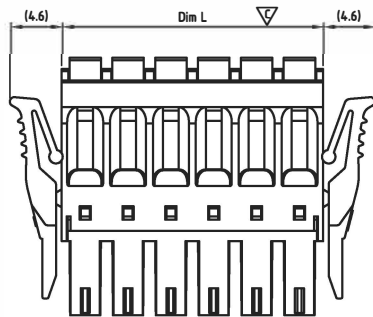
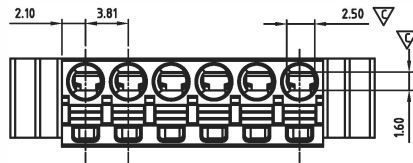
CAHFVC381 Series





## CAPBLD381-SERIES

cULus E501953



Critical dimension: ▽

Dim.L=(P-1)×3.81+4.2

Dim.B=(P-1)×3.81

P=Number of poles (02-24)

	Dim B	Dim L
0-30mm	+/- 0,15	+/- 0,20
over 30-60mm	+/- 0,20	+/- 0,25
over 60-90mm	+/- 0,25	+/- 0,30
over 90mm	+/- 0,30	+/- 0,40

Tolerance	
x	+/- 0,50
x.x	+/- 0,30
x.xx	+/- 0,10
x°	+/- 1°
⊕	Units:mm

### Technical data

Technical data in accordance with UL/CUL

	Use Group	B	C	D
Nominal voltage (V)	150	-	150	
Nominal current (A)	8	-	8	
Connection capacity(AWG)	24-16	-	24-16	

Technical data in accordance with IEC

Rated insulation voltage at pollution degree 2 (V)	160
Rated current/conductor cross-section (A/mm <sup>2</sup> )	8 / 1.5
Solid/stranded(mm <sup>2</sup> )	0.2-1.5/0.2-1.5
Surge voltage category / pollution degree	III / 3 III / 2 II / 2
Rated insulation voltage(V)	160 160 320
Rated surge voltage(kV)	2.5 2.5 2.5

General data

Stripping length(mm)	9-10
Flange Screw thread	-
Flange Screw tightening torque(Nm)	-
Insulation Withstanding Voltage	AC1300V / 1min
Insulation Resistance	1000MΩ or more at DC500V
Using temperature range	-40°C-115°C

Materials

Insulation material group	PA 66 I UL94 -V0
Wire guard	PhBz, Tin plated
Spring	Stainless steel
Flange Screw	-

### Packing information

Poles	Order Number	SPQ
2	CAPBLD38102x000	260
3	CAPBLD38103x000	220
4	CAPBLD38104x000	200
5	CAPBLD38105x000	180
6	CAPBLD38106x000	180
7	CAPBLD38107x000	150
8	CAPBLD38108x000	150
9	CAPBLD38109x000	120
10	CAPBLD38110x000	120
11	CAPBLD38111x000	90
12	CAPBLD38112x000	90
13	CAPBLD38113x000	90
14	CAPBLD38114x000	90
15	CAPBLD38115x000	90
16	CAPBLD38116x000	60
17	CAPBLD38117x000	60
18	CAPBLD38118x000	60
19	CAPBLD38119x000	60
20	CAPBLD38120x000	60
21	CAPBLD38121x000	60
22	CAPBLD38122x000	60
23	CAPBLD38123x000	60
24	CAPBLD38124x000	30

### Ordering code

**CAP LD 381 xx x xxx**  
① ② ③ ④ ⑤ ⑥

- ① Type
- ② Product style
- ③ Pitch
- ④ Poles (02-24)
- ⑤ Color
- ⑥ Standard 000 or Custom XXX

Color

0 Black	5 Green
1 Brown	6 Blue
2 Red	7 Pale grey
3 Orange	8 Dark grey
4 Yellow	9 White

### Key Commercial data

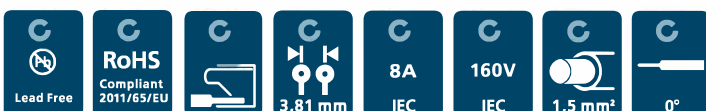
Custom tariff number	8536901000
Country of origin	CN (China)

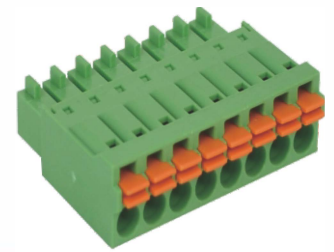
### Mating with headers

CAHFDH381 Series



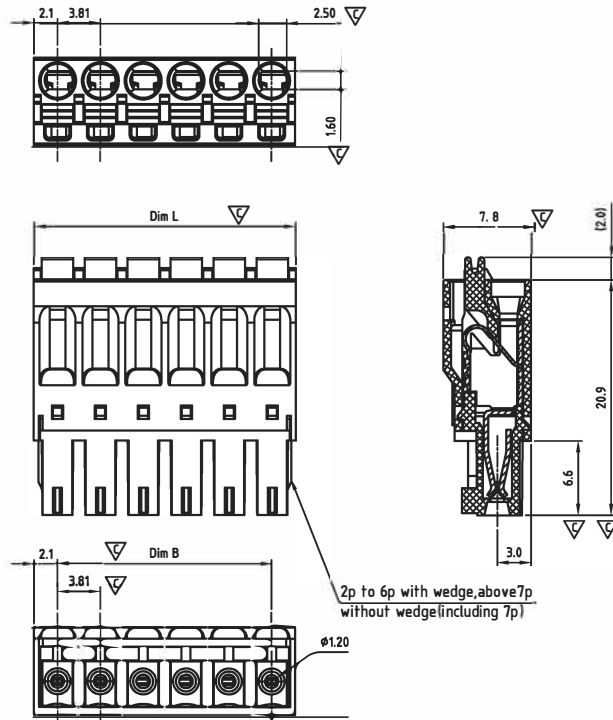
CAHFDV381 Series





## CAPBSD381-SERIES

cULus E501953



Critical dimension:  $\nabla$

Dim.L=(P-1)x3.5+4.2

Dim.B=(P-1)x3.5

P=Number of poles (02-24)

	Dim B	Dim L
0-30mm	+/- 0,15	+/- 0,20
over 30-60mm	+/- 0,20	+/- 0,25
over 60-90mm	+/- 0,25	+/- 0,30
over 90mm	+/- 0,30	+/- 0,40

Tolerance	
x	+/- 0,50
x.x	+/- 0,30
x.xx	+/- 0,10
x°	+/-1°

Units:mm

### Technical data

#### Technical data in accordance with UL/CUL

	Use Group	B	C	D
Nominal voltage (V)	150	-	150	
Nominal current (A)	8	-	8	
Connection capacity(AWG)	24-16	-	24-16	

#### Technical data in accordance with IEC

Rated insulation voltage at pollution degree 2 (V)	160
Rated current/conductor cross-section (A/mm <sup>2</sup> )	8 / 1.5
Solid/stranded(mm <sup>2</sup> )	0.2-1.5 / 0.2-1.5
Surge voltage category/pollution degree	III / 3 III / 2 II / 2
Rated insulation voltage(V)	160 160 320
Rated surge voltage(kV)	2.5 2.5 2.5

#### General data

Stripping length(mm)	9-10
Flange Screw thread	-
Flange Screw tightening torque(Nm)	-
Insulation Withstanding Voltage	AC1300V / 1min
Insulation Resistance	1000M $\Omega$ or more at DC500V
Using temperature range	-40°C-115°C

#### Materials

Insulation material group	PA 66 I UL94 -V0
Wire guard	PhBz, Tin plated
Spring	Stainless steel
Flange Screw	-

### Packing information

Poles	Order Number	SPQ
2	CAPBSD38102x000	600
3	CAPBSD38103x000	400
4	CAPBSD38104x000	300
5	CAPBSD38105x000	300
6	CAPBSD38106x000	240
7	CAPBSD38107x000	210
8	CAPBSD38108x000	180
9	CAPBSD38109x000	150
10	CAPBSD38110x000	150
11	CAPBSD38111x000	120
12	CAPBSD38112x000	120
13	CAPBSD38113x000	120
14	CAPBSD38114x000	90
15	CAPBSD38115x000	90
16	CAPBSD38116x000	90
17	CAPBSD38117x000	90
18	CAPBSD38118x000	60
19	CAPBSD38119x000	60
20	CAPBSD38120x000	60
21	CAPBSD38121x000	60
22	CAPBSD38122x000	60
23	CAPBSD38123x000	60
24	CAPBSD38124x000	60

### Ordering code

**CAP SD 381 xx x xxx**  
① ② ③ ④ ⑤ ⑥

- ① Type
- ② Product style
- ③ Pitch
- ④ Poles (02-24)
- ⑤ Color
- ⑥ Standard 000 or Custom XXX

Color

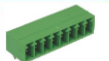
0 Black	5 Green
1 Brown	6 Blue
2 Red	7 Pale grey
3 Orange	8 Dark grey
4 Yellow	9 White

### Key Commercial data

Custom tariff number	8536901000
Country of origin	CN (China)

### Mating with headers

CAHABH381 Series



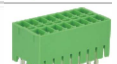
CAHABV381 Series

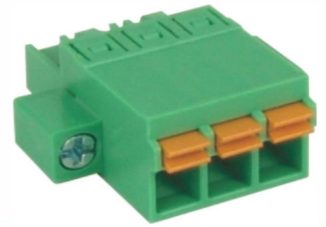


CAHFBH381 Series



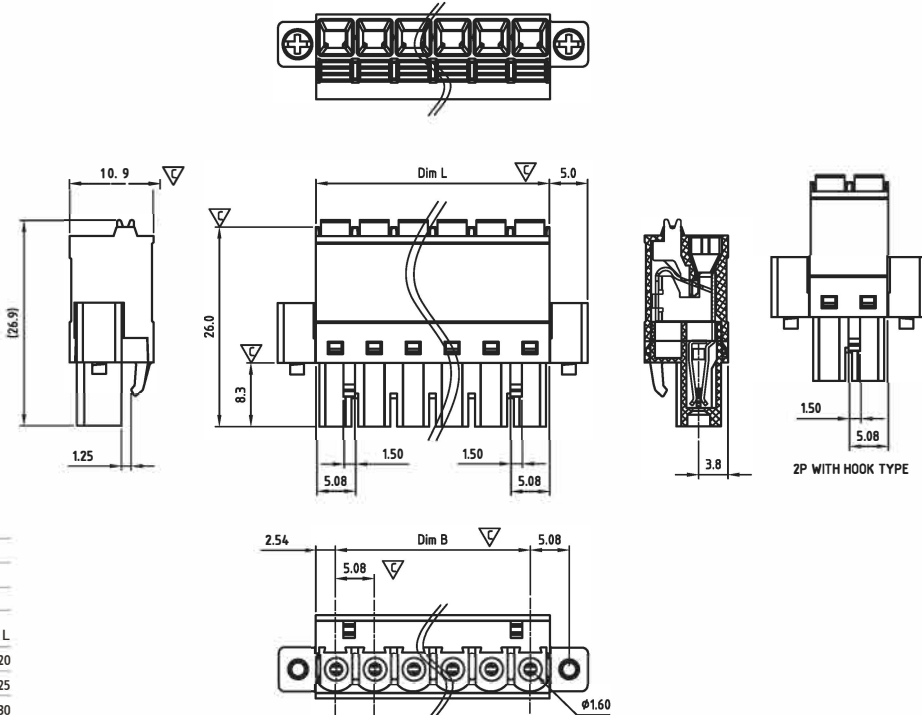
CAHFBV381 Series





## CAPAFD508-SERIES (ultra thin type)

cULus E501953



Critical dimension: ▽

Dim.L=Px5.08

Dim.B=(P-1)x5.08

P=Number of poles (02-24)

	Dim B	Dim L
0-30mm	+/- 0,15	+/- 0,20
over 30-60mm	+/- 0,20	+/- 0,25
over 60-90mm	+/- 0,25	+/- 0,30
over 90mm	+/- 0,30	+/- 0,40

Tolerance	
x	+/- 0,50
x.x	+/- 0,30
x.xx	+/- 0,10
x°	+/-1°
Units:mm	

### Technical data

Technical data in accordance with UL/CUL

	Use Group	B	C	D
Nominal voltage (V)	300	-	-	300
Nominal current (A)	10	-	-	10
Connection capacity (AWG)	26-12	-	-	26-12

Technical data in accordance with IEC

Rated insulation voltage at pollution degree 2 (V)	320		
Rated current/conductor cross-section (A/mm <sup>2</sup> )	12 / 2.5		
Solid/stranded(mm <sup>2</sup> )	0.2-2.5 / 0.2-2.5		
Surge voltage category/pollution degree	III / 3	III / 2	II / 2
Rated insulation voltage(V)	250	320	630
Rated surge voltage(kV)	4	4	4

General data

Stripping length(mm)	9-10
Flange Screw thread	M2,5
Flange Screw tightening torque(Nm)	Max. 0.3
Insulation Withstanding Voltage	AC1600V / 1min
Insulation Resistance	1000MΩ or more at DC500V
Using temperature range	-40°C-115°C

Materials

Insulation material group	PA 66   UL94 -V0
Wire guard	PhBz, Tin plated
Spring	Stainless steel
Flange Screw	Steel, Zn plated

### Packing information

Poles	Order Number	SPQ
2	CAPAFD50802x100	100
3	CAPAFD50803x100	80
4	CAPAFD50804x100	70
5	CAPAFD50805x100	80
6	CAPAFD50806x100	60
7	CAPAFD50807x100	60
8	CAPAFD50808x100	48
9	CAPAFD50809x100	48
10	CAPAFD50810x100	48
11	CAPAFD50811x100	32
12	CAPAFD50812x100	32
13	CAPAFD50813x100	32
14	CAPAFD50814x100	32
15	CAPAFD50815x100	32
16	CAPAFD50816x100	32
17	CAPAFD50817x100	32
18	CAPAFD50818x100	16
19	CAPAFD50819x100	16
20	CAPAFD50820x100	16
21	CAPAFD50821x100	16
22	CAPAFD50822x100	16
23	CAPAFD50823x100	16
24	CAPAFD50824x100	16

### Ordering code

CAPA FD 508 xx x 1xx  
① ② ③ ④ ⑤ ⑥

- ① Type
- ② Product style
- ③ Pitch
- ④ Poles (02-24)
- ⑤ Color
- ⑥ Standard 100 or Custom XXX

Color

0 Black	5 Green
1 Brown	6 Blue
2 Red	G Pale grey
3 Orange	8 Dark grey
4 Yellow	9 White

### Key Commercial data

Custom tariff number	8536901000
Country of origin	CN (China)

### Mating with headers

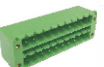
CAHACH508 Series



CAHACV508 Series



CAHAFH508xxx100 Seriesa

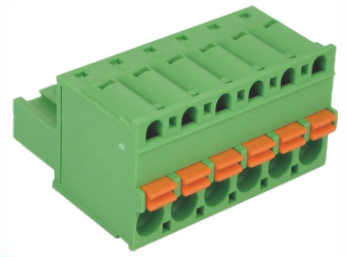


CAHAFV508xxx100 Series



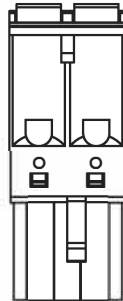
CAHECV508 Series



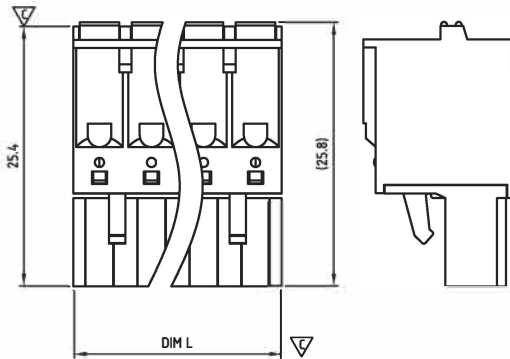
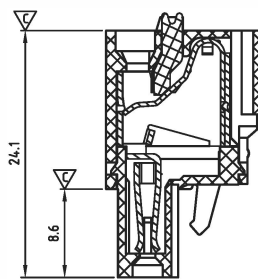
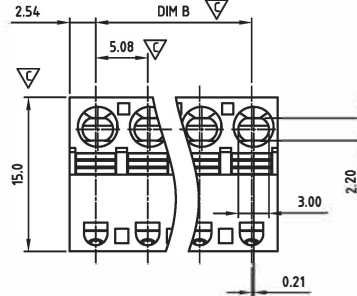


## CAPASD508-SERIES

**cULus** E501953



2P Hook



Critical dimension: ▽

Dim.L=Px5.08

Dim.B=(P-1)x5.08

P=Number of poles (02-24)

	Dim B	Dim L
0-30mm	+/- 0,15	+/- 0,20
over 30-60mm	+/- 0,20	+/- 0,25
over 60-90mm	+/- 0,25	+/- 0,30
over 90mm	+/- 0,30	+/- 0,40

Tolerance	
x	+/- 0,50
x.x	+/- 0,30
x.xx	+/- 0,10
x°	+/-1°
Units:mm	

### Technical data

Technical data in accordance with UL/CUL

	Use Group	B	C	D
Nominal voltage (V)	300	-	300	
Nominal current (A)	10	-	10	
Connection capacity (AWG)	26-12	-	26-12	

Technical data in accordance with IEC

Rated insulation voltage at pollution degree 2 (V)	320
Rated current/conductor cross-section (A/mm <sup>2</sup> )	12 / 2,5
Solid/stranded(mm <sup>2</sup> )	0,2-2,5 / 0,2-2,5
Surge voltage category/pollution degree	III / 3 III / 2 II / 2
Rated insulation voltage(V)	250 320 630
Rated surge voltage(kV)	4 4 4

General data

Stripping length(mm)	9-10
Flange Screw thread	-
Flange Screw tightening torque(Nm)	-
Insulation Withstanding Voltage	AC1600V / 1min
Insulation Resistance	1000MΩ or more at DC500V
Using temperature range	-40°C-115°C

Materials

Insulation material group	PA 66   UL94 -V0
Wire guard	PhBz, Tin plated
Spring	Stainless steel
Flange Screw	-

### Packing information

Poles	Order Number	SPQ
2	CAPASD50802x000	250
3	CAPASD50803x000	160
4	CAPASD50804x000	120
5	CAPASD50805x000	80
6	CAPASD50806x000	80
7	CAPASD50807x000	60
8	CAPASD50808x000	60
9	CAPASD50809x000	50
10	CAPASD50810x000	40
11	CAPASD50811x000	40
12	CAPASD50812x000	40
13	CAPASD50813x000	30
14	CAPASD50814x000	30
15	CAPASD50815x000	25
16	CAPASD50816x000	25
17	CAPASD50817x000	25
18	CAPASD50818x000	25
19	CAPASD50819x000	25
20	CAPASD50820x000	20
21	CAPASD50821x000	20
22	CAPASD50822x000	20
23	CAPASD50823x000	20
24	CAPASD50824x000	20

### Ordering code

**CAPA SD 508 xx x xxx**  
① ② ③ ④ ⑤ ⑥

- ① Type
- ② Product style
- ③ Pitch
- ④ Poles (02-24)
- ⑤ Color
- ⑥ Standard 000 or Custom XXX

Color

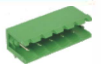
0 Black	5 Green
1 Brown	6 Blue
2 Red	7 Pale grey
3 Orange	8 Dark grey
4 Yellow	9 White

### Key Commercial data

Custom tariff number	8536901000
Country of origin	CN (China)

### Mating with headers

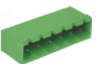
CAHAAH508 Series



CAHAAV508 Series



CAHABH508 Series



CAHABV508 Series



CAHAEH508 Series



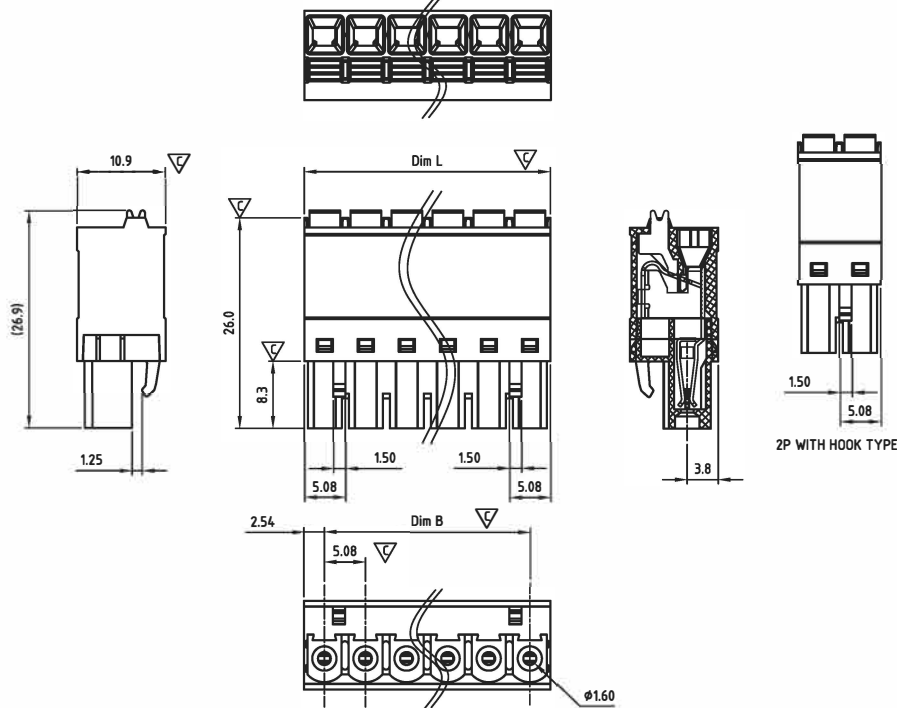
CAHAEV508 Series





## CAPASD508-SERIES (ultra thin type)

cULus E501953



Critical dimension: ▽

Dim.L=Px5.08

Dim.B=(P-1)x5.08

P=Number of poles (02-24)

	Dim B	Dim L
0-30mm	+/- 0,15	+/- 0,20
over 30-60mm	+/- 0,20	+/- 0,25
over 60-90mm	+/- 0,25	+/- 0,30
over 90mm	+/- 0,30	+/- 0,40

Tolerance	
x	+/- 0,50
x.x	+/- 0,30
x.xx	+/- 0,10
x°	+/-1°
Units:mm	

### Technical data

Technical data in accordance with UL/CUL

	Use Group	B	C	D
Nominal voltage (V)		300	-	300
Nominal current (A)		10	-	10
Connection capacity (AWG)		26-12	-	26-12

Technical data in accordance with IEC

Rated insulation voltage at pollution degree 2 (V)	320		
Rated current/conductor cross-section (A/mm <sup>2</sup> )	12 / 2.5		
Solid/stranded(mm <sup>2</sup> )	0.2-2.5 / 0.2-2.5		
Surge voltage category/pollution degree	III / 3	III / 2	II / 2
Rated insulation voltage(V)	250	320	630
Rated surge voltage(kV)	4	4	4

General data

Stripping length (mm)	9-10
Flange Screw thread	-
Flange Screw tightening torque(Nm)	-
Insulation Withstanding Voltage	AC1600V / 1min
Insulation Resistance	1000MΩ or more at DC500V
Using temperature range	-40°C-115°C

Materials

Insulation material group	PA 66   UL94 -V0
Wire guard	PhBz, Tin plated
Spring	Stainless steel
Flange Screw	-

### Packing information

Poles	Order Number	SPQ
2	CAPASD50802x100	250
3	CAPASD50803x100	150
4	CAPASD50804x100	100
5	CAPASD50805x100	100
6	CAPASD50806x100	95
7	CAPASD50807x100	80
8	CAPASD50808x100	60
9	CAPASD50809x100	60
10	CAPASD50810x100	48
11	CAPASD50811x100	48
12	CAPASD50812x100	48
13	CAPASD50813x100	48
14	CAPASD50814x100	32
15	CAPASD50815x100	32
16	CAPASD50816x100	32
17	CAPASD50817x100	32
18	CAPASD50818x100	32
19	CAPASD50819x100	32
20	CAPASD50820x100	16
21	CAPASD50821x100	16
22	CAPASD50822x100	16
23	CAPASD50823x100	16
24	CAPASD50824x100	16

### Ordering code

CAPA SD 508 xx x 1xx  
① ② ③ ④ ⑤ ⑥

- ① Type
- ② Product style
- ③ Pitch
- ④ Poles (02-24)
- ⑤ Color
- ⑥ Standard 100 or Custom XXX

Color

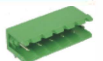
0 Black	5 Green
1 Brown	6 Blue
2 Red	G Pale grey
3 Orange	8 Dark grey
4 Yellow	9 White

### Key Commercial data

Custom tariff number	8536901000
Country of origin	CN (China)

### Mating with headers

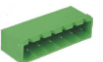
CAHAAH508 Series



CAHAAV508 Series



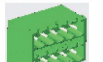
CAHABH508 Series



CAHABV508 Series



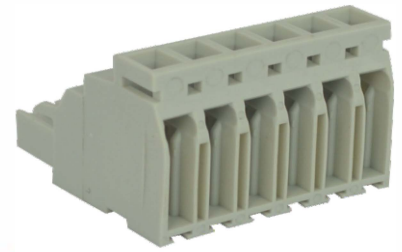
CAHAEH508xxx100 Series



CAHAEV508xxx100 Series

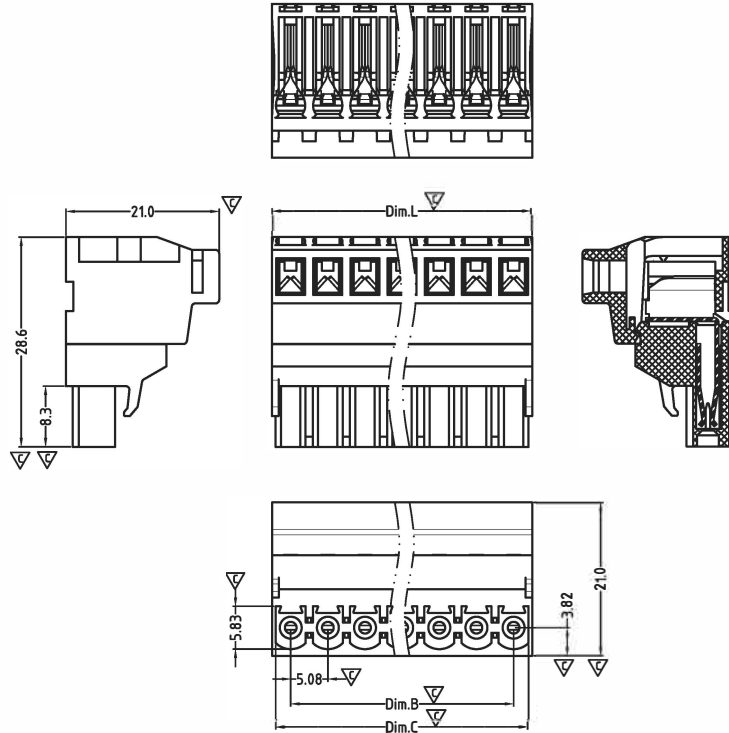






## CAPCSD 508-S ERIES (IDC - type)

cAUs E501953



Critical dimension: ▽

Dim.L=Px5.08

Dim.B=(P-1)x5.08

P=Number of poles (02-12)

	Dim B	Dim L
0-30mm	+/- 0,15	+/- 0,20
over 30-60mm	+/- 0,20	+/- 0,25
over 60-90mm	+/- 0,25	+/- 0,30
over 90mm	+/- 0,30	+/- 0,40

Tolerance	
x	+/- 0,50
x.x	+/- 0,30
x.xx	+/- 0,10
x°	+/-1°
	Units:mm

### Technical data

Technical data in accordance with UL/CUL

	Use Group	B	C	D
Nominal voltage (V)		300	-	300
Nominal current (A)		7	-	7
Connection capacity (AWG)		24-18	-	24-18

Technical data in accordance with IEC

Rated insulation voltage at pollution degree 2 (V)	320		
Rated current/conductor cross-section (A/mm <sup>2</sup> )	9 / 0.75		
Solid/stranded(mm <sup>2</sup> )	0.2-0.75 / 0.2-0.75		
Surge voltage category/pollution degree	III / 3	III / 2	II / 2
Rated insulation voltage(V)	250	320	630
Rated surge voltage(kV)	4	4	4

General data

Stripping length(mm)	0
Flange Screw thread	-
Flange Screw tightening torque(Nm)	-
Insulation Withstanding Voltage	AC1600V / 1min
Insulation Resistance	1000MΩ or more at DC500V
Using temperature range	-40°C-115°C

Materials

Insulation material group	PA 66   UL94 -V0
Wire guard	PhBz, Tin plated
Spring	-
Flange Screw	-

### Packing information

Poles	Order Number	SPQ
2	CAPCSD50802x000	150
3	CAPCSD50803x000	100
4	CAPCSD50804x000	80
5	CAPCSD50805x000	55
6	CAPCSD50806x000	48
7	CAPCSD50807x000	40
8	CAPCSD50808x000	35
9	CAPCSD50809x000	35
10	CAPCSD50810x000	35
11	CAPCSD50811x000	35
12	CAPCSD50812x000	35

### Ordering code

CAPC SD 508 xx x xxx  
① ② ③ ④ ⑤ ⑥

- ① Type
- ② Product style
- ③ Pitch
- ④ Poles (02-12)
- ⑤ Color
- ⑥ Standard 000 or Custom XXX

Color

0 Black	5 Green
1 Brown	6 Blue
2 Red	G Pale grey
3 Orange	8 Dark grey
4 Yellow	9 White

### Key Commercial data

Custom tariff number	8536901000
Country of origin	CN (China)

### Mating with headers

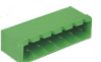
CAHAAH508 Series



CAHAAV508 Series



CAHABH508 Series



CAHABV508Series



### Recommended tool

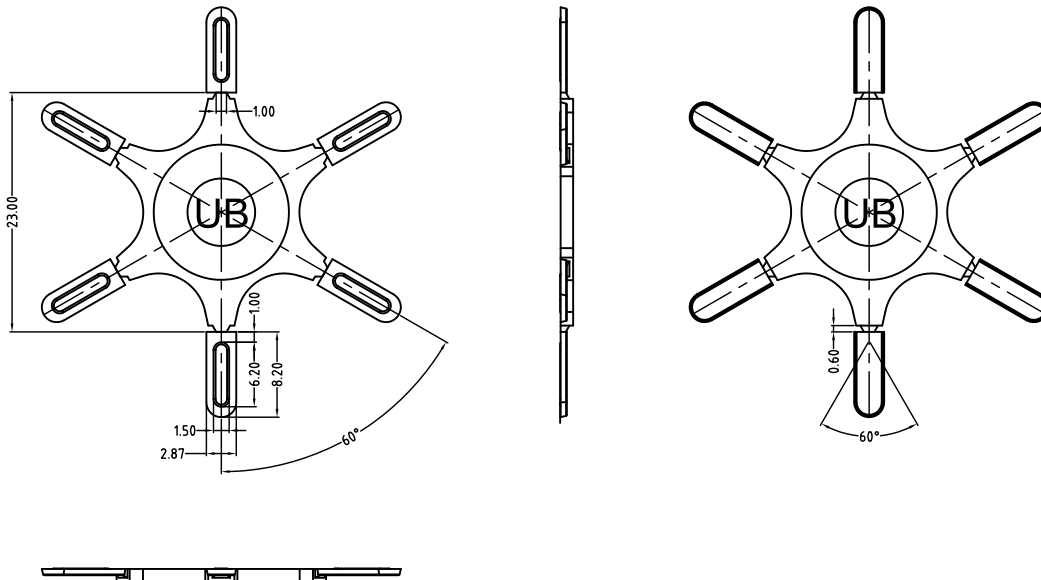
Tool





# Accessories FOR PLUGS

## CAUB-SERIES CODING KEY (Suitable for pitch 5,00/5,08/7,62)



Tolerance	
x.	+/- 0,50
x.x	+/- 0,30
x.xx	+/- 0,10
x°	+/- 1°

Units:mm

Pitch 5,00/5,08/7,62mm

### Technical data

Technical data in accordance with UL/CUL

Use Group	B	C	D
Nominal voltage (V)			
Nominal current (A)			
Connection capacity(AWG)			

Technical data in accordance with IEC and VDE

Rated insulation voltage at pollution degree 2 (V)	
Rated current/conductor cross-section (A/mm <sup>2</sup> )	
Solid/stranded(mm <sup>2</sup> )	
Surge voltage category/pollution degree	
Rated insulation voltage(V)	
Rated surge voltage(kV)	

General data

Flange nut thread	
Flange nut tightening torque(Nm)	
Insulation Withstanding Voltage	
Insulation Resistance	1000MΩ or more at DC500V
Using temperature range	-40°C-115°C
Soldering temperature	

Materials

Insulation material group	PA 66 I UL94 -V0
PIN	
Flange nut	
Borehole diameter/pin dimensions(mm)	

### Packing information

Poles	Order Number	SPQ
-	CAUB00000002000	1100

### Ordering code

CAUB 00 000 00 x xxx  
① ② ③ ④ ⑤ ⑥

- ① Type
- ② Product style
- ③ Pitch
- ④ Poles (00)
- ⑤ Color
- ⑥ Standard 000 or Custom XXX

Color

2 Red

### Key Commercial data

Custom tariff number	8536901000
Country of origin	CN (China)

### Mating with headers

CAMAFT508 Series



CAMAFD508 Series



CAMBFR508 Series



CAMBFW508 Series



CAPAFD508 Series



CAPAFD508XXX100 Series



## Color similar to RALxxxx



Black  
Similar to RAL9005



Brown  
Similar to RAL8017



Red  
Similar to RAL3013



Orange  
Similar to RAL2011



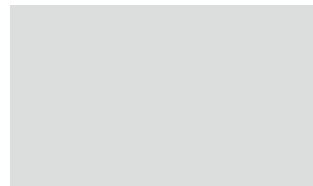
Green  
Similar to RAL6018



Light green  
Similar to RAL6018



Blue  
Similar to RAL5015



Light gray  
Similar to RAL7035



Dark gray  
Similar to RAL7004



Yellow  
Similar to RAL1018



White  
Similar to RAL1102



Yellow-green  
Applied to earth terminal

### COLORS AND MARKING

We have many sets of high precision injecting machine. All the machines can process a variety of high precision injecting products, in order to meet all kinds of components and customer's needs. Also, our factory is using concentrated dry feeding system and automatic suction machine, so that the machines can supply material automatically. We only need one person to run this production line, which is the best part of our precision injecting machines. Furthermore, we do make special features in the plastic housing to prevent mismatching, increase creeping distance or prevent PCB parts to have wrong orientation. In addition to this we do special marking and even special color if needed.

Terminal blocks and headers can be marked by different methods. We offer our customers two kinds of printing: ink-jet printing, the cost-effective, fast and flexible solution to print letters or individual characters. The tampon printing is also available. The Tampon print guarantees the best quality and definition. A variety of letters and characters are possible, even on corners and round surfaces. Both types of printing are wipe-proof; the tampon-printing method is also resistant to isopropyl alcohol.

## AUTOMATED ASSEMBLY

According to the different characteristics of products, we have divided our assembly production line into two:

automated assembly line and manual assembly line. Our professional engineers not only have the ability to design the labor power into the automated assembly system, but also are able to develop and improve the automated assembly machines, as well as defective product detecting system.

Hence we can ensure the quality of product also improve the productivity. Recent years, in order to reduce the production costs and improve market competitiveness, CABCON has reduced the cost in manual production and focused

on the development of automation equipment, to ensure product quality and production capacity. Production efficiency will lead the delivery time become more accurate.

## INJECTION MOLDING

Right now CABCON has many sets of high precision injecting machine. All the machines are able to process a variety of high precision injecting products, in order to meet all kinds of components and OEM / ODM customer's needs. Also our factory is using concentrated dry feeding system and automatic suction machine, so that the machines can supply material automatically. CABCON only needs one person to run this production line, which is the best part of our precision injecting machines.

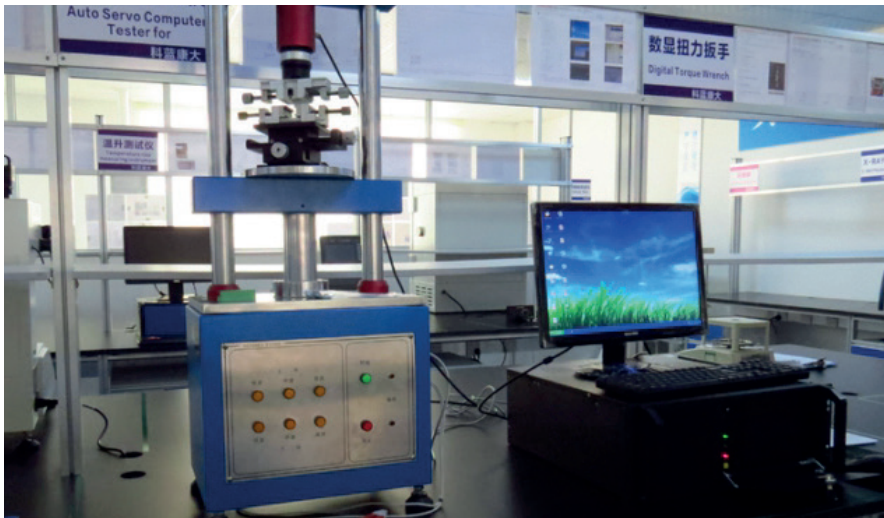
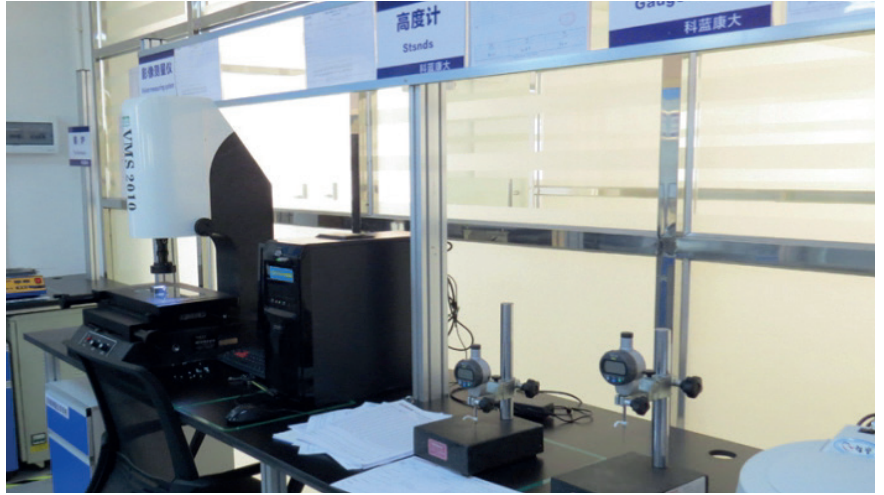
## SCREW AND METAL CAGE

CABCON has all kinds of precision lathes, drilling, tapping machines. Also our production line has a number of advanced and efficient CCD automatic detecting systems.



## TESTING LABORATORY

ISO/IEC17025 standard is applied in CABCON's laboratory. Our lab has included the testing equipments of electrical, environmental, mechanical and vibration. All equipments are comply with UL1059 UL486E IEC60947 IEC60998 IEC61984 GB13140 to monitor the production process, hence ensure the quality and stability of CABCON's product.



## COMPANY ABILITY



# CREATING VALUE



Cabcon A/S · Stamholmen 193A · DK-2650 Hvidovre · Denmark · Tel. +45 38 76 03 15 · [www.cabcon.dk](http://www.cabcon.dk)

Cabcon A/S · Trollåsveien 4 · 1414 Trollåsen · Norway · Tel. +47 93 200 204 · [www.cabcon.dk](http://www.cabcon.dk)

Cabcon A/S · Stora Ävägen 21 · 436 34 Askim · Sweden · Tel. +46 735 01 33 24 · [www.cabcon.dk](http://www.cabcon.dk)

Cabcon Asia · Unit 8, 28/F, Cable TV Tower · Hoi Shing Road, Tsuen Wan · Hong Kong