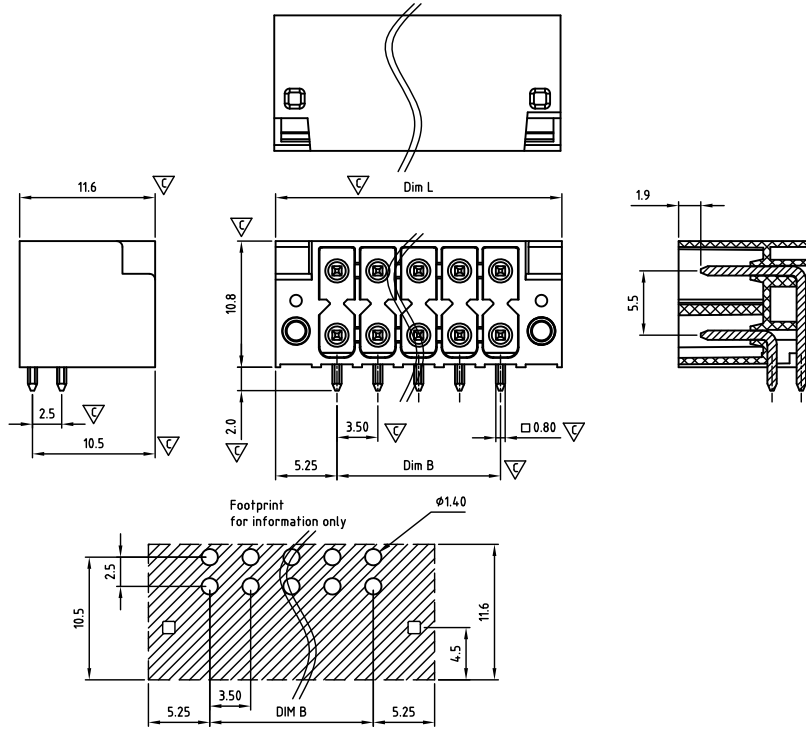




CAHGCH350-SERIES

cULus E501953



Critical dimension:  $\nabla$

Dim.L=(1/2P-1)x3.5+10.5

Dim.B=(1/2P-1)x3.5

P=Number of poles (04-48)

	Dim B	Dim L
0-30mm	+/- 0,15	+/- 0,20
over 30-60mm	+/- 0,20	+/- 0,25
over 60-90mm	+/- 0,25	+/- 0,30
over 90mm	+/- 0,30	+/- 0,40

Tolerance	
x.	+/- 0,50
x.x	+/- 0,30
x.xx	+/- 0,10
x°	+/- 1°

Units:mm

Technical data

Technical data in accordance with UL/CUL

	Use Group	B	C	D
Nominal voltage (V)		150	50	-
Nominal current (A)		8	8	-
Connection capacity(AWG)		-	-	-

Technical data in accordance with IEC

Rated insulation voltage at pollution degree 2 (V)		160		
Rated current/conductor cross-section (A/mm <sup>2</sup> )		8 / -		
Solid/stranded(mm <sup>2</sup> )		-		
Surge voltage category/pollution degree	III / 3	III / 2	II / 2	
Rated insulation voltage(V)	160	160	250	
Rated surge voltage(kV)	1.5	2.5	2.5	

General data

Flange nut thread	M2.5
Flange nut tightening torque(Nm)	Max. 0.3
Insulation Withstanding Voltage	AC 1600 / 1min
Insulation Resistance	1000M $\Omega$ or more at DC500V
Using temperature range	-40°C-130°C
Soldering temperature	260 $\pm$ 5°C/10s

Materials

Insulation material group	LCP I UL94 -V0
PIN	Copper, Tin plated
Flange nut	Brass
Borehole diameter/pin dimensions(mm)	1.4/0.8*0.8

Packing information

Poles	Order Number	SPQ
2*2	CAHGCH35004x000	160
2*3	CAHGCH35006x000	140
2*4	CAHGCH35008x000	120
2*5	CAHGCH35010x000	100
2*6	CAHGCH35012x000	90
2*7	CAHGCH35014x000	75
2*8	CAHGCH35016x000	75
2*9	CAHGCH35018x000	60
2*10	CAHGCH35020x000	60
2*11	CAHGCH35022x000	60
2*12	CAHGCH35024x000	45
2*13	CAHGCH35026x000	45
2*14	CAHGCH35028x000	45
2*15	CAHGCH35030x000	45
2*16	CAHGCH35032x000	45
2*17	CAHGCH35034x000	45
2*18	CAHGCH35036x000	30
2*19	CAHGCH35038x000	30
2*20	CAHGCH35040x000	30
2*21	CAHGCH35042x000	30
2*22	CAHGCH35044x000	30
2*23	CAHGCH35046x000	30
2*24	CAHGCH35048x000	30

Ordering code

CAHG CH 350 xx x xxx  
 ① ② ③ ④ ⑤ ⑥

- ① Type
- ② Product style
- ③ Pitch
- ④ Poles (04-48)
- ⑤ Color
- ⑥ Standard 000 or Custom XXX

Color

0 Black

Key Commercial data

Custom tariff number	8536901000
Country of origin	CN (China)

Mating with headers

CAPDFD350 Series



CAPDFD350xxxL00 Series

