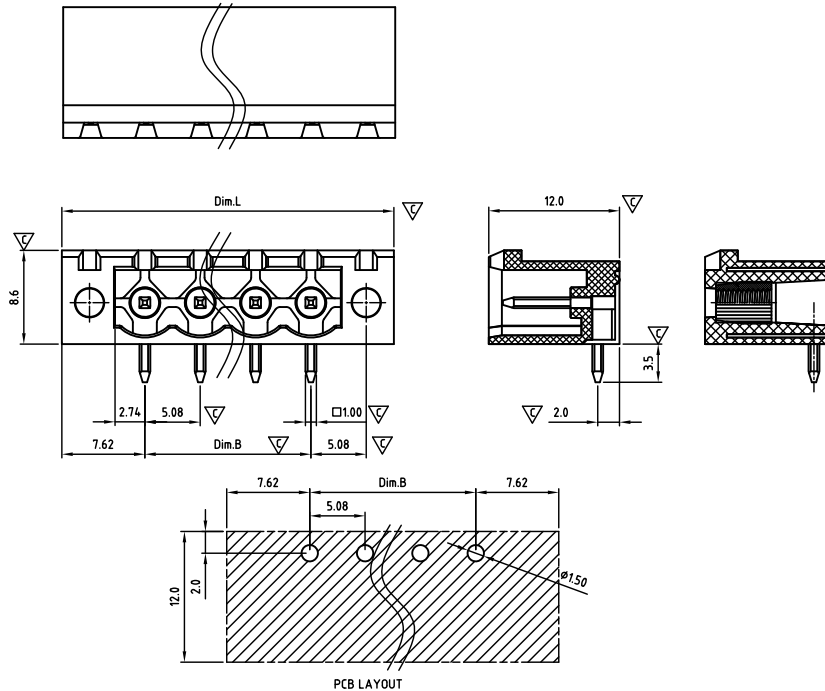




CAHACH508-SERIES

cULus E501953



Critical dimension: ∇

Dim.L=(P+2)x5.08

Dim.B=(P-1)x5.08

P=Number of poles (02-24)

	Dim B	Dim L
0-30mm	+/- 0,15	+/- 0,20
over 30-60mm	+/- 0,20	+/- 0,25
over 60-90mm	+/- 0,25	+/- 0,30
over 90mm	+/- 0,30	+/- 0,40

Tolerance	
x.	+/- 0,50
x.x	+/- 0,30
x.xx	+/- 0,10
x°	+/-1°
	Units:mm

Technical data

Technical data in accordance with UL/CUL

	Use Group	B	C	D
Nominal voltage (V)		300	-	300
Nominal current (A)		15	-	10
Connection capacity(AWG)		-	-	-

Technical data in accordance with IEC and VDE

Rated insulation voltage at pollution degree 2 (V)		320		
Rated current/conductor cross-section (A/mm ²)		12 / -		
Solid/stranded(mm ²)		-		
Surge voltage category/pollution degree	III / 3	III / 2	II / 2	
Rated insulation voltage(V)	250	320	400	
Rated surge voltage(kV)	4	4	4	

General data

Flange nut thread	M2.5
Flange nut tightening torque(Nm)	Max. 0.3
Insulation Withstanding Voltage	AC 1600 / 1min
Insulation Resistance	1000M Ω or more at DC500V
Using temperature range	-40°C-115°C
Soldering temperature	250 \pm 5°C/5s

Materials

Insulation material group	PA 66 I UL94 -V0
PIN	Copper, Tin plated
Flange nut	Brass
Borehole diameter/pin dimensions(mm)	1.6/1*1

Packing information

Poles	Order Number	SPQ
2	CAHACH50802x000	350
3	CAHACH50803x000	280
4	CAHACH50804x000	250
5	CAHACH50805x000	250
6	CAHACH50806x000	150
7	CAHACH50807x000	150
8	CAHACH50808x000	150
9	CAHACH50809x000	140
10	CAHACH50810x000	140
11	CAHACH50811x000	125
12	CAHACH50812x000	105
13	CAHACH50813x000	100
14	CAHACH50814x000	100
15	CAHACH50815x000	95
16	CAHACH50816x000	90
17	CAHACH50817x000	90
18	CAHACH50818x000	80
19	CAHACH50819x000	75
20	CAHACH50820x000	70
21	CAHACH50821x000	70
22	CAHACH50822x000	70
23	CAHACH50823x000	40
24	CAHACH50824x000	40

Ordering code

CAHA CH 508 xx x xxx
① ② ③ ④ ⑤ ⑥

- ① Type
- ② Product style
- ③ Pitch
- ④ Poles (02-24)
- ⑤ Color
- ⑥ Standard 000 or Custom XXX

Color

0 Black	5 Green
1 Brown	6 Blue
2 Red	G Pale grey
3 Orange	8 Dark grey
4 Yellow	9 White

Key Commercial data

Custom tariff number	8536901000
Country of origin	CN (China)

Mating with headers

CAMAFT508 Series



CAMAFD508 Series



CAMBFR508 Series



CAMBFW508 Series



CAPAFD508 Series



CAPAFD508XXX100 Series

