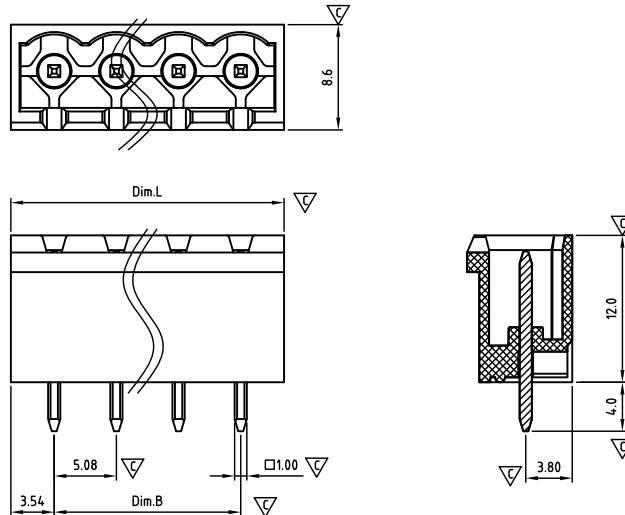




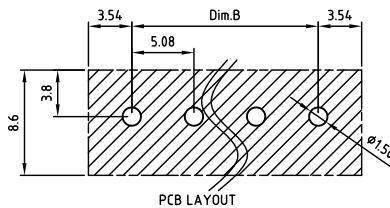
CAHABV508-SERIES


cULus E501953



Critical dimension: ∇

Dim.L=Px5.08		
Dim.B=(P-1)x5.08		
P=Number of poles (02-24)		
	Dim B	Dim L
0-30mm	+/- 0,15	+/- 0,20
over 30-60mm	+/- 0,20	+/- 0,25
over 60-90mm	+/- 0,25	+/- 0,30
over 90mm	+/- 0,30	+/- 0,40



Tolerance	
x.	+/- 0,50
x.x	+/- 0,30
x.xx	+/- 0,10
x°	+/- 1°
	Units:mm

Technical data

Technical data in accordance with UL/cUL

	Use Group	B	C	D
Nominal voltage (V)		300	-	300
Nominal current (A)		15	-	10
Connection capacity (AWG)		-	-	-

Technical data in accordance with IEC and VDE

Rated insulation voltage at pollution degree 2 (V)		320		
Rated current/conductor cross-section (A/mm ²)		12 / -		
Solid/stranded(mm ²)		-		
Surge voltage category/pollution degree	III / 3	III / 2	II / 2	
Rated insulation voltage(V)	250	320	400	
Rated surge voltage(kV)	4	4	4	

General data

Flange nut thread		-
Flange nut tightening torque(Nm)		-
Insulation Withstanding Voltage		AC 1600 / 1min
Insulation Resistance		1000M Ω or more at DC500V
Using temperature range		-40°C-115°C
Soldering temperature		250 \pm 5°C/5s

Materials

Insulation material group		PA 66 I UL94 -V0
PIN		Copper, Tin plated
Flange nut		-
Borehole diameter/pin dimensions(mm)		1.6/1 *1

Packing information

Poles	Order Number	SPQ
2	CAHABV50802x000	600
3	CAHABV50803x000	400
4	CAHABV50804x000	300
5	CAHABV50805x000	250
6	CAHABV50806x000	240
7	CAHABV50807x000	250
8	CAHABV50808x000	170
9	CAHABV50809x000	200
10	CAHABV50810x000	180
11	CAHABV50811x000	180
12	CAHABV50812x000	180
13	CAHABV50813x000	135
14	CAHABV50814x000	110
15	CAHABV50815x000	110
16	CAHABV50816x000	80
17	CAHABV50817x000	80
18	CAHABV50818x000	80
19	CAHABV50819x000	80
20	CAHABV50820x000	80
21	CAHABV50821x000	80
22	CAHABV50822x000	80
23	CAHABV50823x000	80
24	CAHABV50824x000	80

Ordering code

CAHA BV 508 xx x xxx
① ② ③ ④ ⑤ ⑥

- ① Type
- ② Product style
- ③ Pitch
- ④ Poles (02-24)
- ⑤ Color
- ⑥ Standard 000 or Custom XXX

Color

0 Black	5 Green
1 Brown	6 Blue
2 Red	G Pale grey
3 Orange	8 Dark grey
4 Yellow	9 White

Key Commercial data

Custom tariff number	8536901000
Country of origin	CN (China)

Mating with headers

CAMAS T/D 508 Series



CAMBS R/W 508 Series



CAMCSD508 Series



CAMESO508 Series



CAPAS T/D 508 Series



CAPASD508xxx100 Series

