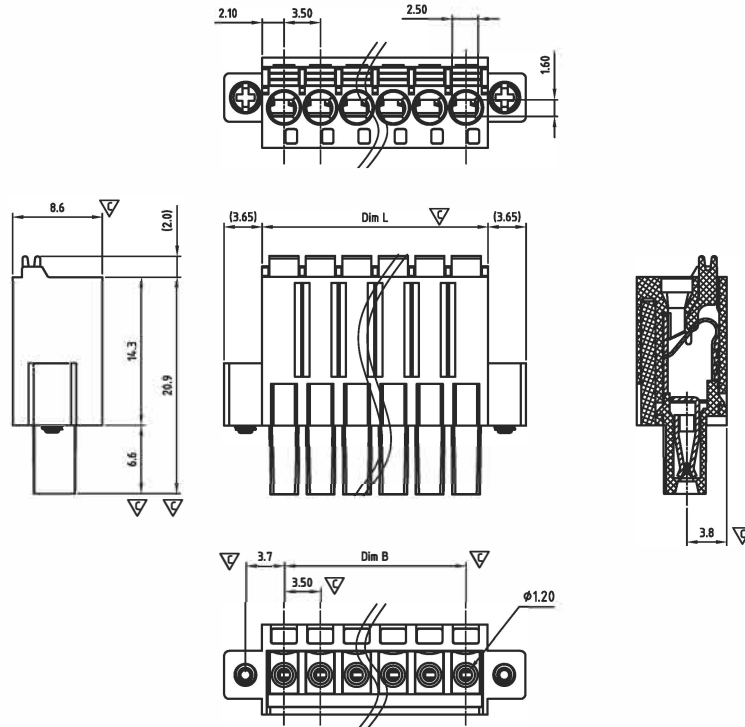


CAPBFD350-SERIES (with light guide)

cULus E501953



Critical dimension: ∇

Dim.L=(P-1)x3.5+4.2

Dim.B=(P-1)x3.5

P=Number of poles (02-24)

	Dim B	Dim L
0-30mm	+/- 0,15	+/- 0,20
over 30-60mm	+/- 0,20	+/- 0,25
over 60-90mm	+/- 0,25	+/- 0,30
over 90mm	+/- 0,30	+/- 0,40

Tolerance	
x	+/- 0,50
x.x	+/- 0,30
x.xx	+/- 0,10
x°	+/-1°
	Units:mm

Technical data

Technical data in accordance with UL/CUL

	Use Group	B	C	D
Nominal voltage (V)	150	-	-	150
Nominal current (A)	8	-	-	8
Connection capacity (AWG)	24-16	-	-	24-16

Technical data in accordance with IEC

Rated insulation voltage at pollution degree 2 (V)	160		
Rated current/conductor cross-section (A/mm ²)	8 / 1.5		
Solid/stranded(mm ²)	0.2-1.5 / 0.2-1.5		
Surge voltage category / pollution degree	III / 3	III / 2	II / 2
Rated insulation voltage(V)	160	160	320
Rated surge voltage(kV)	2.5	2.5	2.5

General data

Stripping length(mm)	9-10
Flange Screw thread	M2.5
Flange Screw tightening torque(Nm)	Max.0.3
Insulation Withstanding Voltage	AC1300V / 1min
Insulation Resistance	1000M Ω or more at DC500V
Using temperature range	-40°C-115°C

Materials

Insulation material group	PA 66 I UL94 -V0
Wire guard	PhBz, Tin plated
Spring	Stainless steel
Flange Screw	Steel, Zn plated

Packing information

Poles	Order Number	SPQ
2	CAPBFD35002xL00	260
3	CAPBFD35003xL00	220
4	CAPBFD35004xL00	200
5	CAPBFD35005xL00	210
6	CAPBFD35006xL00	180
7	CAPBFD35007xL00	150
8	CAPBFD35008xL00	150
9	CAPBFD35009xL00	120
10	CAPBFD35010xL00	120
11	CAPBFD35011xL00	120
12	CAPBFD35012xL00	140
13	CAPBFD35013xL00	90
14	CAPBFD35014xL00	90
15	CAPBFD35015xL00	90
16	CAPBFD35016xL00	90
17	CAPBFD35017xL00	60
18	CAPBFD35018xL00	84
19	CAPBFD35019xL00	60
20	CAPBFD35020xL00	60
21	CAPBFD35021xL00	60
22	CAPBFD35022xL00	60
23	CAPBFD35023xL00	60
24	CAPBFD35024xL00	60

Ordering code

CAPB FD 350 xx x L00
① ② ③ ④ ⑤ ⑥

- ① Type
- ② Product style
- ③ Pitch
- ④ Poles (02-24)
- ⑤ Color
- ⑥ Standard 000 or Custom XXX

Color

0 Black	5 Green
1 Brown	6 Blue
2 Red	G Pale grey
3 Orange	8 Dark grey
4 Yellow	9 White

Key Commercial data

Custom tariff number	8536901000
Country of origin	CN (China)

Mating with headers

CAHACH350xxxL00 Series



CAHACV350xxxL00 Series

