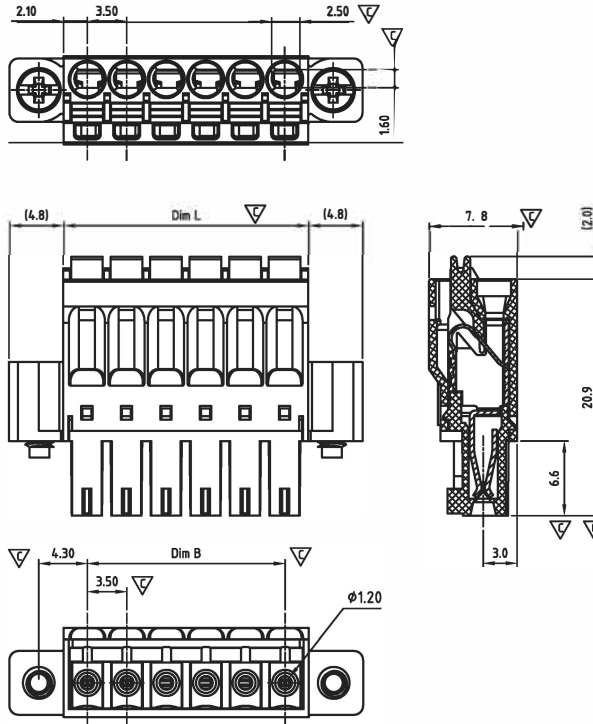


CAPBFD350-SERIES

cULus E501953



Critical dimension: ∇

Dim.L=(P-1)x3.5+4.2

Dim.B=(P-1)x3.5

P=Number of poles (02-24)

	Dim B	Dim L
0-30mm	+/- 0,15	+/- 0,20
over 30-60mm	+/- 0,20	+/- 0,25
over 60-90mm	+/- 0,25	+/- 0,30
over 90mm	+/- 0,30	+/- 0,40

Tolerance	
x	+/- 0,50
x.x	+/- 0,30
x.xx	+/- 0,10
x°	+/- 1°
∇	Units:mm

Technical data

Technical data in accordance with UL/CUL

	Use Group	B	C	D
Nominal voltage (V)	150	-	-	150
Nominal current (A)	8	-	-	8
Connection capacity(AWG)	24-16	-	-	24-16

Technical data in accordance with IEC

Rated insulation voltage at pollution degree 2 (V)	160
Rated current/conductor cross-section (A/mm ²)	8 / 1.5
Solid /stranded(mm ²)	0.2-1.5 / 0.2-1.5
Surge voltage category/pollution degree	III / 3 III / 2 II / 2
Rated insulation voltage(V)	160 160 320
Rated surge voltage(kV)	2.5 2.5 2.5

General data

Stripping length(mm)	9-10
Flange Screw thread	M2.5
Flange Screw tightening torque(Nm)	Max.0.3
Insulation Withstanding Voltage	AC1300V / 1min
Insulation Resistance	1000M Ω or more at DC500V
Using temperature range	-40°C-115°C

Materials

Insulation material group	PA 66 I UL94 -V0
Wire guard	PhBz, Tin plated
Spring	Stainless steel
Flange Screw	Steel, Zn plated

Packing information

Poles	Order Number	SPQ
2	CAPBFD35002x000	260
3	CAPBFD35003x000	220
4	CAPBFD35004x000	200
5	CAPBFD35005x000	210
6	CAPBFD35006x000	180
7	CAPBFD35007x000	150
8	CAPBFD35008x000	150
9	CAPBFD35009x000	120
10	CAPBFD35010x000	120
11	CAPBFD35011x000	120
12	CAPBFD35012x000	140
13	CAPBFD35013x000	90
14	CAPBFD35014x000	90
15	CAPBFD35015x000	90
16	CAPBFD35016x000	90
17	CAPBFD35017x000	60
18	CAPBFD35018x000	84
19	CAPBFD35019x000	60
20	CAPBFD35020x000	60
21	CAPBFD35021x000	60
22	CAPBFD35022x000	60
23	CAPBFD35023x000	60
24	CAPBFD35024x000	60

Ordering code

CAP LD 350 xx x xxx
① ② ③ ④ ⑤ ⑥

- ① Type
- ② Product style
- ③ Pitch
- ④ Poles (02-24)
- ⑤ Color
- ⑥ Standard 000 or Custom XXX

Color

0 Black	5 Green
1 Brown	6 Blue
2 Red	G Pale grey
3 Orange	8 Dark grey
4 Yellow	9 White

Key Commercial data

Custom tariff number	8536901000
Country of origin	CN (China)

Mating with headers

CAHACH350 Series



CAHACV350 Series



CAHFCH350 Series



CAHFVC350 Series

