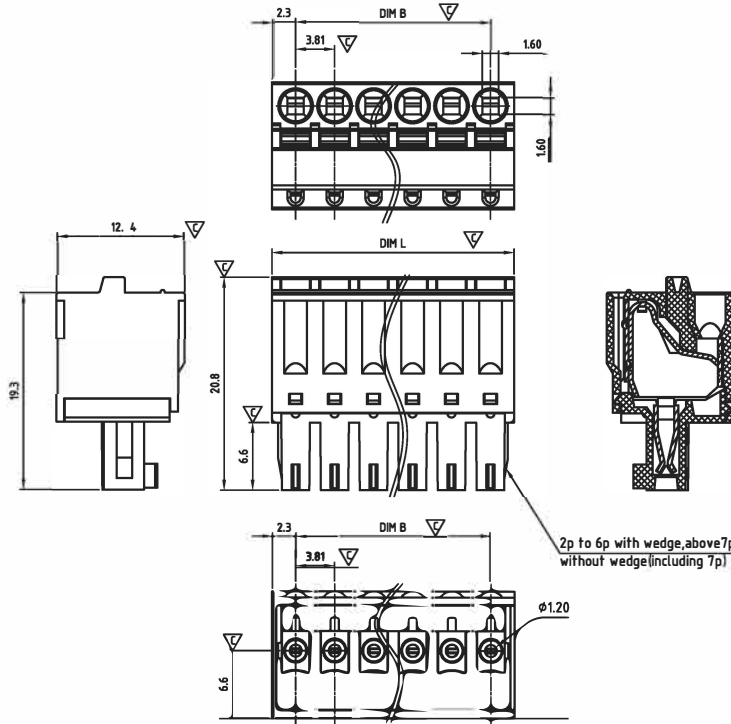


# CAPAST381-SERIES

Pitch 3,81mm

cULus E501953



Critical dimension:  $\nabla$

Dim.L=(P-1)x3.81+4.61

Dim.B=(P-1)x3.81

P=Number of poles (02-24)

	Dim B	Dim L
0-30mm	+/- 0,15	+/- 0,20
over 30-60mm	+/- 0,20	+/- 0,25
over 60-90mm	+/- 0,25	+/- 0,30
over 90mm	+/- 0,30	+/- 0,40

Tolerance	
x	+/- 0,50
x.x	+/- 0,30
x.xx	+/- 0,10
x°	+/-1°

Units:mm

## Technical data

Technical data in accordance with UL/CUL

	Use Group	B	C	D
Nominal voltage (V)	300	-	-	-
Nominal current (A)	8	-	-	-
Connection capacity(AWG)	28-16	-	-	-

Technical data in accordance with IEC

Rated insulation voltage at pollution degree 2 (V)	160
Rated current/conductor cross-section (A/mm <sup>2</sup> )	8 / 1.5
Solid/stranded(mm <sup>2</sup> )	0.14-1.5 / 0.14-1.5
Surge voltage category/pollution degree	III / 3 III / 2 II / 2
Rated insulation voltage(V)	160 160 320
Rated surge voltage(kV)	2.5 2.5 2.5

General data

Stripping length(mm)	8-9
Flange Screw thread	-
Flange Screw tightening torque(Nm)	-
Insulation Withstanding Voltage	AC1600V / 1min
Insulation Resistance	1000M $\Omega$ or more at DC500V
Using temperature range	-40°C-115°C

Materials

Insulation material group	PA 66   UL94 -V0
Wire guard	PhBz, Tin plated
Spring	Stainless steel
Flange Screw	-

## Packing information

Poles	Order Number	SPQ
2	CAPAST38102x000	550
3	CAPAST38103x000	350
4	CAPAST38104x000	250
5	CAPAST38105x000	200
6	CAPAST38106x000	180
7	CAPAST38107x000	140
8	CAPAST38108x000	140
9	CAPAST38109x000	105
10	CAPAST38110x000	105
11	CAPAST38111x000	85
12	CAPAST38112x000	85
13	CAPAST38113x000	80
14	CAPAST38114x000	70
15	CAPAST38115x000	70
16	CAPAST38116x000	70
17	CAPAST38117x000	60
18	CAPAST38118x000	50
19	CAPAST38119x000	50
20	CAPAST38120x000	50
21	CAPAST38121x000	50
22	CAPAST38122x000	40
23	CAPAST38123x000	40
24	CAPAST38124x000	40

## Ordering code

CAPAST381 xx x xxx

① ② ③ ④ ⑤ ⑥

- ① Type
- ② Product style
- ③ Pitch
- ④ Poles (02-24)
- ⑤ Color
- ⑥ Standard 000 or Custom XXX

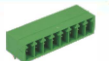
Color	
0 Black	5 Green
1 Brown	6 Blue
2 Red	7 Pale grey
3 Orange	8 Dark grey
4 Yellow	9 White

## Key Commercial data

Custom tariff number	8536901000
Country of origin	CN (China)

## Mating with headers

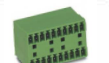
CAHABH381 Series



CAHABV381 Series



CAHAEH381 Series



CAHAEV381 Series

