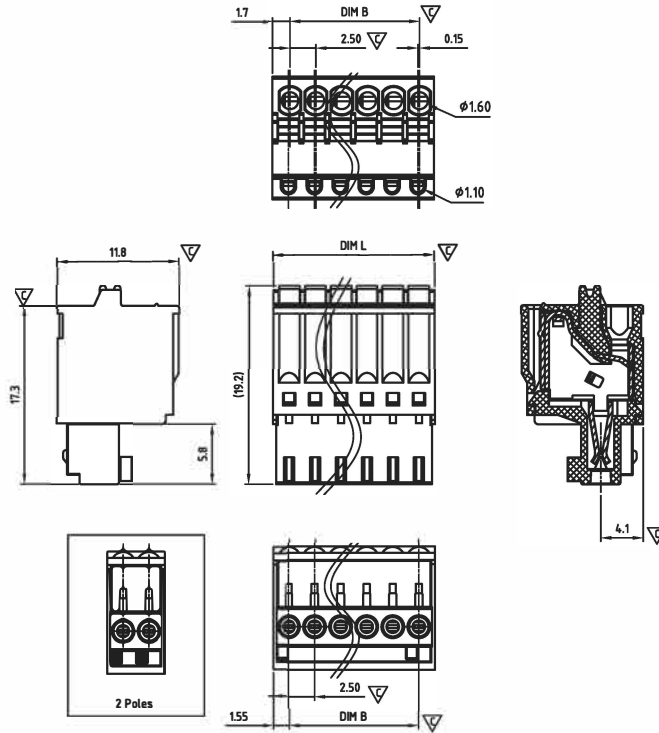




CAPASD250-SERIES

cULus E501953



Critical dimension: ▽

Dim.L= $P \times 2.5 + 0.6$

Dim.B= $(P-1) \times 2.5$

P=Number of poles (02-24)

	Dim B	Dim L
0-30mm	+/- 0,15	+/- 0,20
over 30-60mm	+/- 0,20	+/- 0,25
over 60-90mm	+/- 0,25	+/- 0,30
over 90mm	+/- 0,30	+/- 0,40

Tolerance	
x	+/- 0,50
x.x	+/- 0,30
x.xx	+/- 0,10
x°	+/- 1°
Units:mm	

Technical data

Technical data in accordance with UL/CUL

	Use Group	B	C	D
Nominal voltage (V)	150	-	-	-
Nominal current (A)	4	-	-	-
Connection capacity (AWG)	28-20	-	-	-

Technical data in accordance with IEC

Rated insulation voltage at pollution degree 2 (V)	160
Rated current/conductor cross-section (A/mm ²)	4 / 0.5
Solid/stranded (mm ²)	0.14-0.5 / 0.14-0.5
Surge voltage category/pollution degree	III / 3 III / 2 II / 2
Rated insulation voltage (V)	100 160 320
Rated surge voltage (kV)	1.5 1.5 1.5

General data

Stripping length (mm)	7-8
Flange Screw thread	-
Flange Screw tightening torque (Nm)	-
Insulation Withstanding Voltage	AC1600V / 1min
Insulation Resistance	1000MΩ or more at DC500V
Using temperature range	-40°C-115°C

Materials

Insulation material group	PA 66 I UL94 -V0
Wire guard	PhBz, Tin plated
Spring	Stainless steel
Flange Screw	-

Packing information

Poles	Order Number	SPQ
2	CAPASD25002x000	600
3	CAPASD25003x000	400
4	CAPASD25004x000	300
5	CAPASD25005x000	300
6	CAPASD25006x000	280
7	CAPASD25007x000	240
8	CAPASD25008x000	235
9	CAPASD25009x000	200
10	CAPASD25010x000	165
11	CAPASD25011x000	160
12	CAPASD25012x000	160
13	CAPASD25013x000	140
14	CAPASD25014x000	120
15	CAPASD25015x000	120
16	CAPASD25016x000	120
17	CAPASD25017x000	95
18	CAPASD25018x000	95
19	CAPASD25019x000	95
20	CAPASD25020x000	95
21	CAPASD25021x000	80
22	CAPASD25022x000	80
23	CAPASD25023x000	80
24	CAPASD25024x000	80

Ordering code

CAPA SD 250 xx x xxx
① ② ③ ④ ⑤ ⑥

- ① Type
- ② Product style
- ③ Pitch
- ④ Poles (02-24)
- ⑤ Color
- ⑥ Standard 000 or Custom XXX

Color

0 Black	5 Green
1 Brown	6 Blue
2 Red	7 Pale grey
3 Orange	8 Dark grey
4 Yellow	9 White

Key Commercial data

Custom tariff number	8536901000
Country of origin	CN (China)

Mating with headers

CAHABH250 Series



CAHABV250 Series



CAHAEH250 Series



CAHAEV250 Series

