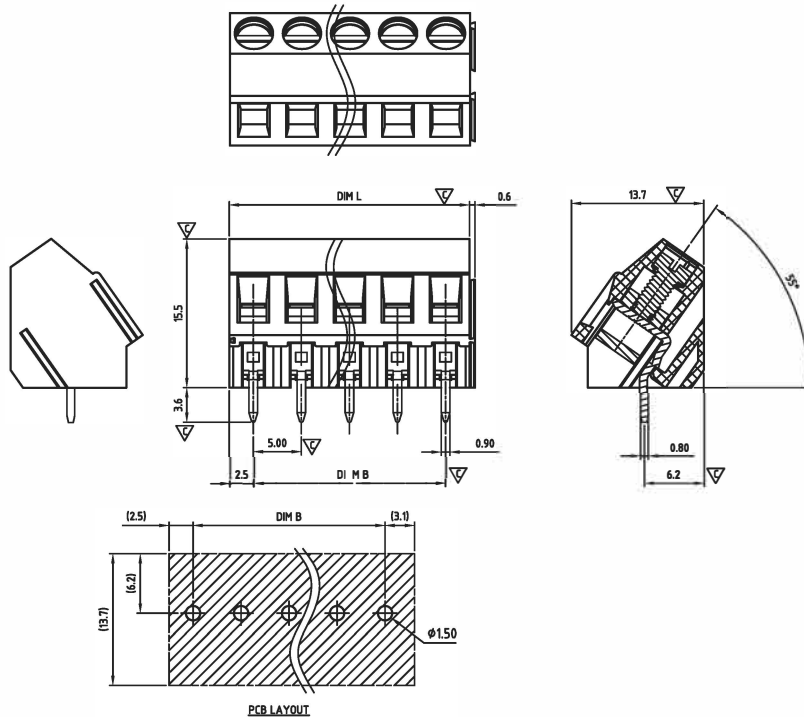


**CAELAM500-SERIES (Solid block)**

Pitch 5,00mm

cULus E501953



Critical dimension: ▽

Dim.L=Px5.0		
Dim.B=(P-1)x5.0		
P=Number of poles (02-24)		
	Dim B	Dim L
0-30mm	+/- 0,15	+/- 0,20
over 30-60mm	+/- 0,20	+/- 0,25
over 60-90mm	+/- 0,25	+/- 0,30
over 90mm	+/- 0,30	+/- 0,40

Tolerance	
x	+/- 0,50
x.x	+/- 0,30
x.xx	+/- 0,10
x°	+/- 1°
Units:mm	

**Technical data**

Technical data in accordance with UL/CUL

	Use Group	B	C	D
Nominal voltage (V)		300	-	300
Nominal current (A)		15	-	10
Connection capacity(AWG)		30-12	-	30-12

Technical data in accordance with IEC

Rated insulation voltage at pollution degree 2 (V)	400		
Rated current/conductor cross-section (A/mm <sup>2</sup> )	24 / 2.5		
Solid/stranded(mm <sup>2</sup> )	0.14-4 / 0.14-2.5		
Surge voltage category/pollution degree	III / 3	III / 2	II / 2
Rated insulation voltage(V)	250	400	630
Rated surge voltage(kV)	4	4	4

General data

Stripping length(mm)	6-7
Screw thread	M2.5
Tightening torque(Nm)	0.40-0.45
Insulation Withstanding Voltage	AC 1600 / 1min
Insulation Resistance	1000MΩ or more at DC500V
Using temperature range	-40°C-115°C

Materials

Insulation material group	PA 66   UL 94 -V0
Contact	Brass, Tin plated
Cage	Brass, Ni plated
Screw	Steel, Zn plated

**Packing information**

Poles	Order Number	SPQ
2	CAELAM50002xS0C	500
3	CAELAM50003xS0C	300
4	CAELAM50004xS0C	180
5	CAELAM50005xS0C	175
6	CAELAM50006xS0C	135
7	CAELAM50007xS0C	115
8	CAELAM50008xS0C	100
9	CAELAM50009xS0C	90
10	CAELAM50010xS0C	85
11	CAELAM50011xS0C	75
12	CAELAM50012xS0C	65
13	CAELAM50013xS0C	65
14	CAELAM50014xS0C	55
15	CAELAM50015xS0C	50
16	CAELAM50016xS0C	50
17	CAELAM50017xS0C	50
18	CAELAM50018xS0C	50
19	CAELAM50019xS0C	45
20	CAELAM50020xS0C	40
21	CAELAM50021xS0C	40
22	CAELAM50022xS0C	35
23	CAELAM50023xS0C	35
24	CAELAM50024xS0C	35

**Ordering code**

CAEL AM 500 xx x S0C

① ② ③ ④ ⑤ ⑥

- ① Type
- ② Product style
- ③ Pitch
- ④ Poles (02-24)
- ⑤ Color
- ⑥ Standard S0C or Custom SXX

Color

0 Black	5 Green
1 Brown	6 Blue
2 Red	7 Pale grey
3 Orange	8 Dark grey
4 Yellow	9 White

**Key Commercial data**

Custom tariff number	8536901000
Country of origin	CN (China)

