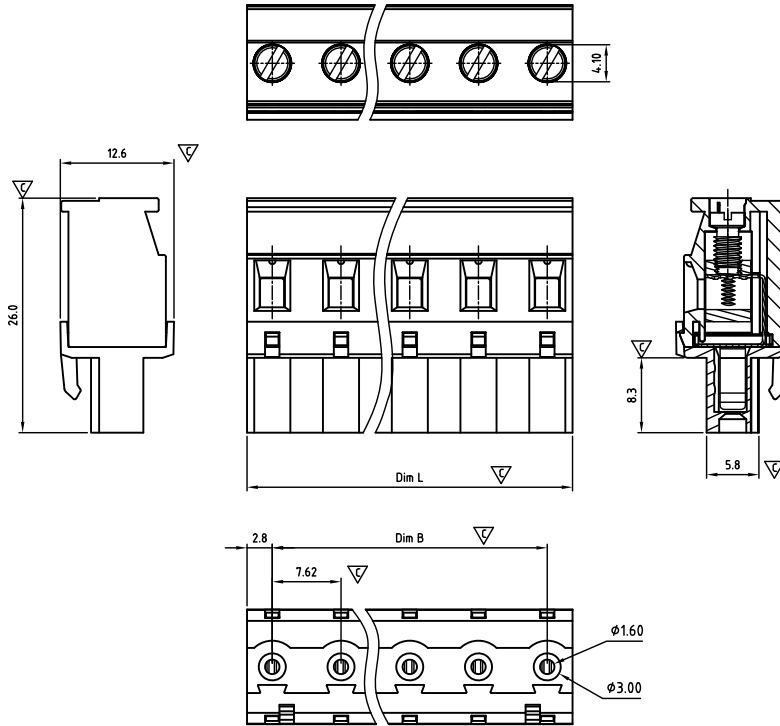




CAMBSW762-SERIES

cULus E501953



Critical dimension: ∇

Dim.L=Px3.5		
Dim.B=(P-1)x3.5		
P=Number of poles (02-16)		
	Dim B	Dim L
0-30mm	+/- 0,15	+/- 0,20
over 30-60mm	+/- 0,20	+/- 0,25
over 60-90mm	+/- 0,25	+/- 0,30
over 90mm	+/- 0,30	+/- 0,40

Tolerance	
x.	+/- 0,50
x.x	+/- 0,30
x.xx	+/- 0,10
x°	+/- 1°
ϕ	Units:mm

Technical data

Technical data in accordance with UL/CUL

	Use Group	B	C	D
Nominal voltage (V)		300	-	300
Nominal current (A)		15	-	10
Connection capacity(AWG)		30-12	-	30-12

Technical data in accordance with IEC

Rated insulation voltage at pollution degree 2 (V)	630		
Rated current/conductor cross-section (A/mm ²)	12 / 2.5		
Solid/stranded(mm ²)	0.2-2.5 / 0.2-2.5		
Surge voltage category/pollution degree	III / 3	III / 2	II / 2
Rated insulation voltage(V)	400	630	1000
Rated surge voltage(kV)	6	6	6

General data

Stripping length(mm)	6-7
Screw thread	M3
Tightening torque(Nm)	0.5-0.6
Insulation Withstanding Voltage	AC1600V / 1min
Insulation Resistance	1000M Ω or more at DC500V
Using temperature range	-40°C-115°C

Materials

Insulation material group	PA 66 I UL94 -V0
Wire guard	PhBz, Tin plated
Cage	Brass, Ni plated
Screw	Steel, Zn plated

Packing information

Poles	Order Number	SPQ
2	CAMBSW76202x000	200
3	CAMBSW76203x000	130
4	CAMBSW76204x000	110
5	CAMBSW76205x000	80
6	CAMBSW76206x000	70
7	CAMBSW76207x000	55
8	CAMBSW76208x000	55
9	CAMBSW76209x000	50
10	CAMBSW76210x000	40
11	CAMBSW76211x000	35
12	CAMBSW76212x000	35
13	CAMBSW76213x000	30
14	CAMBSW76214x000	25
15	CAMBSW76215x000	25
16	CAMBSW76216x000	25

Ordering code

CAMB SW 762 xx x xxx

① ② ③ ④ ⑤ ⑥

- ① Type
- ② Product style
- ③ Pitch
- ④ Poles (02-16)
- ⑤ Color
- ⑥ Standard 000 or Custom XXX

Color

0 Black	5 Green
1 Brown	6 Blue
2 Red	G Pale grey
3 Orange	8 Dark grey
4 Yellow	9 White

Key Commercial data

Custom tariff number	8536901100
Country of origin	CN (China)

Mating with headers

CAHAAH762 Series



CAHAAV762 Series



CAHABH762 Series



CAHABV762 Series

