

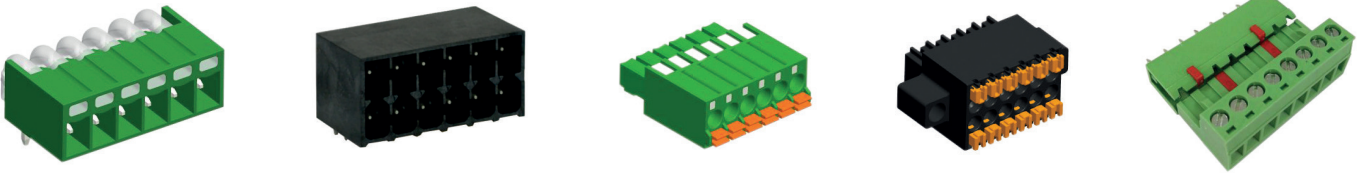
CREATING VALUE

SCREW TYPE PLUGS



CREATING VALUE





COMPANY PROFILE

Cabcon Contacts is a part of the Cabcon Group, which was founded in Copenhagen, Denmark in 2003. Cabcon Contacts are a professional manufacturer of terminal block with a “state of the art” production site in China. The focus in our ISO9001 approved factory in China is quality, lean production and competitive pricing.

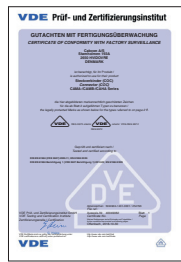
Hard investments have been made in a fully automated production line. Along the production line CCTV systems are installed to monitor and control the production line from the injection, molding, stamping and to the final packing.

To meet the customers demand we offer ink-jet printing and tampon printing and our products can be delivered in trays, boxes and/or Tape on reel.

PRODUCT RANGE

- // Screw type plugs and headers for pluggable system
- // Screwless type plugs for pluggable system
- // PCB screw rising clamp system
- // PCB screw wire protector system
- // PCB spring-cage system
- // PCB barrier screw system
- // Special type Terminal blocks

According to international requirements, most of our products are and will be designed to meet UL and VDE regulations.



CABCON GROUP

As experienced experts in electromechanical products and cable assemblies we support our customers and partners around the world with products, solutions and services in the industrial environment. With our motto “Creating Value” we continuously develop innovative, sustainable and useful solutions for our customers individual needs.

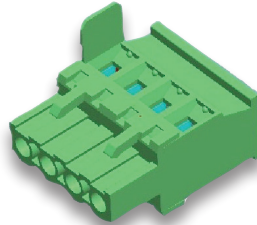
With headquarter in Denmark, divisions in Sweden, Norway and Hong Kong - we meet the customers on site. With our international sales setup, and warehouses in both Europe and Asia we create value with local presence, but global logistics.



OUR SERVICE

CUSTOMIZED PRODUCTS

Terminal blocks or headers for special applications can be developed at CABCON to meet the customer's requirements. Modifications of standard housing and integration of an additional wire connection within the plastic housing are possible.



PRINTING

Terminal blocks and headers can be marked by different methods. CABCON offers its customers two kinds of printing: Ink-jet printing, the cost-effective, fast and flexible solution to print letters or individual characters. The tampon printing is also available. The Tampon print guarantees the best quality and definition. A variety of letters and characters are possible, even on corners and round surfaces. Both types of printing are wipe-proof; the tampon-printing method is also resistant to isopropyl alcohol.



PACKING

We can pack in Tape-on-reel, Trays, Boxes. For printed circuit board assembly in automated processes. CABCON can offer terminal blocks and headers on tape-on-reel, in trays or in boxes. Dimensions and shapes are adapted to the assembly machine. Base on request the tapes/trays/boxes can be supplied in antistatic packaging for ESD protection. Terminal blocks and headers in tape-on-reel or tray packing will be delivered with pick & place pad where needed.

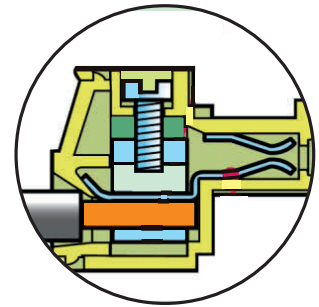


THE CATALOGUE

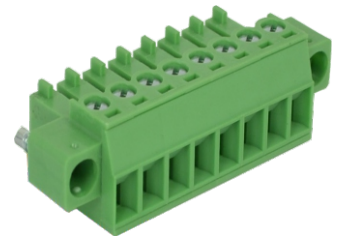
We have made documentation easy to read, by using icons and keeping all relevant information's on one page. Approvals is showed in the drawing, and mating parts is mentioned where available, so it is easy to find mating options. We are trying to update the catalogue frequently for you to have latest information's available.



THIS CATALOGUE CONTAINS SCREW TYPE PLUGS

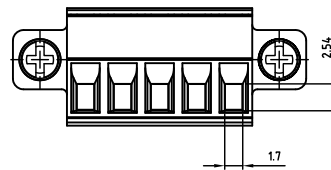
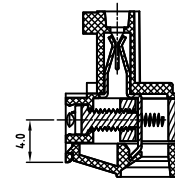
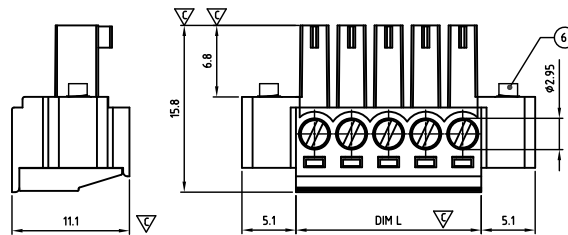
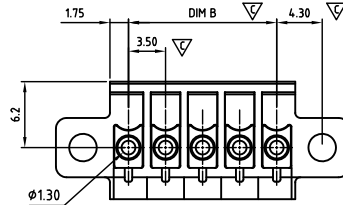


The information in this document is subject to change without further notice.



CAMAFT350-SERIES

cULus E501953



Critical dimension: ∇

Dim.L=Px3.5

Dim.B=(P-1)x3.5

P=Number of poles (02-24)

	Dim B	Dim L
0-30mm	+/- 0,15	+/- 0,20
over 30-60mm	+/- 0,20	+/- 0,25
over 60-90mm	+/- 0,25	+/- 0,30
over 90mm	+/- 0,30	+/- 0,40

Tolerance	
x.	+/- 0,50
x.x	+/- 0,30
x.xx	+/- 0,10
x°	+/- 1°
	Units:mm

Technical data

Technical data in accordance with UL/cUL

	Use Group	B	C	D
Nominal voltage (V)		300	-	300
Nominal current (A)		8	-	8
Connection capacity(AWG)		30-16	-	30-16

Technical data in accordance with IEC and VDE

Rated insulation voltage at pollution degree 2 (V)	160		
Rated current/conductor cross-section (A/mm ²)	8 / 1.5		
Solid/stranded(mm ²)	0.14-1.5 / 0.14-1.5		
Surge voltage category/pollution degree	III / 3	III / 2	II / 2
Rated insulation voltage(V)	160	160	320
Rated surge voltage(kV)	2.5	2.5	2.5

General data

Stripping length(mm)	6-7
Screw thread	M2
Tightening torque(Nm)	0.20-0.25
Insulation Withstanding Voltage	AC1600V / 1min
Insulation Resistance	1000M Ω or more at DC500V
Using temperature range	-40°C-115°C

Materials

Insulation material group	PA 66 I UL94 -V0
Wire guard	PhBz, Tin plated
Cage	Brass, Ni plated
Screw	Steel, Zn plated

Packing information

Poles	Order Number	SPQ
2	CAMAFT35002x000	500
3	CAMAFT35003x000	400
4	CAMAFT35004x000	280
5	CAMAFT35005x000	190
6	CAMAFT35006x000	160
7	CAMAFT35007x000	160
8	CAMAFT35008x000	140
9	CAMAFT35009x000	120
10	CAMAFT35010x000	120
11	CAMAFT35011x000	110
12	CAMAFT35012x000	100
13	CAMAFT35013x000	95
14	CAMAFT35014x000	95
15	CAMAFT35015x000	80
16	CAMAFT35016x000	70
17	CAMAFT35017x000	70
18	CAMAFT35018x000	70
19	CAMAFT35019x000	60
20	CAMAFT35020x000	60
21	CAMAFT35021x000	60
22	CAMAFT35022x000	60
23	CAMAFT35023x000	60
24	CAMAFT35024x000	55

Ordering code

CAMA FT 350 xx x xxx

① ② ③ ④ ⑤ ⑥

- ① Type
- ② Product style
- ③ Pitch
- ④ Poles (02-24)
- ⑤ Color
- ⑥ Standard 000 or Custom XXX

Color

0 Black	5 Green
1 Brown	6 Blue
2 Red	G Pale grey
3 Orange	8 Dark grey
4 Yellow	9 White

Key Commercial data

Custom tariff number	8536901000
Country of origin	CN (China)

Mating with headers

CAHACH350 Series



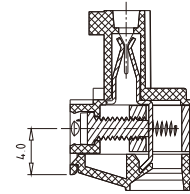
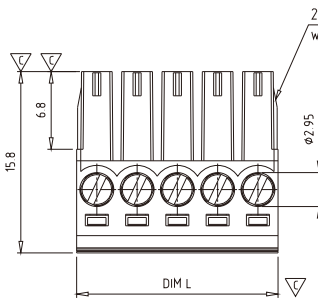
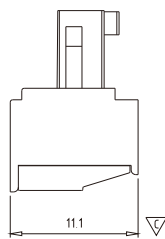
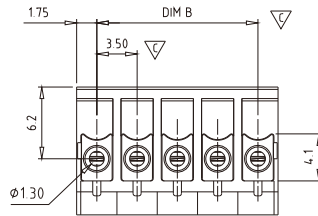
CAHACV350 Series



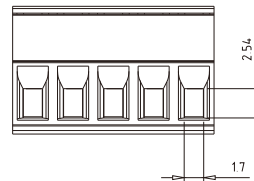


CAMAST350-SERIES

cULus E501953



2p to 6p with wedge, above 7p without wedge (including 7p)



Critical dimension: ▽

Dim.L=Px3.5

Dim.B=(P-1)x3.5

P=Number of poles (02-24)

	Dim B	Dim L
0-30mm	+/- 0,15	+/- 0,20
over 30-60mm	+/- 0,20	+/- 0,25
over 60-90mm	+/- 0,25	+/- 0,30
over 90mm	+/- 0,30	+/- 0,40

Tolerance	
x.	+/- 0,50
x.x	+/- 0,30
x.xx	+/- 0,10
x°	+/- 1°

Units:mm

Technical data

Technical data in accordance with UL/CUL

	Use Group	B	C	D
Nominal voltage (V)		300	-	300
Nominal current (A)		8	-	8
Connection capacity (AWG)		30-16	-	30-16

Technical data in accordance with IEC and VDE

Rated insulation voltage at pollution degree 2 (V)	160		
Rated current/conductor cross-section (A/mm ²)	8 / 1.5		
Solid/stranded (mm ²)	0.14-1.5 / 0.14-1.5		
Surge voltage category/pollution degree	III / 3	III / 2	II / 2
Rated insulation voltage (V)	160	160	320
Rated surge voltage (kV)	2.5	2.5	2.5

General data

Stripping length (mm)	6-7
Screw thread	M2
Tightening torque (Nm)	0.20-0.25
Insulation Withstanding Voltage	AC1600V / 1min
Insulation Resistance	1000MΩ or more at DC500V
Using temperature range	-40°C-115°C

Materials

Insulation material group	PA 66 I UL94 -V0
Wire guard	PhBz, Tin plated
Cage	Brass, Ni plated
Screw	Steel, Zn plated

Packing information

Poles	Order Number	SPQ
2	CAMAST35002x000	650
3	CAMAST35003x000	450
4	CAMAST35004x000	350
5	CAMAST35005x000	280
6	CAMAST35006x000	250
7	CAMAST35007x000	200
8	CAMAST35008x000	165
9	CAMAST35009x000	165
10	CAMAST35010x000	140
11	CAMAST35011x000	140
12	CAMAST35012x000	110
13	CAMAST35013x000	110
14	CAMAST35014x000	110
15	CAMAST35015x000	80
16	CAMAST35016x000	80
17	CAMAST35017x000	80
18	CAMAST35018x000	80
19	CAMAST35019x000	55
20	CAMAST35020x000	55
21	CAMAST35021x000	55
22	CAMAST35022x000	55
23	CAMAST35023x000	55
24	CAMAST35024x000	55

Ordering code

CAMA ST 350 xx x xxx

① ② ③ ④ ⑤ ⑥

- ① Type
- ② Product style
- ③ Pitch
- ④ Poles (02-24)
- ⑤ Color
- ⑥ Standard 000 or Custom XXX

Color

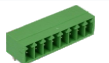
0 Black	5 Green
1 Brown	6 Blue
2 Red	G Pale grey
3 Orange	8 Dark grey
4 Yellow	9 White

Key Commercial data

Custom tariff number	8536901000
Country of origin	CN (China)

Mating with headers

CAHABH350 Series



CAHABV350 Series

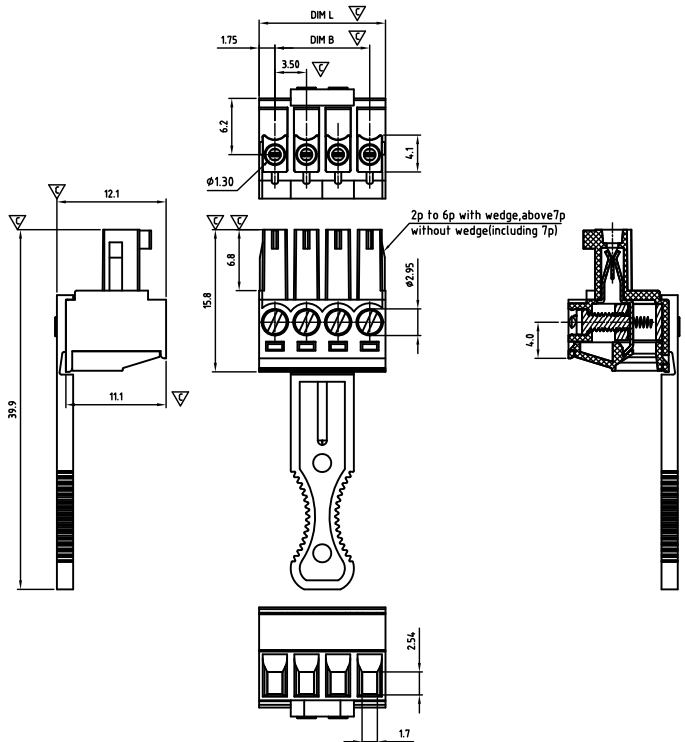




CAMAST350-SERIES

Pitch 3,50mm

cULus E501953
VDE



Dimensions: DIM L, DIM B, 1.75, 3.50, 6.2, 4.1, 12.1, 39.9, 11.1, 15.8, 6.8, 2p to 6p with wedge, above 7p without wedge (including 7p), 6.2, 4.0, 2.54, 1.7

Critical dimension: ∇

Dim.L=Px3.5
Dim.B=(P-1)x3.5
P=Number of poles (02-24)

	Dim B	Dim L
0-30mm	+/- 0,15	+/- 0,20
over 30-60mm	+/- 0,20	+/- 0,25
over 60-90mm	+/- 0,25	+/- 0,30
over 90mm	+/- 0,30	+/- 0,40

Tolerance	
x.	+/- 0,50
x.x	+/- 0,30
x.xx	+/- 0,10
x°	+/- 1°

Units:mm

Technical data

Technical data in accordance with UL/cUL

	Use Group	B	C	D
Nominal voltage (V)		300	-	300
Nominal current (A)		8	-	8
Connection capacity (AWG)		30-16	-	30-16

Technical data in accordance with IEC and VDE

Rated insulation voltage at pollution degree 2 (V)	160		
Rated current/conductor cross-section (A/mm ²)	8 / 1.5		
Solid/stranded (mm ²)	0.14-1.5 / 0.14-1.5		
Surge voltage category/pollution degree	III / 3	III / 2	II / 2
Rated insulation voltage (V)	160	160	320
Rated surge voltage (kV)	2.5	2.5	2.5

General data

Stripping length (mm)	6-7
Screw thread	M2
Tightening torque (Nm)	0.20-0.25
Insulation Withstanding Voltage	AC1600V / 1min
Insulation Resistance	1000M Ω or more at DC500V
Using temperature range	-40°C-115°C

Materials

Insulation material group	PA 66 I UL94 -V0
Wire guard	PhBz, Tin plated
Cage	Brass, Ni plated
Screw	Steel, Zn plated

Packing information

Poles	Order Number	SPQ
2	CAMAST35002XH00	370
3	CAMAST35003XH00	280
4	CAMAST35004XH00	200
5	CAMAST35005XH00	130
6	CAMAST35006XH00	100
7	CAMAST35007XH00	
8	CAMAST35008XH00	84
9	CAMAST35009XH00	
10	CAMAST35010XH00	80
11	CAMAST35011XH00	48
12	CAMAST35012XH00	64
13	CAMAST35013XH00	
14	CAMAST35014XH00	
15	CAMAST35015XH00	
16	CAMAST35016XH00	
17	CAMAST35017XH00	
18	CAMAST35018XH00	40
19	CAMAST35019XH00	
20	CAMAST35020XH00	
21	CAMAST35021XH00	
22	CAMAST35022XH00	
23	CAMAST35023XH00	
24	CAMAST35024XH00	

Ordering code

CAMA ST 350 xx x Hxx
① ② ③ ④ ⑤ ⑥

① Type
② Product style
③ Pitch
④ Poles (02-24)
⑤ Color
⑥ Standard H00 or Custom XXX

Color	
0 Black	5 Green
1 Brown	6 Blue
2 Red	G Pale grey
3 Orange	8 Dark grey
4 Yellow	9 White

Key Commercial data

Custom tariff number	8536901000
Country of origin	CN (China)

Mating with headers

CAHABH350 Series 

CAHABV350 Series 

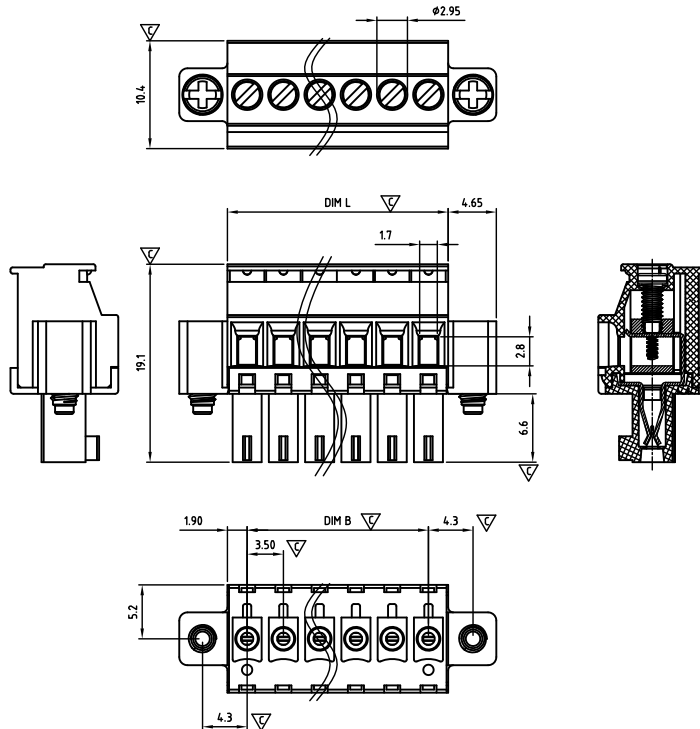




CAMBFR350-SERIES

Pitch 3,50mm

cULus E501953



Critical dimension: ∇

Dim.L= $P \times 3.5 + 0.3$

Dim.B=(P-1) $\times 3.5$

P=Number of poles (02-24)

	Dim B	Dim L
0-30mm	+/- 0,15	+/- 0,20
over 30-60mm	+/- 0,20	+/- 0,25
over 60-90mm	+/- 0,25	+/- 0,30
over 90mm	+/- 0,30	+/- 0,40

Tolerance	
x.	+/- 0,50
x.x	+/- 0,30
x.xx	+/- 0,10
x°	+/- 1°
	Units:mm

Technical data

Technical data in accordance with UL/cUL

	Use Group	B	C	D
Nominal voltage (V)		300	-	300
Nominal current (A)		8	-	8
Connection capacity (AWG)		30-16	-	30-16

Technical data in accordance with IEC and VDE

Rated insulation voltage at pollution degree 2 (V)	160		
Rated current/conductor cross-section (A/mm ²)	8 / 1.5		
Solid/stranded (mm ²)	0.14-1.5 / 0.14-1.5		
Surge voltage category/pollution degree	III / 3	III / 2	II / 2
Rated insulation voltage (V)	160	160	320
Rated surge voltage (kV)	2.5	2.5	2.5

General data

Stripping length (mm)	6-7
Screw thread	M2
Tightening torque (Nm)	0.20-0.25
Insulation Withstanding Voltage	AC1600V / 1min
Insulation Resistance	1000M Ω or more at DC500V
Using temperature range	-40°C-115°C

Materials

Insulation material group	PA 66 I UL94 -V0
Wire guard	PhBz, Tin plated
Cage	Brass, Ni plated
Screw	Steel, Zn plated

Packing information

Poles	Order Number	SPQ
2	CAMBFR35002x000	300
3	CAMBFR35003x000	240
4	CAMBFR35004x000	180
5	CAMBFR35005x000	160
6	CAMBFR35006x000	140
7	CAMBFR35007x000	120
8	CAMBFR35008x000	120
9	CAMBFR35009x000	95
10	CAMBFR35010x000	95
11	CAMBFR35011x000	90
12	CAMBFR35012x000	80
13	CAMBFR35013x000	80
14	CAMBFR35014x000	75
15	CAMBFR35015x000	70
16	CAMBFR35016x000	60
17	CAMBFR35017x000	55
18	CAMBFR35018x000	55
19	CAMBFR35019x000	55
20	CAMBFR35020x000	48
21	CAMBFR35021x000	48
22	CAMBFR35022x000	48
23	CAMBFR35023x000	48
24	CAMBFR35024x000	48

Ordering code

CAMB FR 350 xx x xxx
① ② ③ ④ ⑤ ⑥

- ① Type
- ② Product style
- ③ Pitch
- ④ Poles (02-24)
- ⑤ Color
- ⑥ Standard 000 or Custom XXX

Color

0 Black	5 Green
1 Brown	6 Blue
2 Red	G Pale grey
3 Orange	8 Dark grey
4 Yellow	9 White

Key Commercial data

Custom tariff number	8536901000
Country of origin	CN (China)

Mating with headers

CAHACH350 Series



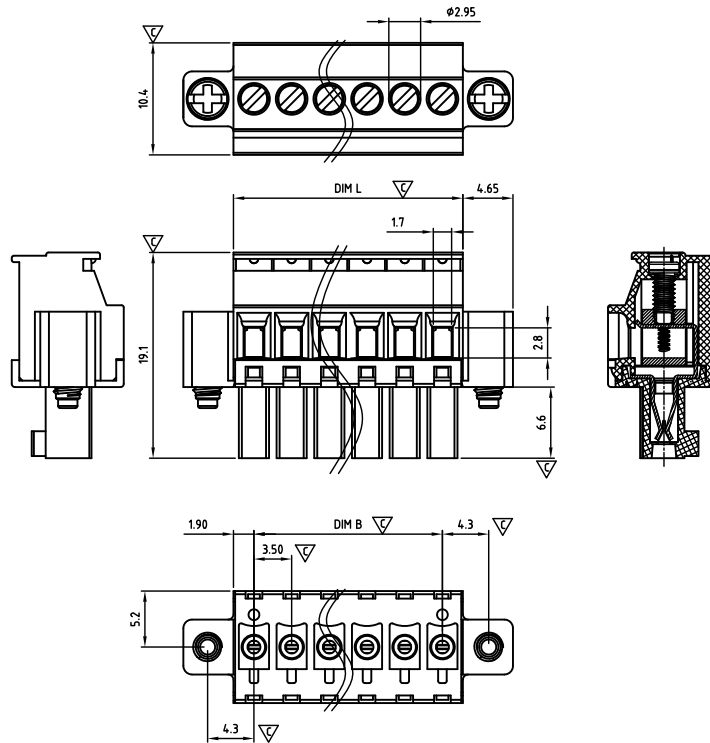
CAHACV350 Series





CAMBFW350-SERIES

cULus E501953



Critical dimension: ▽

Dim.L=Px3.5+0.3		
Dim.B=(P-1)x3.5		
P=Number of poles (02-24)		
	Dim B	Dim L
0-30mm	+/- 0,15	+/- 0,20
over 30-60mm	+/- 0,20	+/- 0,25
over 60-90mm	+/- 0,25	+/- 0,30
over 90mm	+/- 0,30	+/- 0,40

Tolerance	
x.	+/- 0,50
x.x	+/- 0,30
x.xx	+/- 0,10
x°	+/- 1°
	Units:mm

Technical data

Technical data in accordance with UL/CUL

	Use Group	B	C	D
Nominal voltage (V)		300	-	300
Nominal current (A)		8	-	8
Connection capacity(AWG)		30-16	-	30-16

Technical data in accordance with IEC

Rated insulation voltage at pollution degree 2 (V)		160		
Rated current/conductor cross-section (A/mm ²)		8 / 1.5		
Solid/stranded(mm ²)		0.14-1.5 / 0.14-1.5		
Surge voltage category/pollution degree	III / 3	III / 2	II / 2	
Rated insulation voltage(V)	160	160	320	
Rated surge voltage(kV)	2.5	2.5	2.5	

General data

Stripping length(mm)		6-7
Screw thread		M2
Tightening torque(Nm)		0.20-0.25
Insulation Withstanding Voltage		AC1600V / 1min
Insulation Resistance		1000MΩ or more at DC500V
Using temperature range		-40°C-115°C

Materials

Insulation material group		PA 66 I UL94 -V0
Wire guard		PhBz, Tin plated
Cage		Brass, Ni plated
Screw		Steel, Zn plated

Packing information

Poles	Order Number	SPQ
2	CAMBFW35002x000	300
3	CAMBFW35003x000	240
4	CAMBFW35004x000	180
5	CAMBFW35005x000	160
6	CAMBFW35006x000	140
7	CAMBFW35007x000	120
8	CAMBFW35008x000	120
9	CAMBFW35009x000	95
10	CAMBFW35010x000	95
11	CAMBFW35011x000	90
12	CAMBFW35012x000	80
13	CAMBFW35013x000	80
14	CAMBFW35014x000	75
15	CAMBFW35015x000	70
16	CAMBFW35016x000	60
17	CAMBFW35017x000	55
18	CAMBFW35018x000	55
19	CAMBFW35019x000	55
20	CAMBFW35020x000	48
21	CAMBFW35021x000	48
22	CAMBFW35022x000	48
23	CAMBFW35023x000	48
24	CAMBFW35024x000	48

Ordering code

CAMB FW 350 xx x xxx

① ② ③ ④ ⑤ ⑥

- ① Type
- ② Product style
- ③ Pitch
- ④ Poles (02-24)
- ⑤ Color
- ⑥ Standard 000 or Custom XXX

Color

0 Black	5 Green
1 Brown	6 Blue
2 Red	G Pale grey
3 Orange	8 Dark grey
4 Yellow	9 White

Key Commercial data

Custom tariff number	8536901000
Country of origin	CN (China)

Mating with headers

CAHACH350 Series



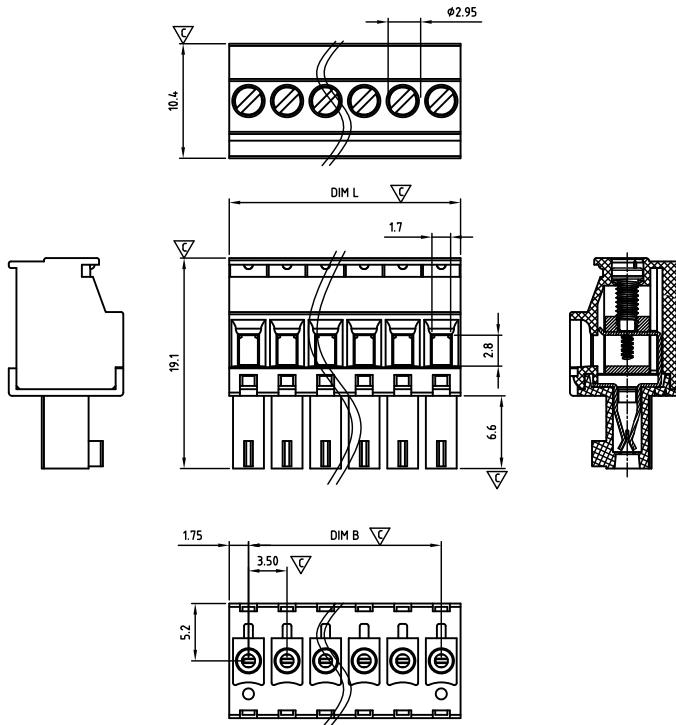
CAHACV350 Series





CAMBSR350-SERIES

cULus E501953



Critical dimension: ∇

Dim.L=Px3.5		
Dim.B=(P-1)x3.5		
P=Number of poles (02-24)		
	Dim B	Dim L
0-30mm	+/- 0,15	+/- 0,20
over 30-60mm	+/- 0,20	+/- 0,25
over 60-90mm	+/- 0,25	+/- 0,30
over 90mm	+/- 0,30	+/- 0,40

Tolerance	
x.	+/- 0,50
x.x	+/- 0,30
x.xx	+/- 0,10
x°	+/- 1°
	Units:mm

Technical data

Technical data in accordance with UL/CUL

	Use Group	B	C	D
Nominal voltage (V)	300	-	-	300
Nominal current (A)	8	-	-	8
Connection capacity(AWG)	30-16	-	-	30-16

Technical data in accordance with IEC

Rated insulation voltage at pollution degree 2 (V)	160		
Rated current/conductor cross-section (A/mm ²)	8 / 1.5		
Solid/stranded(mm ²)	0.14-1.5 / 0.14-1.5		
Surge voltage category/pollution degree	III / 3	III / 2	II / 2
Rated insulation voltage(V)	160	160	320
Rated surge voltage(kV)	2.5	2.5	2.5

General data

Stripping length(mm)	6-7
Screw thread	M2
Tightening torque(Nm)	0.20-0.25
Insulation Withstanding Voltage	AC1600V / 1min
Insulation Resistance	1000M Ω or more at DC500V
Using temperature range	-40°C-115°C

Materials

Insulation material group	PA 66 I UL94 -V0
Wire guard	PhBz, Tin plated
Cage	Brass, Ni plated
Screw	Steel, Zn plated

Packing information

Poles	Order Number	SPQ
2	CAMBSR35002x000	520
3	CAMBSR35003x000	350
4	CAMBSR35004x000	250
5	CAMBSR35005x000	215
6	CAMBSR35006x000	200
7	CAMBSR35007x000	165
8	CAMBSR35008x000	140
9	CAMBSR35009x000	120
10	CAMBSR35010x000	120
11	CAMBSR35011x000	95
12	CAMBSR35012x000	95
13	CAMBSR35013x000	70
14	CAMBSR35014x000	70
15	CAMBSR35015x000	70
16	CAMBSR35016x000	70
17	CAMBSR35017x000	45
18	CAMBSR35018x000	45
19	CAMBSR35019x000	45
20	CAMBSR35020x000	45
21	CAMBSR35021x000	45
22	CAMBSR35022x000	45
23	CAMBSR35023x000	45
24	CAMBSR35024x000	45

Ordering code

CAMB SR 350 xx x xxx
① ② ③ ④ ⑤ ⑥

- ① Type
- ② Product style
- ③ Pitch
- ④ Poles (02-24)
- ⑤ Color
- ⑥ Standard 000 or Custom XXX

Color

0 Black	5 Green
1 Brown	6 Blue
2 Red	G Pale grey
3 Orange	8 Dark grey
4 Yellow	9 White

Key Commercial data

Custom tariff number	8536901000
Country of origin	CN (China)

Mating with headers

CAHABH350 Series



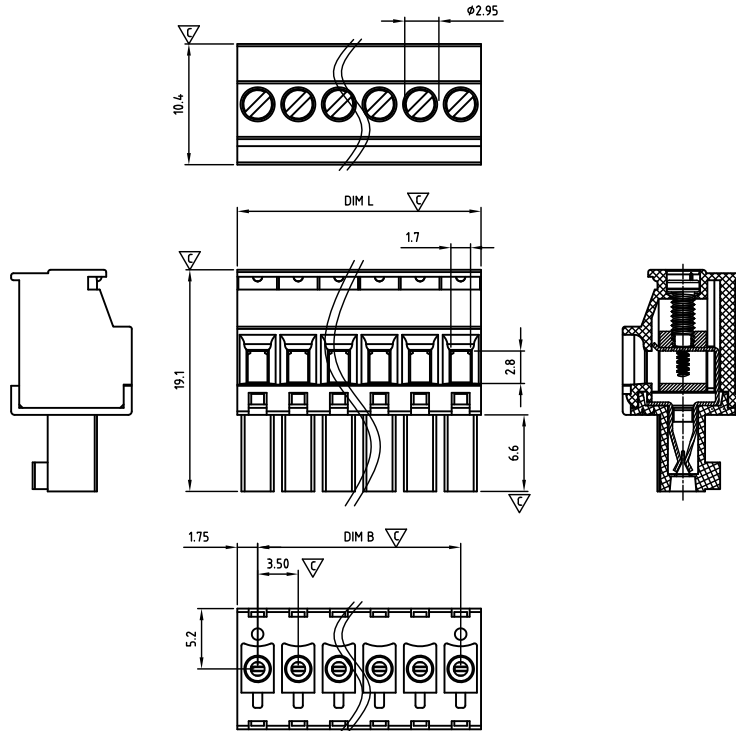
CAHABV350 Series





CAMBSW350-SERIES

cULus E501953



Critical dimension: ∇

Dim.L=Px3.5		
Dim.B=(P-1)x3.5		
P=Number of poles (02-24)		
	Dim B	Dim L
0-30mm	+/- 0,15	+/- 0,20
over 30-60mm	+/- 0,20	+/- 0,25
over 60-90mm	+/- 0,25	+/- 0,30
over 90mm	+/- 0,30	+/- 0,40

Tolerance	
x.	+/- 0,50
x.x	+/- 0,30
x.xx	+/- 0,10
x°	+/- 1°
ϕ	Units:mm

Technical data

Technical data in accordance with UL/CUL

	Use Group	B	C	D
Nominal voltage (V)		300	-	300
Nominal current (A)		8	-	8
Connection capacity(AWG)		30-16	-	30-16

Technical data in accordance with IEC

Rated insulation voltage at pollution degree 2 (V)		160	
Rated current/conductor cross-section (A/mm ²)		8 / 1.5	
Solid/stranded(mm ²)		0.14-1.5 / 0.14-1.5	
Surge voltage category/pollution degree	III / 3	III / 2	II / 2
Rated insulation voltage(V)	160	160	320
Rated surge voltage(kV)	2.5	2.5	2.5

General data

Stripping length(mm)		6-7
Screw thread		M2
Tightening torque(Nm)		0.20-0.25
Insulation Withstanding Voltage		AC1600V / 1min
Insulation Resistance		1000M Ω or more at DC500V
Using temperature range		-40°C-115°C

Materials

Insulation material group		PA 66 I UL94 -V0
Wire guard		PhBz, Tin plated
Cage		Brass, Ni plated
Screw		Steel, Zn plated

Packing information

Poles	Order Number	SPQ
2	CAMBSW35002x000	520
3	CAMBSW35003x000	350
4	CAMBSW35004x000	250
5	CAMBSW35005x000	215
6	CAMBSW35006x000	200
7	CAMBSW35007x000	165
8	CAMBSW35008x000	140
9	CAMBSW35009x000	120
10	CAMBSW35010x000	120
11	CAMBSW35011x000	95
12	CAMBSW35012x000	95
13	CAMBSW35013x000	70
14	CAMBSW35014x000	70
15	CAMBSW35015x000	70
16	CAMBSW35016x000	70
17	CAMBSW35017x000	45
18	CAMBSW35018x000	45
19	CAMBSW35019x000	45
20	CAMBSW35020x000	45
21	CAMBSW35021x000	45
22	CAMBSW35022x000	45
23	CAMBSW35023x000	45
24	CAMBSW35024x000	45

Ordering code

CAMB SW 350 xx x xxx

① ② ③ ④ ⑤ ⑥

- ① Type
- ② Product style
- ③ Pitch
- ④ Poles (02-24)
- ⑤ Color
- ⑥ Standard 000 or Custom XXX

Color

0 Black	5 Green
1 Brown	6 Blue
2 Red	G Pale grey
3 Orange	8 Dark grey
4 Yellow	9 White

Key Commercial data

Custom tariff number	8536901000
Country of origin	CN (China)

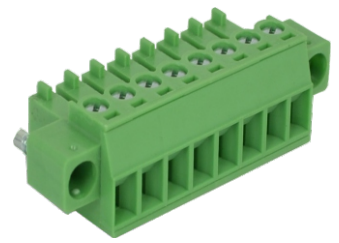
Mating with headers

CAHABH350 Series



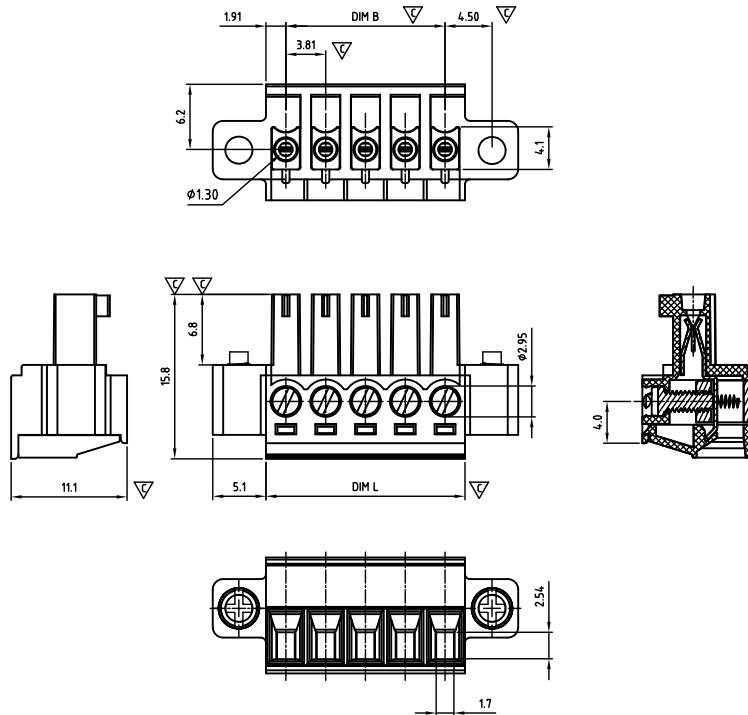
CAHABV350 Series





CAMAFT381-SERIES

cULus E501953



Critical dimension: ▽

Dim.L=Px3.81		
Dim.B=(P-1)x3.81		
P=Number of poles (02-24)		
	Dim B	Dim L
0-30mm	+/- 0,15	+/- 0,20
over 30-60mm	+/- 0,20	+/- 0,25
over 60-90mm	+/- 0,25	+/- 0,30
over 90mm	+/- 0,30	+/- 0,40

Tolerance	
x.	+/- 0,50
x.x	+/- 0,30
x.xx	+/- 0,10
x°	+/- 1°
Units:mm	

Technical data

Technical data in accordance with UL/cUL

	Use Group	B	C	D
Nominal voltage (V)		300	-	300
Nominal current (A)		8	-	8
Connection capacity(AWG)		30-16	-	30-16

Technical data in accordance with IEC and VDE

Rated insulation voltage at pollution degree 2 (V)	160		
Rated current/conductor cross-section (A/mm ²)	8 / 1.5		
Solid/stranded(mm ²)	0.14-1.5 / 0.14-1.5		
Surge voltage category/pollution degree	III / 3	III / 2	II / 2
Rated insulation voltage(V)	160	160	320
Rated surge voltage(kV)	2.5	2.5	2.5

General data

Stripping length(mm)	6-7
Screw thread	M2
Tightening torque(Nm)	0.20-0.25
Insulation Withstanding Voltage	Ac1600V / 1min
Insulation Resistance	1000MΩ or more at DC500V
Using temperature range	-40°C-115°C

Materials

Insulation material group	PA 66 I UL94 -V0
Wire guard	PhBz, Tin plated
Cage	Brass, Ni plated
Screw	Steel, Zn plated

Packing information

Poles	Order Number	SPQ
2	CAMAFT38102x000	400
3	CAMAFT38103x000	350
4	CAMAFT38104x000	280
5	CAMAFT38105x000	200
6	CAMAFT38106x000	200
7	CAMAFT38107x000	150
8	CAMAFT38108x000	140
9	CAMAFT38109x000	120
10	CAMAFT38110x000	110
11	CAMAFT38111x000	100
12	CAMAFT38112x000	95
13	CAMAFT38113x000	95
14	CAMAFT38114x000	80
15	CAMAFT38115x000	70
16	CAMAFT38116x000	70
17	CAMAFT38117x000	70
18	CAMAFT38118x000	60
19	CAMAFT38119x000	60
20	CAMAFT38120x000	60
21	CAMAFT38121x000	60
22	CAMAFT38122x000	55
23	CAMAFT38123x000	50
24	CAMAFT38124x000	50

Ordering code

CAMA FT 381 xx x xxx
① ② ③ ④ ⑤ ⑥

- ① Type
- ② Product style
- ③ Pitch
- ④ Poles (02-24)
- ⑤ Color
- ⑥ Standard 000 or Custom XXX

Color

0 Black	5 Green
1 Brown	6 Blue
2 Red	G Pale grey
3 Orange	8 Dark grey
4 Yellow	9 White

Key Commercial data

Custom tariff number	8536901000
Country of origin	CN (China)

Mating with headers

CAHACH381 Series



CAHACV381 Series



CAHAFH381 Series



CAHAFV381 Series



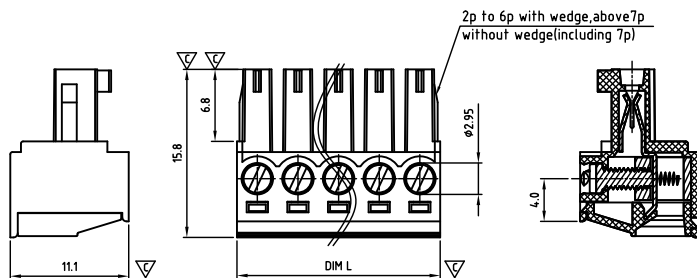
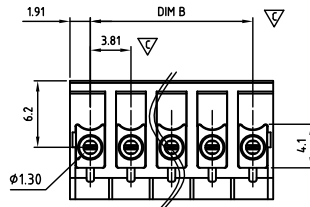
CAHECV381 Series





CAMAST381-SERIES

cULus E501953



Critical dimension: ▽

Dim.L=Px3.81		
Dim.B=(P-1)x3.81		
P=Number of poles (02-24)		
	Dim B	Dim L
0-30mm	+/- 0,15	+/- 0,20
over 30-60mm	+/- 0,20	+/- 0,25
over 60-90mm	+/- 0,25	+/- 0,30
over 90mm	+/- 0,30	+/- 0,40

Tolerance	
x.	+/- 0,50
x.x	+/- 0,30
x.xx	+/- 0,10
x°	+/- 1°
	Units:mm

Technical data

Technical data in accordance with UL/CUL

	Use Group	B	C	D
Nominal voltage (V)		300	-	300
Nominal current (A)		8	-	8
Connection capacity(AWG)		30-16	-	30-16

Technical data in accordance with IEC and VDE

Rated insulation voltage at pollution degree 2 (V)	160		
Rated current/conductor cross-section (A/mm ²)	8 / 1.5		
Solid/stranded(mm ²)	0.14-1.5 / 0.14-1.5		
Surge voltage category/pollution degree	III / 3	III / 2	II / 2
Rated insulation voltage(V)	160	160	320
Rated surge voltage(kV)	2.5	2.5	2.5

General data

Stripping length(mm)	6-7
Screw thread	M2
Tightening torque(Nm)	0.20-0.25
Insulation Withstanding Voltage	AC1600V / 1min
Insulation Resistance	1000MΩ or more at DC500V
Using temperature range	-40°C-115°C

Materials

Insulation material group	PA 66 I UL94 -V0
Wire guard	PhBz, Tin plated
Cage	Brass, Ni plated
Screw	Steel, Zn plated

Packing information

Poles	Order Number	SPQ
2	CAMAST38102x000	620
3	CAMAST38103x000	500
4	CAMAST38104x000	350
5	CAMAST38105x000	300
6	CAMAST38106x000	250
7	CAMAST38107x000	200
8	CAMAST38108x000	180
9	CAMAST38109x000	140
10	CAMAST38110x000	140
11	CAMAST38111x000	110
12	CAMAST38112x000	110
13	CAMAST38113x000	110
14	CAMAST38114x000	80
15	CAMAST38115x000	80
16	CAMAST38116x000	80
17	CAMAST38117x000	55
18	CAMAST38118x000	55
19	CAMAST38119x000	55
20	CAMAST38120x000	55
21	CAMAST38121x000	55
22	CAMAST38122x000	55
23	CAMAST38123x000	55
24	CAMAST38124x000	55

Ordering code

CAMA ST 381 xx x xxx
① ② ③ ④ ⑤ ⑥

- ① Type
- ② Product style
- ③ Pitch
- ④ Poles (02-24)
- ⑤ Color
- ⑥ Standard 000 or Custom XXX

Color

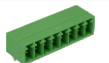
0 Black	5 Green
1 Brown	6 Blue
2 Red	G Pale grey
3 Orange	8 Dark grey
4 Yellow	9 White

Key Commercial data

Custom tariff number	8536901000
Country of origin	CN (China)

Mating with headers

CAHABH381 Series



CAHABV381 Series



CAHAEH381 Series



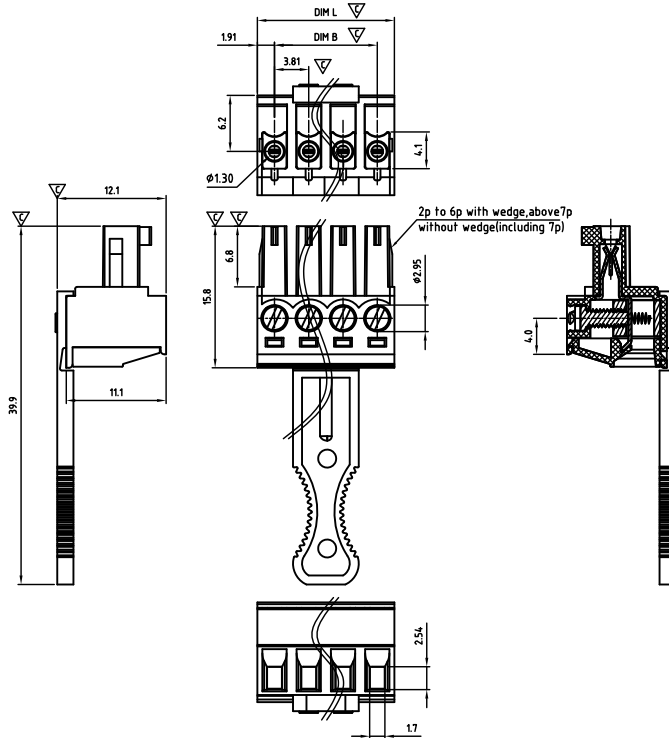
CAHAEV381 Series





CAMAST381-SERIES

cULus E501953



Critical dimension: ∇

Dim.L=Px3.81

Dim.B=(P-1)x3.81

P=Number of poles (02-24)

	Dim B	Dim L
0-30mm	+/- 0,15	+/- 0,20
over 30-60mm	+/- 0,20	+/- 0,25
over 60-90mm	+/- 0,25	+/- 0,30
over 90mm	+/- 0,30	+/- 0,40

Tolerance	
x.	+/- 0,50
x.x	+/- 0,30
x.xx	+/- 0,10
x°	+/- 1°

Units:mm

Technical data

Technical data in accordance with UL/CUL

	Use Group	B	C	D
Nominal voltage (V)		300	-	300
Nominal current (A)		8	-	8
Connection capacity (AWG)		30-16	-	30-16

Technical data in accordance with IEC and VDE

Rated insulation voltage at pollution degree 2 (V)	160		
Rated current/conductor cross-section (A/mm ²)	8 / 1.5		
Solid/stranded (mm ²)	0.14-1.5 / 0.14-1.5		
Surge voltage category/pollution degree	III / 3	III / 2	II / 2
Rated insulation voltage (V)	160	160	320
Rated surge voltage (kV)	2.5	2.5	2.5

General data

Stripping length (mm)	6-7
Screw thread	M2
Tightening torque (Nm)	0.20-0.25
Insulation Withstanding Voltage	AC1600V / 1min
Insulation Resistance	1000MΩ or more at DC500V
Using temperature range	-40°C-115°C

Materials

Insulation material group	PA 66 I UL94 -V0
Wire guard	PhBz, Tin plated
Cage	Brass, Ni plated
Screw	Steel, Zn plated

Packing information

Poles	Order Number	SPQ
2	CAMAST38102xH00	370
3	CAMAST38103xH00	280
4	CAMAST38104xH00	200
5	CAMAST38105xH00	130
6	CAMAST38106xH00	100
7	CAMAST38107xH00	
8	CAMAST38108xH00	84
9	CAMAST38109xH00	
10	CAMAST38110xH00	80
11	CAMAST38111xH00	48
12	CAMAST38112xH00	64
13	CAMAST38113xH00	
14	CAMAST38114xH00	
15	CAMAST38115xH00	
16	CAMAST38116xH00	
17	CAMAST38117xH00	
18	CAMAST38118xH00	40
19	CAMAST38119xH00	
20	CAMAST38120xH00	
21	CAMAST38121xH00	
22	CAMAST38122xH00	
23	CAMAST38123xH00	
24	CAMAST38124xH00	

Ordering code

CAMA ST 381 xx x Hxx

① ② ③ ④ ⑤ ⑥

- ① Type
- ② Product style
- ③ Pitch
- ④ Poles (02-24)
- ⑤ Color
- ⑥ Standard H00 or Custom XXX

Color

0 Black	5 Green
1 Brown	6 Blue
2 Red	G Pale grey
3 Orange	8 Dark grey
4 Yellow	9 White

Key Commercial data

Custom tariff number	8536901000
Country of origin	CN (China)

Mating with headers

CAHABH381 Series



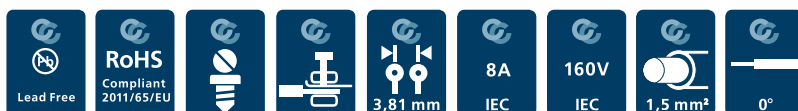
CAHABV381 Series



CAHAEH381 Series



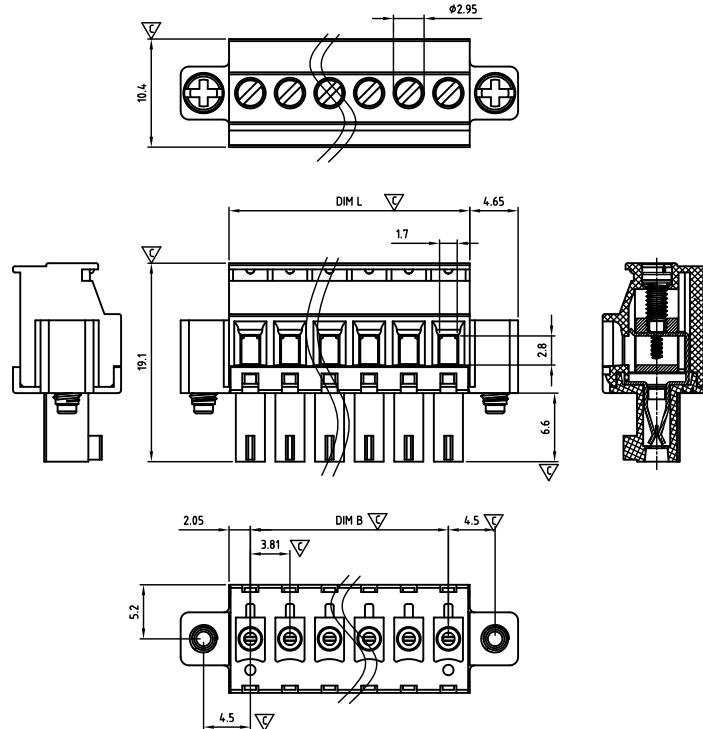
CAHAEV381 Series





CAMBFR381-SERIES

cULus E501953



Critical dimension: ▽

Dim.L=Px3.81+0.3

Dim.B=(P-1)x3.81

P=Number of poles (02-24)

	Dim B	Dim L
0-30mm	+/- 0,15	+/- 0,20
over 30-60mm	+/- 0,20	+/- 0,25
over 60-90mm	+/- 0,25	+/- 0,30
over 90mm	+/- 0,30	+/- 0,40

Tolerance	
x.	+/- 0,50
x.x	+/- 0,30
x.xx	+/- 0,10
x°	+/- 1°

Units:mm

Technical data

Technical data in accordance with UL/CUL

	Use Group	B	C	D
Nominal voltage (V)		300	-	300
Nominal current (A)		8	-	8
Connection capacity(AWG)		30-16	-	30-16

Technical data in accordance with IEC and VDE

Rated insulation voltage at pollution degree 2 (V)	160		
Rated current/conductor cross-section (A/mm ²)	8 / 1.5		
Solid/stranded(mm ²)	0.14-1.5 / 0.14-1.5		
Surge voltage category/pollution degree	III / 3	III / 2	II / 2
Rated insulation voltage(V)	160	160	320
Rated surge voltage(kV)	2.5	2.5	2.5

General data

Stripping length(mm)	6-7
Screw thread	M2
Tightening torque(Nm)	0.20-0.25
Insulation Withstanding Voltage	AC1600V / 1min
Insulation Resistance	1000MΩ or more at DC500V
Using temperature range	-40°C-115°C

Materials

Insulation material group	PA 66 I UL94 -V0
Wire guard	PhBz, Tin plated
Cage	Brass, Ni plated
Screw	Steel, Zn plated

Packing information

Poles	Order Number	SPQ
2	CAMBFR38102x000	300
3	CAMBFR38103x000	240
4	CAMBFR38104x000	180
5	CAMBFR38105x000	160
6	CAMBFR38106x000	140
7	CAMBFR38107x000	120
8	CAMBFR38108x000	120
9	CAMBFR38109x000	95
10	CAMBFR38110x000	95
11	CAMBFR38111x000	90
12	CAMBFR38112x000	80
13	CAMBFR38113x000	80
14	CAMBFR38114x000	75
15	CAMBFR38115x000	70
16	CAMBFR38116x000	60
17	CAMBFR38117x000	55
18	CAMBFR38118x000	55
19	CAMBFR38119x000	55
20	CAMBFR38120x000	48
21	CAMBFR38121x000	48
22	CAMBFR38122x000	48
23	CAMBFR38123x000	48
24	CAMBFR38124x000	48

Ordering code

CAMB FR 381 xx x xxx
① ② ③ ④ ⑤ ⑥

- ① Type
- ② Product style
- ③ Pitch
- ④ Poles (02-24)
- ⑤ Color
- ⑥ Standard 000 or Custom XXX

Color

0 Black	5 Green
1 Brown	6 Blue
2 Red	G Pale grey
3 Orange	8 Dark grey
4 Yellow	9 White

Key Commercial data

Custom tariff number	8536901000
Country of origin	CN (China)

Mating with headers

CAHACH381 Series



CAHACV381 Series



CAHAFH381 Series



CAHAFV381 Series



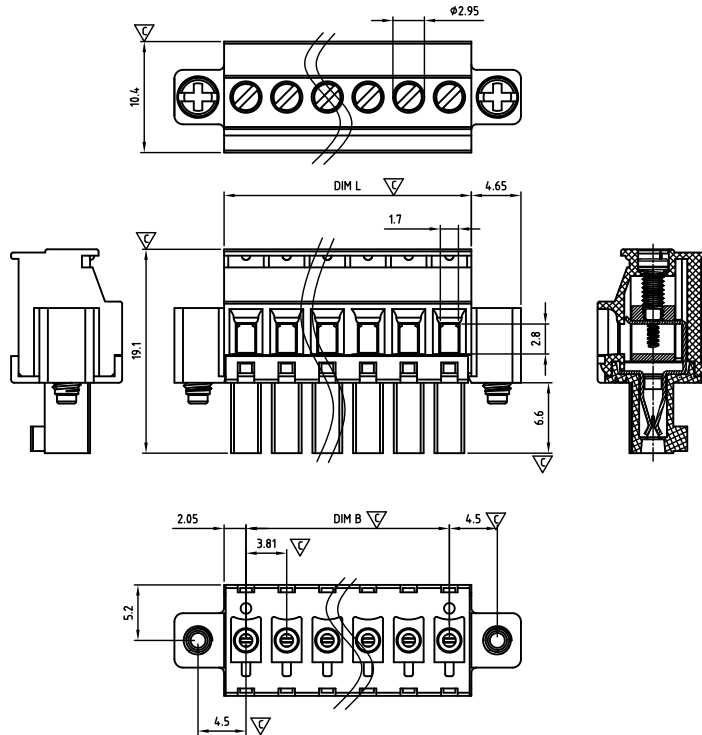
CAHECV381 Series





CAMBFW381-SERIES

cULus E501953



Critical dimension: ∇

Dim.L= $P \times 3.81 + 0.3$

Dim.B= $(P-1) \times 3.81$

P=Number of poles (02-24)

	Dim B	Dim L
0-30mm	+/- 0,15	+/- 0,20
over 30-60mm	+/- 0,20	+/- 0,25
over 60-90mm	+/- 0,25	+/- 0,30
over 90mm	+/- 0,30	+/- 0,40

Tolerance	
x.	+/- 0,50
x.x	+/- 0,30
x.xx	+/- 0,10
x°	+/- 1°
\varnothing	Units:mm

Technical data

Technical data in accordance with UL/CUL

	Use Group	B	C	D
Nominal voltage (V)		300	-	300
Nominal current (A)		8	-	8
Connection capacity (AWG)		30-16	-	30-16

Technical data in accordance with IEC

Rated insulation voltage at pollution degree 2 (V)	160		
Rated current/conductor cross-section (A/mm ²)	8 / 1.5		
Solid/stranded (mm ²)	0.14-1.5 / 0.14-1.5		
Surge voltage category/pollution degree	III / 3	III / 2	II / 2
Rated insulation voltage (V)	160	160	320
Rated surge voltage (kV)	2.5	2.5	2.5

General data

Stripping length (mm)	6-7
Screw thread	M2
Tightening torque (Nm)	0.20-0.25
Insulation Withstanding Voltage	AC1600V / 1min
Insulation Resistance	1000M Ω or more at DC500V
Using temperature range	-40°C-115°C

Materials

Insulation material group	PA 66 I UL94 -V0
Wire guard	PhBz, Tin plated
Cage	Brass, Ni plated
Screw	Steel, Zn plated

Packing information

Poles	Order Number	SPQ
2	CAMBFW38102x000	300
3	CAMBFW38103x000	240
4	CAMBFW38104x000	180
5	CAMBFW38105x000	160
6	CAMBFW38106x000	140
7	CAMBFW38107x000	120
8	CAMBFW38108x000	120
9	CAMBFW38109x000	95
10	CAMBFW38110x000	95
11	CAMBFW38111x000	90
12	CAMBFW38112x000	80
13	CAMBFW38113x000	80
14	CAMBFW38114x000	75
15	CAMBFW38115x000	70
16	CAMBFW38116x000	60
17	CAMBFW38117x000	55
18	CAMBFW38118x000	55
19	CAMBFW38119x000	55
20	CAMBFW38120x000	48
21	CAMBFW38121x000	48
22	CAMBFW38122x000	48
23	CAMBFW38123x000	48
24	CAMBFW38124x000	48

Ordering code

CAMB FW 381 xx x xxx

① ② ③ ④ ⑤ ⑥

- ① Type
- ② Product style
- ③ Pitch
- ④ Poles (02-24)
- ⑤ Color
- ⑥ Standard 000 or Custom XXX

Color

0 Black	5 Green
1 Brown	6 Blue
2 Red	G Pale grey
3 Orange	8 Dark grey
4 Yellow	9 White

Key Commercial data

Custom tariff number	8536901000
Country of origin	CN (China)

Mating with headers

CAHACH381 Series



CAHACV381 Series



CAHAFH381 Series



CAHAFV381 Series



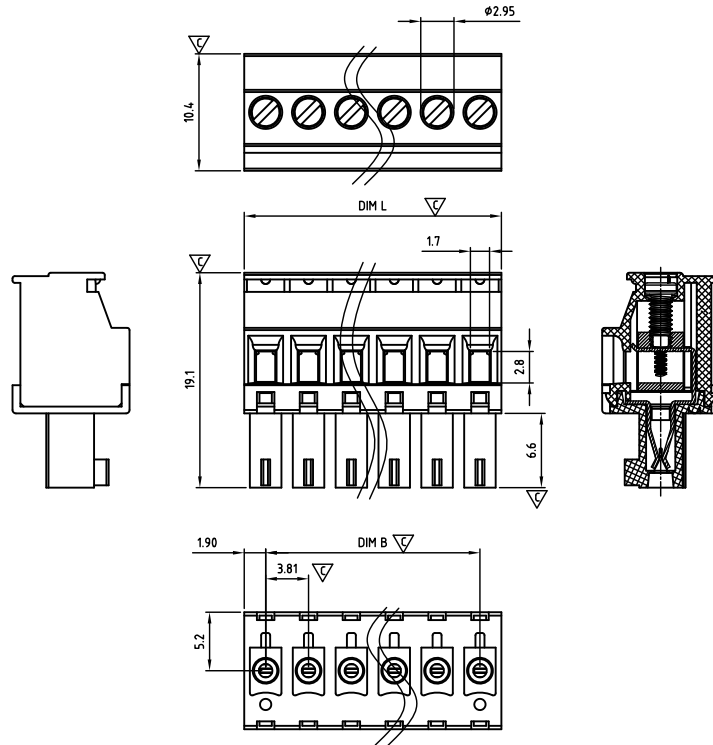
CAHECV381 Series





CAMBSR381-SERIES

cULus E501953



Critical dimension: ∇

Dim.L=Px3.81		
Dim.B=(P-1)x3.81		
P=Number of poles (02-24)		
	Dim B	Dim L
0-30mm	+/- 0,15	+/- 0,20
over 30-60mm	+/- 0,20	+/- 0,25
over 60-90mm	+/- 0,25	+/- 0,30
over 90mm	+/- 0,30	+/- 0,40

Tolerance	
x.	+/- 0,50
x.x	+/- 0,30
x.xx	+/- 0,10
x°	+/- 1°
\varnothing	Units:mm

Technical data

Technical data in accordance with UL/CUL

	Use Group	B	C	D
Nominal voltage (V)		300	-	300
Nominal current (A)		8	-	8
Connection capacity(AWG)		30-16	-	30-16

Technical data in accordance with IEC

Rated insulation voltage at pollution degree 2 (V)	160		
Rated current/conductor cross-section (A/mm ²)	8 / 1.5		
Solid/stranded(mm ²)	0.14-1.5 / 0.14-1.5		
Surge voltage category/pollution degree	III / 3	III / 2	II / 2
Rated insulation voltage(V)	160	160	320
Rated surge voltage(kV)	2.5	2.5	2.5

General data

Stripping length(mm)	6-7
Screw thread	M2
Tightening torque(Nm)	0.20-0.25
Insulation Withstanding Voltage	AC1600V / 1min
Insulation Resistance	1000M Ω or more at DC500V
Using temperature range	-40°C-115°C

Materials

Insulation material group	PA 66 I UL94 -V0
Wire guard	PhBz, Tin plated
Cage	Brass, Ni plated
Screw	Steel, Zn plated

Packing information

Poles	Order Number	SPQ
2	CAMBSR38102x000	520
3	CAMBSR38103x000	350
4	CAMBSR38104x000	250
5	CAMBSR38105x000	215
6	CAMBSR38106x000	200
7	CAMBSR38107x000	165
8	CAMBSR38108x000	140
9	CAMBSR38109x000	120
10	CAMBSR38110x000	120
11	CAMBSR38111x000	95
12	CAMBSR38112x000	95
13	CAMBSR38113x000	70
14	CAMBSR38114x000	70
15	CAMBSR38115x000	70
16	CAMBSR38116x000	70
17	CAMBSR38117x000	45
18	CAMBSR38118x000	45
19	CAMBSR38119x000	45
20	CAMBSR38120x000	45
21	CAMBSR38121x000	45
22	CAMBSR38122x000	45
23	CAMBSR38123x000	45
24	CAMBSR38124x000	45

Ordering code

CAMB SR 381 xx x xxx
① ② ③ ④ ⑤ ⑥

- ① Type
- ② Product style
- ③ Pitch
- ④ Poles (02-24)
- ⑤ Color
- ⑥ Standard 000 or Custom XXX

Color

0 Black	5 Green
1 Brown	6 Blue
2 Red	G Pale grey
3 Orange	8 Dark grey
4 Yellow	9 White

Key Commercial data

Custom tariff number	8536901000
Country of origin	CN (China)

Mating with headers

CAHABH381 Series



CAHABV381 Series



CAHAEH381 Series



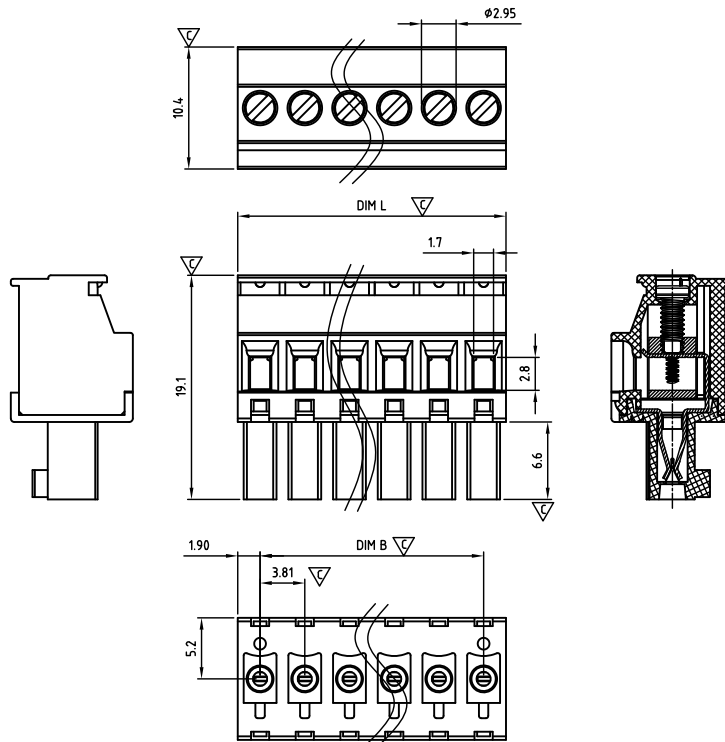
CAHAEV381 Series





CAMBSW381-SERIES

cULus E501953



Critical dimension: ∇

Dim.L=Px3.81		
Dim.B=(P-1)x3.81		
P=Number of poles (02-24)		
	Dim B	Dim L
0-30mm	+/- 0,15	+/- 0,20
over 30-60mm	+/- 0,20	+/- 0,25
over 60-90mm	+/- 0,25	+/- 0,30
over 90mm	+/- 0,30	+/- 0,40

Tolerance	
x.	+/- 0,50
x.x	+/- 0,30
x.xx	+/- 0,10
x°	+/- 1°
	Units:mm

Technical data

Technical data in accordance with UL/CUL

	Use Group	B	C	D
Nominal voltage (V)		300	-	300
Nominal current (A)		8	-	8
Connection capacity(AWG)		30-16	-	30-16

Technical data in accordance with IEC

Rated insulation voltage at pollution degree 2 (V)		160		
Rated current/conductor cross-section (A/mm ²)		8 / 1.5		
Solid/stranded(mm ²)		0.14-1.5 / 0.14-1.5		
Surge voltage category/pollution degree	III / 3	III / 2	II / 2	
Rated insulation voltage(V)	160	160	320	
Rated surge voltage(kV)	2.5	2.5	2.5	

General data

Stripping length(mm)		6-7
Screw thread		M2
Tightening torque(Nm)		0.20-0.25
Insulation Withstanding Voltage	AC1600V / 1min	
Insulation Resistance	1000M Ω or more at DC500V	
Using temperature range		-40°C-115°C

Materials

Insulation material group	PA 66 I UL94 -V0
Wire guard	PhBz, Tin plated
Cage	Brass, Ni plated
Screw	Steel, Zn plated

Packing information

Poles	Order Number	SPQ
2	CAMBSW38102x000	520
3	CAMBSW38103x000	350
4	CAMBSW38104x000	250
5	CAMBSW38105x000	215
6	CAMBSW38106x000	200
7	CAMBSW38107x000	165
8	CAMBSW38108x000	140
9	CAMBSW38109x000	120
10	CAMBSW38110x000	120
11	CAMBSW38111x000	95
12	CAMBSW38112x000	95
13	CAMBSW38113x000	70
14	CAMBSW38114x000	70
15	CAMBSW38115x000	70
16	CAMBSW38116x000	70
17	CAMBSW38117x000	45
18	CAMBSW38118x000	45
19	CAMBSW38119x000	45
20	CAMBSW38120x000	45
21	CAMBSW38121x000	45
22	CAMBSW38122x000	45
23	CAMBSW38123x000	45
24	CAMBSW38124x000	45

Ordering code

CAMB SW 381 xx x xxx

① ② ③ ④ ⑤ ⑥

- ① Type
- ② Product style
- ③ Pitch
- ④ Poles (02-24)
- ⑤ Color
- ⑥ Standard 000 or Custom XXX

Color

0 Black	5 Green
1 Brown	6 Blue
2 Red	G Pale grey
3 Orange	8 Dark grey
4 Yellow	9 White

Key Commercial data

Custom tariff number	8536901000
Country of origin	CN (China)

Mating with headers

CAHABH381 Series



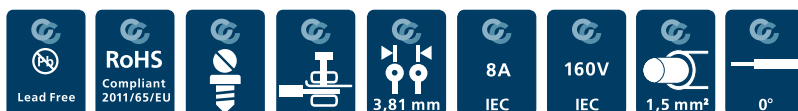
CAHABV381 Series



CAHAEH381 Series



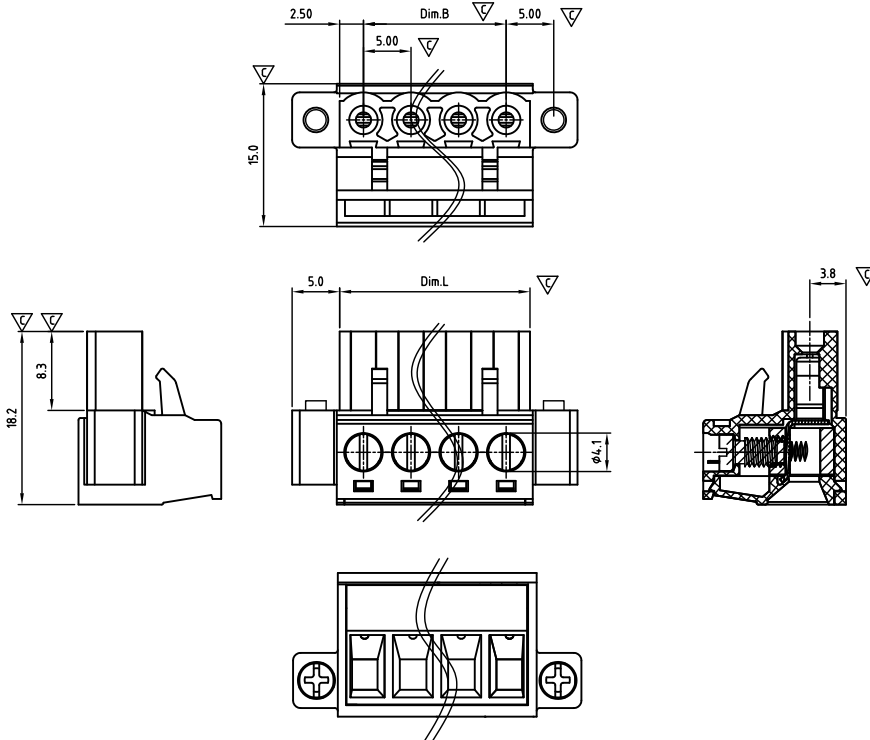
CAHAEV381 Series





CAMAFD500-SERIES

cULus E501953



Critical dimension: ∇

Dim.L=Px5.0

Dim.B=(P-1)x5.0

P=Number of poles (02-24)

	Dim B	Dim L
0-30mm	+/- 0,15	+/- 0,20
over 30-60mm	+/- 0,20	+/- 0,25
over 60-90mm	+/- 0,25	+/- 0,30
over 90mm	+/- 0,30	+/- 0,40

Tolerance	
x.	+/- 0,50
x.x	+/- 0,30
x.xx	+/- 0,10
x°	+/- 1°

Units:mm

Technical data

Technical data in accordance with UL/cUL

	Use Group	B	C	D
Nominal voltage (V)		300	-	300
Nominal current (A)		15	-	10
Connection capacity(AWG)		30-12	-	30-12

Technical data in accordance with IEC and VDE

Rated insulation voltage at pollution degree 2 (V)	320		
Rated current/conductor cross-section (A/mm ²)	12 / 2.5		
Solid/stranded(mm ²)	0.2-2.5 / 0.2-2.5		
Surge voltage category/pollution degree	III / 3	III / 2	II / 2
Rated insulation voltage(V)	250	320	630
Rated surge voltage(kV)	4	4	4

General data

Stripping length(mm)	7-8
Screw thread	M3
Tightening torque(Nm)	0.5-0.6
Insulation Withstanding Voltage	AC1600V / 1min
Insulation Resistance	1000M Ω or more at DC500V
Using temperature range	-40°C-115°C

Materials

Insulation material group	PA 66 I UL94 -V0
Wire guard	PhBz, Tin plated
Cage	Brass, Ni plated
Screw	Steel, Zn plated

Packing information

Poles	Order Number	SPQ
2	CAMAFD50002x000	250
3	CAMAFD50003x000	200
4	CAMAFD50004x000	150
5	CAMAFD50005x000	110
6	CAMAFD50006x000	95
7	CAMAFD50007x000	70
8	CAMAFD50008x000	70
9	CAMAFD50009x000	70
10	CAMAFD50010x000	65
11	CAMAFD50011x000	60
12	CAMAFD50012x000	50
13	CAMAFD50013x000	50
14	CAMAFD50014x000	45
15	CAMAFD50015x000	45
16	CAMAFD50016x000	45
17	CAMAFD50017x000	40
18	CAMAFD50018x000	35
19	CAMAFD50019x000	30
20	CAMAFD50020x000	30
21	CAMAFD50021x000	30
22	CAMAFD50022x000	30
23	CAMAFD50023x000	20
24	CAMAFD50024x000	20

Ordering code

CAMA FD 500 xx x xxx

① ② ③ ④ ⑤ ⑥

- ① Type
- ② Product style
- ③ Pitch
- ④ Poles (02-24)
- ⑤ Color
- ⑥ Standard 000 or Custom XXX

Color

0 Black	5 Green
1 Brown	6 Blue
2 Red	G Pale grey
3 Orange	8 Dark grey
4 Yellow	9 White

Key Commercial data

Custom tariff number	8536901000
Country of origin	CN (China)

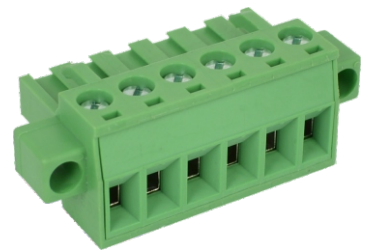
Mating with headers

CAHACH500 Series



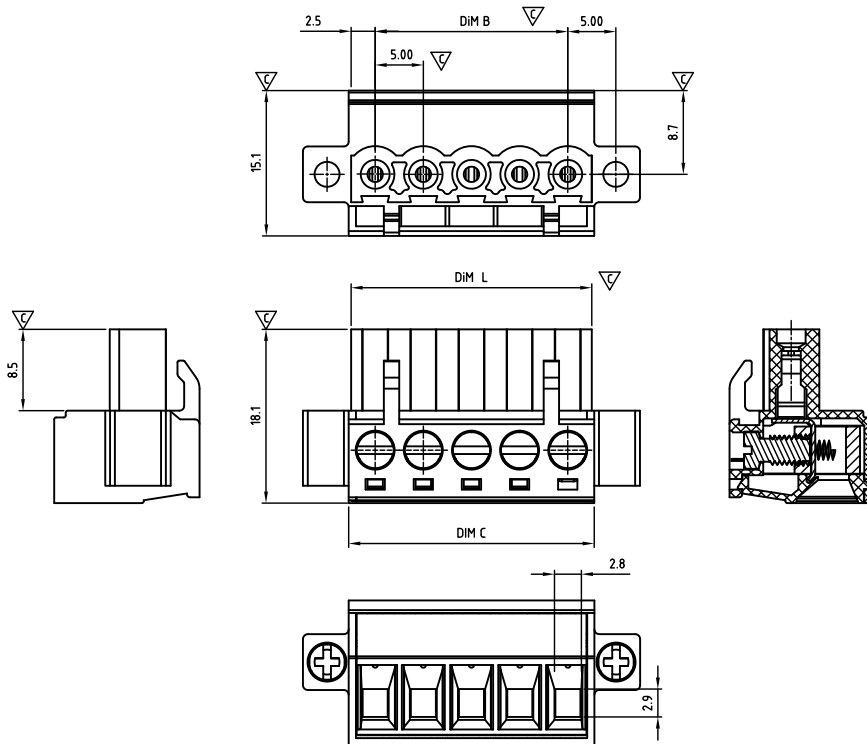
CAHACV500 Series





CAMAFT500-SERIES

cULus E501953



Critical dimension: ∇

Dim.L=Px5.0

Dim.B=(P-1)x5.0

P=Number of poles (02-24)

	Dim B	Dim L
0-30mm	+/- 0,15	+/- 0,20
over 30-60mm	+/- 0,20	+/- 0,25
over 60-90mm	+/- 0,25	+/- 0,30
over 90mm	+/- 0,30	+/- 0,40

Tolerance	
x.	+/- 0,50
x.x	+/- 0,30
x.xx	+/- 0,10
x°	+/- 1°

Units:mm

Pitch 5,00mm

Technical data

Technical data in accordance with UL/CUL

	Use Group	B	C	D
Nominal voltage (V)		300	-	300
Nominal current (A)		15	-	10
Connection capacity(AWG)		30-12	-	30-12

Technical data in accordance with IEC

Rated insulation voltage at pollution degree 2 (V)	320		
Rated current/conductor cross-section (A/mm ²)	12 / 2.5		
Solid/stranded(mm ²)	0.2-2.5 / 0.2-2.5		
Surge voltage category/pollution degree	III / 3	III / 2	II / 2
Rated insulation voltage(V)	250	320	630
Rated surge voltage(kV)	4	4	4

General data

Stripping length(mm)	7-8
Screw thread	M3
Tightening torque(Nm)	0.5-0.6
Insulation Withstanding Voltage	AC1600V / 1min
Insulation Resistance	1000M Ω or more at DC500V
Using temperature range	-40°C-115°C

Materials

Insulation material group	PA 66 I UL94 -V0
Wire guard	PhBz, Tin plated
Cage	Brass, Ni plated
Screw	Steel, Zn plated

Packing information

Poles	Order Number	SPQ
2	CAMAFT50002x000	250
3	CAMAFT50003x000	200
4	CAMAFT50004x000	150
5	CAMAFT50005x000	110
6	CAMAFT50006x000	95
7	CAMAFT50007x000	70
8	CAMAFT50008x000	70
9	CAMAFT50009x000	70
10	CAMAFT50010x000	65
11	CAMAFT50011x000	60
12	CAMAFT50012x000	50
13	CAMAFT50013x000	50
14	CAMAFT50014x000	45
15	CAMAFT50015x000	45
16	CAMAFT50016x000	45
17	CAMAFT50017x000	40
18	CAMAFT50018x000	35
19	CAMAFT50019x000	30
20	CAMAFT50020x000	30
21	CAMAFT50021x000	30
22	CAMAFT50022x000	30
23	CAMAFT50023x000	20
24	CAMAFT50024x000	20

Ordering code

CAMA FT 500 xx x xxx
① ② ③ ④ ⑤ ⑥

- ① Type
- ② Product style
- ③ Pitch
- ④ Poles (02-24)
- ⑤ Color
- ⑥ Standard 000 or Custom XXX

Color

0 Black	5 Green
1 Brown	6 Blue
2 Red	G Pale grey
3 Orange	8 Dark grey
4 Yellow	9 White

Key Commercial data

Custom tariff number	8536901000
Country of origin	CN (China)

Mating with headers

CAHACH500 Series



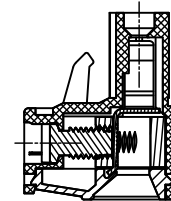
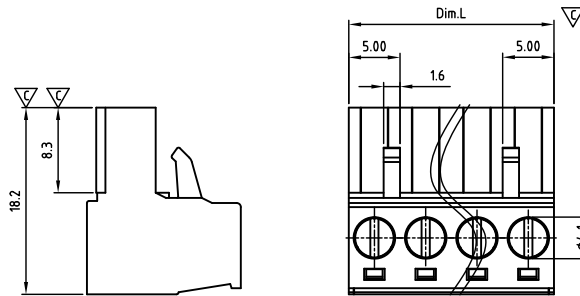
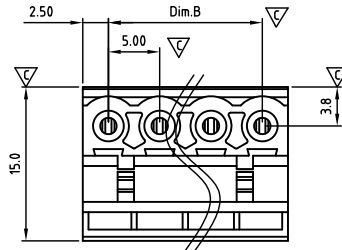
CAHACV500 Series





CAMASD500-SERIES

cULus E501953



Critical dimension: ∇

Dim.L=Px5.0

Dim.B=(P-1)x5.0

P=Number of poles (02-24)

	Dim B	Dim L
0-30mm	+/- 0,15	+/- 0,20
over 30-60mm	+/- 0,20	+/- 0,25
over 60-90mm	+/- 0,25	+/- 0,30
over 90mm	+/- 0,30	+/- 0,40

Tolerance	
x.	+/- 0,50
x.x	+/- 0,30
x.xx	+/- 0,10
x°	+/- 1°

Units:mm

Technical data

Technical data in accordance with UL/CUL

	Use Group	B	C	D
Nominal voltage (V)		300	-	300
Nominal current (A)		15	-	10
Connection capacity(AWG)		30-12	-	30-12

Technical data in accordance with IEC and VDE

Rated insulation voltage at pollution degree 2 (V)	320		
Rated current/conductor cross-section (A/mm ²)	12 / 2.5		
Solid/stranded(mm ²)	0.2-2.5 / 0.2-2.5		
Surge voltage category/pollution degree	III / 3	III / 2	II / 2
Rated insulation voltage(V)	250	320	630
Rated surge voltage(kV)	4	4	4

General data

Stripping length(mm)	7-8
Screw thread	M3
Tightening torque(Nm)	0.5-0.6
Insulation Withstanding Voltage	AC1600V / 1min
Insulation Resistance	1000MΩ or more at DC500V
Using temperature range	-40°C-115°C

Materials

Insulation material group	PA 66 I UL94 -V0
Wire guard	PhBz, Tin plated
Cage	Brass, Ni plated
Screw	Steel, Zn plated

Packing information

Poles	Order Number	SPQ
2	CAMASD50002x000	350
3	CAMASD50003x000	180
4	CAMASD50004x000	150
5	CAMASD50005x000	150
6	CAMASD50006x000	120
7	CAMASD50007x000	95
8	CAMASD50008x000	95
9	CAMASD50009x000	75
10	CAMASD50010x000	75
11	CAMASD50011x000	65
12	CAMASD50012x000	65
13	CAMASD50013x000	55
14	CAMASD50014x000	50
15	CAMASD50015x000	45
16	CAMASD50016x000	45
17	CAMASD50017x000	45
18	CAMASD50018x000	35
19	CAMASD50019x000	35
20	CAMASD50020x000	30
21	CAMASD50021x000	30
22	CAMASD50022x000	30
23	CAMASD50023x000	30
24	CAMASD50024x000	30

Ordering code

CAMA SD 500 xx x xxx

① ② ③ ④ ⑤ ⑥

- ① Type
- ② Product style
- ③ Pitch
- ④ Poles (02-24)
- ⑤ Color
- ⑥ Standard 000 or Custom XXX

Color

0 Black	5 Green
1 Brown	6 Blue
2 Red	G Pale grey
3 Orange	8 Dark grey
4 Yellow	9 White

Key Commercial data

Custom tariff number	8536901000
Country of origin	CN (China)

Mating with headers

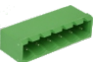
CAHAAH500 Series



CAHAAV500 Series



CAHABH500 Series



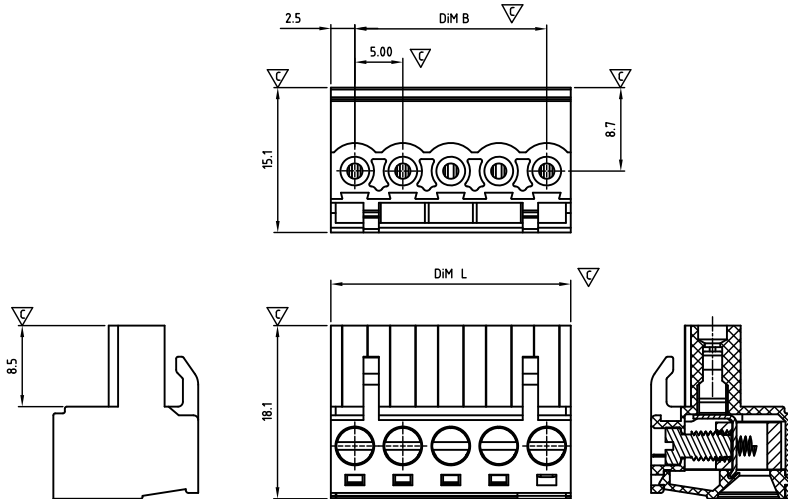
CAHABV500 Series





CAMAST500-SERIES

cULus E501953



Critical dimension: ∇

Dim.L=Px5.0		
Dim.B=(P-1)x5.0		
P=Number of poles (02-24)		
	Dim B	Dim L
0-30mm	+/- 0,15	+/- 0,20
over 30-60mm	+/- 0,20	+/- 0,25
over 60-90mm	+/- 0,25	+/- 0,30
over 90mm	+/- 0,30	+/- 0,40

Tolerance	
x.	+/- 0,50
x.x	+/- 0,30
x.xx	+/- 0,10
x°	+/- 1°
	Units:mm

Technical data

Technical data in accordance with UL/CUL

	Use Group	B	C	D
Nominal voltage (V)		300	-	300
Nominal current (A)		15	-	10
Connection capacity(AWG)		30-12	-	30-12

Technical data in accordance with IEC

Rated insulation voltage at pollution degree 2 (V)	320		
Rated current/conductor cross-section (A/mm ²)	12 / 2.5		
Solid/stranded(mm ²)	0.2-2.5 / 0.2-2.5		
Surge voltage category/pollution degree	III / 3	III / 2	II / 2
Rated insulation voltage(V)	250	320	630
Rated surge voltage(kV)	4	4	4

General data

Stripping length(mm)	7-8
Screw thread	M3
Tightening torque(Nm)	0.5-0.6
Insulation Withstanding Voltage	AC1600V / 1min
Insulation Resistance	1000M Ω or more at DC500V
Using temperature range	-40°C-115°C

Materials

Insulation material group	PA 66 I UL94 -V0
Wire guard	PhBz, Tin plated
Cage	Brass, Ni plated
Screw	Steel, Zn plated

Packing information

Poles	Order Number	SPQ
2	CAMAST50002x000	350
3	CAMAST50003x000	180
4	CAMAST50004x000	150
5	CAMAST50005x000	150
6	CAMAST50006x000	120
7	CAMAST50007x000	95
8	CAMAST50008x000	95
9	CAMAST50009x000	75
10	CAMAST50010x000	75
11	CAMAST50011x000	65
12	CAMAST50012x000	65
13	CAMAST50013x000	55
14	CAMAST50014x000	50
15	CAMAST50015x000	45
16	CAMAST50016x000	45
17	CAMAST50017x000	45
18	CAMAST50018x000	35
19	CAMAST50019x000	35
20	CAMAST50020x000	30
21	CAMAST50021x000	30
22	CAMAST50022x000	30
23	CAMAST50023x000	30
24	CAMAST50024x000	30

Ordering code

CAMA ST 500 xx x xxx
① ② ③ ④ ⑤ ⑥

- ① Type
- ② Product style
- ③ Pitch
- ④ Poles (02-24)
- ⑤ Color
- ⑥ Standard 000 or Custom XXX

Color

0 Black	5 Green
1 Brown	6 Blue
2 Red	G Pale grey
3 Orange	8 Dark grey
4 Yellow	9 White

Key Commercial data

Custom tariff number	8536901000
Country of origin	CN (China)

Mating with headers

CAHAAH500 Series



CAHAAV500 Series



CAHABH500 Series



CAHABV500 Series



CAHDAL500 Series



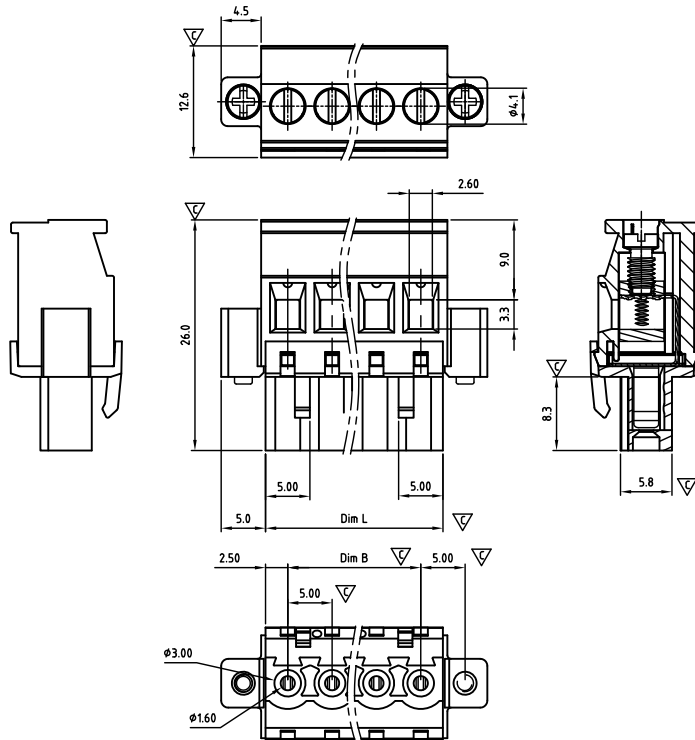
CAHDAR500 Series





CAMBFR500-SERIES

cULus E501953



Critical dimension: ∇

Dim.L=Px5.0		
Dim.B=(P-1)x5.0		
P=Number of poles (02-24)		
	Dim B	Dim L
0-30mm	+/- 0,15	+/- 0,20
over 30-60mm	+/- 0,20	+/- 0,25
over 60-90mm	+/- 0,25	+/- 0,30
over 90mm	+/- 0,30	+/- 0,40

Tolerance	
x.	+/- 0,50
x.x	+/- 0,30
x.xx	+/- 0,10
x°	+/- 1°
	Units:mm

Technical data

Technical data in accordance with UL/CUL

	Use Group	B	C	D
Nominal voltage (V)		300	-	300
Nominal current (A)		15	-	10
Connection capacity(AWG)		30-12	-	30-12

Technical data in accordance with IEC and VDE

Rated insulation voltage at pollution degree 2 (V)	320		
Rated current/conductor cross-section (A/mm ²)	12 / 2.5		
Solid/stranded(mm ²)	0.2-2.5 / 0.2-2.5		
Surge voltage category/pollution degree	III / 3	III / 2	II / 2
Rated insulation voltage(V)	250	320	630
Rated surge voltage(kV)	4	4	4

General data

Stripping length(mm)	6-7
Screw thread	M3
Tightening torque(Nm)	0.5-0.6
Insulation Withstanding Voltage	AC1600V / 1min
Insulation Resistance	1000M Ω or more at DC500V
Using temperature range	-40°C-115°C

Materials

Insulation material group	PA 66 I UL94 -V0
Wire guard	PhBz, Tin plated
Cage	Brass, Ni plated
Screw	Steel, Zn plated

Packing information

Poles	Order Number	SPQ
2	CAMBFR50002x000	250
3	CAMBFR50003x000	140
4	CAMBFR50004x000	120
5	CAMBFR50005x000	80
6	CAMBFR50006x000	80
7	CAMBFR50007x000	70
8	CAMBFR50008x000	55
9	CAMBFR50009x000	55
10	CAMBFR50010x000	55
11	CAMBFR50011x000	50
12	CAMBFR50012x000	40
13	CAMBFR50013x000	35
14	CAMBFR50014x000	35
15	CAMBFR50015x000	35
16	CAMBFR50016x000	35
17	CAMBFR50017x000	35
18	CAMBFR50018x000	30
19	CAMBFR50019x000	28
20	CAMBFR50020x000	28
21	CAMBFR50021x000	28
22	CAMBFR50022x000	28
23	CAMBFR50023x000	16
24	CAMBFR50024x000	16

Ordering code

CAMB FR 500 xx x xxx
 ① ② ③ ④ ⑤ ⑥

- ① Type
- ② Product style
- ③ Pitch
- ④ Poles (02-24)
- ⑤ Color
- ⑥ Standard 000 or Custom XXX

Color

0 Black	5 Green
1 Brown	6 Blue
2 Red	G Pale grey
3 Orange	8 Dark grey
4 Yellow	9 White

Key Commercial data

Custom tariff number	8536901000
Country of origin	CN (China)

Mating with headers

CAHACH500 Series



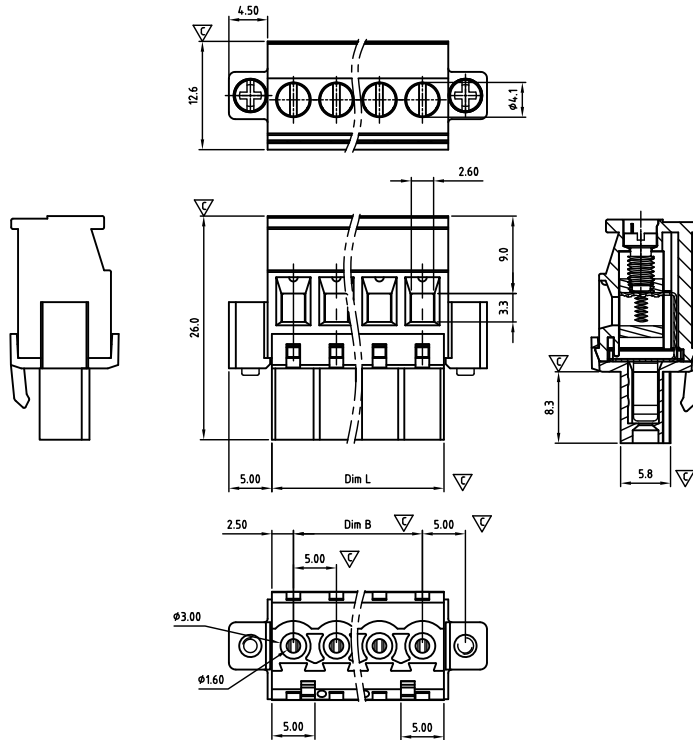
CAHACV500 Series





CAMBFW500-SERIES

cULus E501953



Critical dimension: ▽

Dim.L=Px5.0

Dim.B=(P-1)x5.0

P=Number of poles (02-24)

	Dim B	Dim L
0-30mm	+/- 0,15	+/- 0,20
over 30-60mm	+/- 0,20	+/- 0,25
over 60-90mm	+/- 0,25	+/- 0,30
over 90mm	+/- 0,30	+/- 0,40

Tolerance	
x.	+/- 0,50
x.x	+/- 0,30
x.xx	+/- 0,10
x°	+/-1°

Units:mm

Technical data

Technical data in accordance with UL/CUL

	Use Group	B	C	D
Nominal voltage (V)		300	-	300
Nominal current (A)		15	-	10
Connection capacity (AWG)		30-12	-	30-12

Technical data in accordance with IEC and VDE

Rated insulation voltage at pollution degree 2 (V)	320		
Rated current/conductor cross-section (A/mm ²)	12 / 2.5		
Solid/stranded(mm ²)	0.2-2.5 / 0.2-2.5		
Surge voltage category/pollution degree	III / 3	III / 2	II / 2
Rated insulation voltage(V)	250	320	630
Rated surge voltage(kV)	4	4	4

General data

Stripping length(mm)	6-7
Screw thread	M3
Tightening torque(Nm)	0.5-0.6
Insulation Withstanding Voltage	AC1600V / 1min
Insulation Resistance	1000MΩ or more at DC500V
Using temperature range	-40°C-115°C

Materials

Insulation material group	PA 66 I UL94 -V0
Wire guard	PhBz, Tin plated
Cage	Brass, Ni plated
Screw	Steel, Zn plated

Packing information

Poles	Order Number	SPQ
2	CAMBFW50002x000	250
3	CAMBFW50003x000	140
4	CAMBFW50004x000	120
5	CAMBFW50005x000	80
6	CAMBFW50006x000	80
7	CAMBFW50007x000	70
8	CAMBFW50008x000	55
9	CAMBFW50009x000	55
10	CAMBFW50010x000	55
11	CAMBFW50011x000	50
12	CAMBFW50012x000	40
13	CAMBFW50013x000	35
14	CAMBFW50014x000	35
15	CAMBFW50015x000	35
16	CAMBFW50016x000	35
17	CAMBFW50017x000	35
18	CAMBFW50018x000	30
19	CAMBFW50019x000	28
20	CAMBFW50020x000	28
21	CAMBFW50021x000	28
22	CAMBFW50022x000	28
23	CAMBFW50023x000	16
24	CAMBFW50024x000	16

Ordering code

CAMB FW 500 xx x xxx

① ② ③ ④ ⑤ ⑥

- ① Type
- ② Product style
- ③ Pitch
- ④ Poles (02-24)
- ⑤ Color
- ⑥ Standard 000 or Custom XXX

Color

0 Black	5 Green
1 Brown	6 Blue
2 Red	G Pale grey
3 Orange	8 Dark grey
4 Yellow	9 White

Key Commercial data

Custom tariff number	8536901000
Country of origin	CN (China)

Mating with headers

CAHACH500 Series



CAHACV500 Series

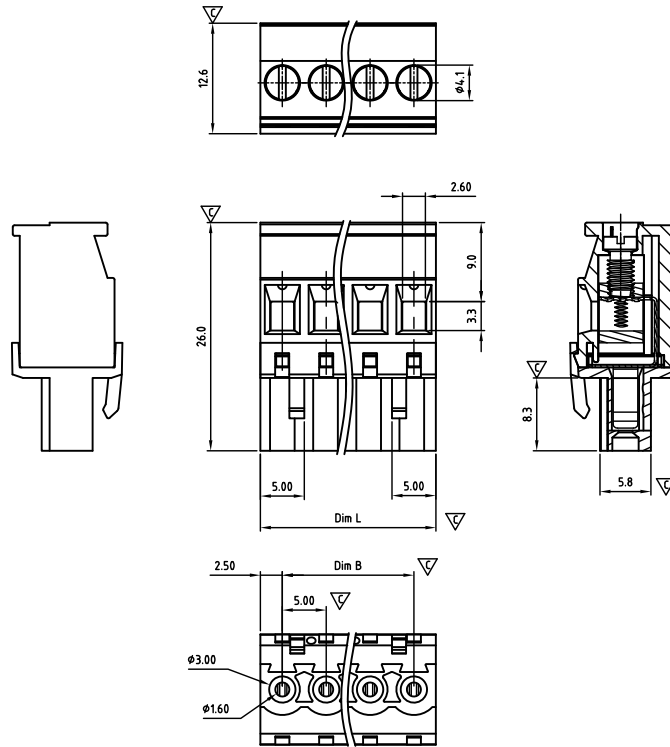




PLUGGABLE TERMINAL BLOCKS

CAMBSR500-SERIES

cULus E501953



Critical dimension: ∇

Dim.L=Px5.0

Dim.B=(P-1)x5.0

P=Number of poles (02-24)

	Dim B	Dim L
0-30mm	+/- 0,15	+/- 0,20
over 30-60mm	+/- 0,20	+/- 0,25
over 60-90mm	+/- 0,25	+/- 0,30
over 90mm	+/- 0,30	+/- 0,40

Tolerance	
x.	+/- 0,50
x.x	+/- 0,30
x.xx	+/- 0,10
x°	+/- 1°

Units:mm

Technical data

Technical data in accordance with UL/cUL

	Use Group	B	C	D
Nominal voltage (V)		300	-	300
Nominal current (A)		15	-	10
Connection capacity(AWG)		30-12	-	30-12

Technical data in accordance with IEC and VDE

Rated insulation voltage at pollution degree 2 (V)	320		
Rated current/conductor cross-section (A/mm ²)	12 / 2.5		
Solid/stranded(mm ²)	0.2-2.5 / 0.2-2.5		
Surge voltage category/pollution degree	III / 3	III / 2	II / 2
Rated insulation voltage(V)	250	320	630
Rated surge voltage(kV)	4	4	4

General data

Stripping length(mm)	6-7
Screw thread	M3
Tightening torque(Nm)	0.5-0.6
Insulation Withstanding Voltage	AC1600V / 1min
Insulation Resistance	1000M Ω or more at DC500V
Using temperature range	-40°C-115°C

Materials

Insulation material group	PA 66 I UL94 -V0
Wire guard	PhBz, Tin plated
Cage	Brass, Ni plated
Screw	Steel, Zn plated

Packing information

Poles	Order Number	SPQ
2	CAMBSR50002x000	250
3	CAMBSR50003x000	165
4	CAMBSR50004x000	130
5	CAMBSR50005x000	110
6	CAMBSR50006x000	90
7	CAMBSR50007x000	84
8	CAMBSR50008x000	80
9	CAMBSR50009x000	70
10	CAMBSR50010x000	55
11	CAMBSR50011x000	55
12	CAMBSR50012x000	55
13	CAMBSR50013x000	50
14	CAMBSR50014x000	45
15	CAMBSR50015x000	35
16	CAMBSR50016x000	35
17	CAMBSR50017x000	35
18	CAMBSR50018x000	35
19	CAMBSR50019x000	35
20	CAMBSR50020x000	35
21	CAMBSR50021x000	25
22	CAMBSR50022x000	25
23	CAMBSR50023x000	25
24	CAMBSR50024x000	25

Ordering code

CAMB SR 500 xx x xxx
① ② ③ ④ ⑤ ⑥

- ① Type
- ② Product style
- ③ Pitch
- ④ Poles (02-24)
- ⑤ Color
- ⑥ Standard 000 or Custom XXX

Color

0 Black	5 Green
1 Brown	6 Blue
2 Red	G Pale grey
3 Orange	8 Dark grey
4 Yellow	9 White

Key Commercial data

Custom tariff number	8536901000
Country of origin	CN (China)

Mating with headers

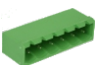
CAHAAH500 Series



CAHAAV500 Series



CAHABH500 Series



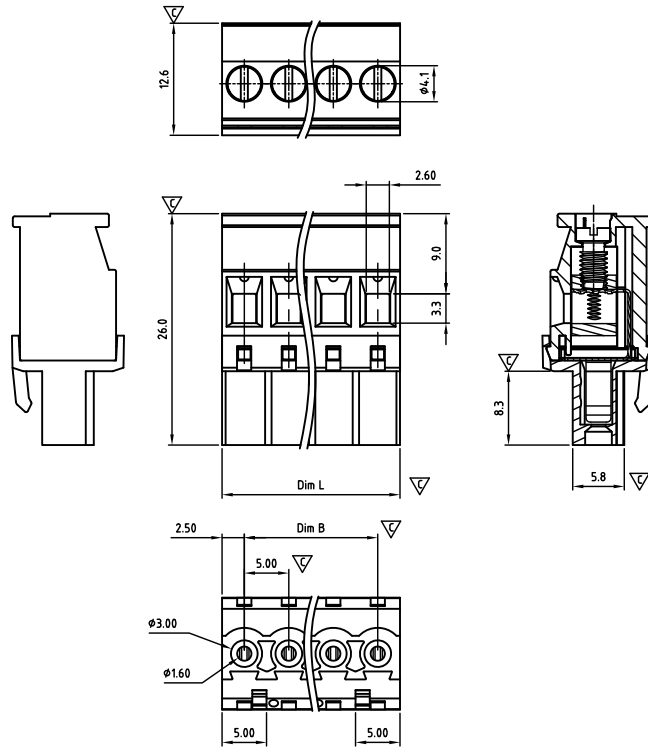
CAHABV500 Series





CAMBSW500-SERIES

cULus E501953



Critical dimension: ▽

Dim.L=Px5.0

Dim.B=(P-1)x5.0

P=Number of poles (02-24)

	Dim B	Dim L
0-30mm	+/- 0,15	+/- 0,20
over 30-60mm	+/- 0,20	+/- 0,25
over 60-90mm	+/- 0,25	+/- 0,30
over 90mm	+/- 0,30	+/- 0,40

Tolerance	
x.	+/- 0,50
x.x	+/- 0,30
x.xx	+/- 0,10
x°	+/- 1°

Units:mm

Technical data

Technical data in accordance with UL/CUL

	Use Group	B	C	D
Nominal voltage (V)		300	-	300
Nominal current (A)		15	-	10
Connection capacity(AWG)		30-12	-	30-12

Technical data in accordance with IEC and VDE

Rated insulation voltage at pollution degree 2 (V)	320		
Rated current/conductor cross-section (A/mm ²)	12 / 2.5		
Solid/stranded(mm ²)	0.2-2.5 / 0.2-2.5		
Surge voltage category/pollution degree	III / 3	III / 2	II / 2
Rated insulation voltage(V)	250	320	630
Rated surge voltage(kV)	4	4	4

General data

Stripping length(mm)	6-7
Screw thread	M3
Tightening torque(Nm)	0.5-0.6
Insulation Withstanding Voltage	AC1600V / 1min
Insulation Resistance	1000MΩ or more at DC500V
Using temperature range	-40°C-115°C

Materials

Insulation material group	PA 66 I UL94 -V0
Wire guard	PhBz, Tin plated
Cage	Brass, Ni plated
Screw	Steel, Zn plated

Packing information

Poles	Order Number	SPQ
2	CAMBSW50002x000	250
3	CAMBSW50003x000	165
4	CAMBSW50004x000	130
5	CAMBSW50005x000	110
6	CAMBSW50006x000	90
7	CAMBSW50007x000	84
8	CAMBSW50008x000	80
9	CAMBSW50009x000	70
10	CAMBSW50010x000	55
11	CAMBSW50011x000	55
12	CAMBSW50012x000	55
13	CAMBSW50013x000	50
14	CAMBSW50014x000	45
15	CAMBSW50015x000	35
16	CAMBSW50016x000	35
17	CAMBSW50017x000	35
18	CAMBSW50018x000	35
19	CAMBSW50019x000	35
20	CAMBSW50020x000	35
21	CAMBSW50021x000	25
22	CAMBSW50022x000	25
23	CAMBSW50023x000	25
24	CAMBSW50024x000	25

Ordering code

CAMB SW 500 xx x xxx

① ② ③ ④ ⑤ ⑥

- ① Type
- ② Product style
- ③ Pitch
- ④ Poles (02-24)
- ⑤ Color
- ⑥ Standard 000 or Custom XXX

Color

0 Black	5 Green
1 Brown	6 Blue
2 Red	G Pale grey
3 Orange	8 Dark grey
4 Yellow	9 White

Key Commercial data

Custom tariff number	8536901000
Country of origin	CN (China)

Mating with headers

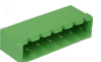
CAHAAH500 Series



CAHAAV500 Series



CAHABH500 Series



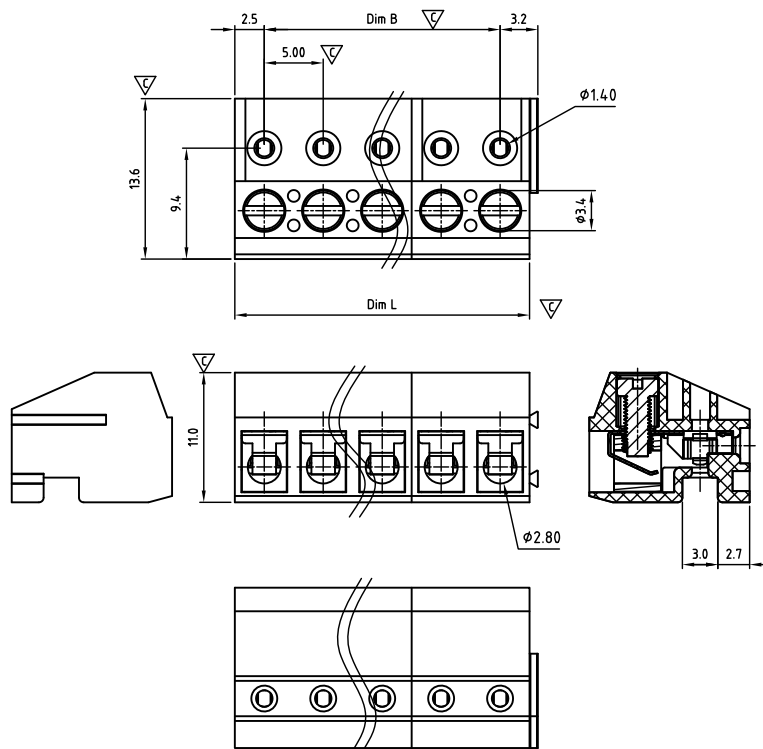
CAHABV500 Series





CANAMO500-SERIES

cULus E501953



Critical dimension: ∇

Dim.L=Px5.0

Dim.B=(P-1)x5.0

P=Number of poles (02-24)

	Dim B	Dim L
0-30mm	+/- 0,15	+/- 0,20
over 30-60mm	+/- 0,20	+/- 0,25
over 60-90mm	+/- 0,25	+/- 0,30
over 90mm	+/- 0,30	+/- 0,40

Tolerance	
x.	+/- 0,50
x.x	+/- 0,30
x.xx	+/- 0,10
x°	+/- 1°

Units:mm

Technical data

Technical data in accordance with UL/CUL

	Use Group	B	C	D
Nominal voltage (V)		300	-	300
Nominal current (A)		14	-	10
Connection capacity(AWG)		22-14	-	22-14

Technical data in accordance with IEC

Rated insulation voltage at pollution degree 2 (V)	320		
Rated current/conductor cross-section (A/mm ²)	12 / 1.5		
Solid/stranded(mm ²)	0.34-1.5 / 0.34-1.5		
Surge voltage category/pollution degree	III / 3	III / 2	II / 2
Rated insulation voltage(V)	250	320	630
Rated surge voltage(kV)	2.5	2.5	2.5

General data

Stripping length(mm)	5-6
Screw thread	M2.6
Tightening torque(Nm)	0.4-0.45
Insulation Withstanding Voltage	Ac1600 / 1min
Insulation Resistance	1000M Ω or more at DC500V
Using temperature range	-40°C-115°C

Materials

Insulation material group	PA 66 I UL94 -V0
Wire guard	PhBz
Cage	Brass, Sn plated
Screw	Steel, Zn plated

Packing information

Poles	Order Number	SPQ
2	CANAMO50002x000	600
3	CANAMO50003x000	400
4	CANAMO50004x000	300
5	CANAMO50005x000	250
6	CANAMO50006x000	200
7	CANAMO50007x000	170
8	CANAMO50008x000	150
9	CANAMO50009x000	140
10	CANAMO50010x000	120
11	CANAMO50011x000	110
12	CANAMO50012x000	100
13	CANAMO50013x000	105
14	CANAMO50014x000	80
15	CANAMO50015x000	80
16	CANAMO50016x000	70
17	CANAMO50017x000	70
18	CANAMO50018x000	70
19	CANAMO50019x000	70
20	CANAMO50020x000	70
21	CANAMO50021x000	60
22	CANAMO50022x000	55
23	CANAMO50023x000	55
24	CANAMO50024x000	55

Ordering code

CANA MO 500 xx x xxx

① ② ③ ④ ⑤ ⑥

- ① Type
- ② Product style
- ③ Pitch
- ④ Poles (02-24)
- ⑤ Color
- ⑥ Standard 000 or Custom XXX

Color

0 Black	5 Green
1 Brown	6 Blue
2 Red	G Pale grey
3 Orange	8 Dark grey
4 Yellow	9 White

Key Commercial data

Custom tariff number	8536901000
Country of origin	CN (China)

Mating with headers

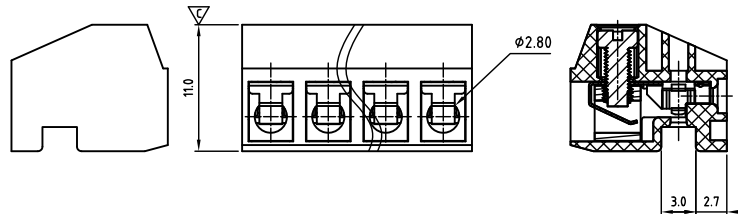
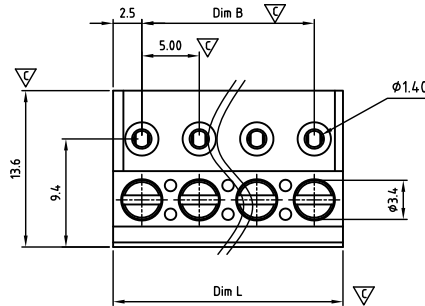
CAGAVA500 Series





CANASO500-SERIES

cULus E501953



Critical dimension: ∇

Dim.L=Px5.0		
Dim.B=(P-1)x5.0		
P=Number of poles (02-24)		
	Dim B	Dim L
0-30mm	+/- 0,15	+/- 0,20
over 30-60mm	+/- 0,20	+/- 0,25
over 60-90mm	+/- 0,25	+/- 0,30
over 90mm	+/- 0,30	+/- 0,40

Tolerance	
x.	+/- 0,50
x.x	+/- 0,30
x.xx	+/- 0,10
x°	+/- 1°
\varnothing	Units:mm

Technical data

Technical data in accordance with UL/CUL

	Use Group	B	C	D
Nominal voltage (V)		300	-	300
Nominal current (A)		14	-	10
Connection capacity(AWG)		22-14	-	22-14

Technical data in accordance with IEC

Rated insulation voltage at pollution degree 2 (V)	320		
Rated current/conductor cross-section (A/mm ²)	12 / 1.5		
Solid/stranded(mm ²)	0.34-1.5 / 0.34-1.5		
Surge voltage category/pollution degree	III / 3	III / 2	II / 2
Rated insulation voltage(V)	250	320	630
Rated surge voltage(kV)	2.5	2.5	2.5

General data

Stripping length(mm)	5-6
Screw thread	M2.6
Tightening torque(Nm)	0.4-0.45
Insulation Withstanding Voltage	AC 1600 / 1min
Insulation Resistance	1000M Ω or more at DC500V
Using temperature range	-40°C-115°C

Materials

Insulation material group	PA 66 I UL94 -V0
Wire guard	PhBz
Cage	Brass, Sn plated
Screw	Steel, Zn plated

Packing information

Poles	Order Number	SPQ
2	CANASO50002x000	600
3	CANASO50003x000	400
4	CANASO50004x000	300
5	CANASO50005x000	250
6	CANASO50006x000	200
7	CANASO50007x000	170
8	CANASO50008x000	150
9	CANASO50009x000	140
10	CANASO50010x000	120
11	CANASO50011x000	110
12	CANASO50012x000	100
13	CANASO50013x000	105
14	CANASO50014x000	80
15	CANASO50015x000	80
16	CANASO50016x000	70
17	CANASO50017x000	70
18	CANASO50018x000	70
19	CANASO50019x000	70
20	CANASO50020x000	70
21	CANASO50021x000	60
22	CANASO50022x000	55
23	CANASO50023x000	55
24	CANASO50024x000	55

Ordering code

CANA SO 500 xx x xxx
① ② ③ ④ ⑤ ⑥

- ① Type
- ② Product style
- ③ Pitch
- ④ Poles (02-24)
- ⑤ Color
- ⑥ Standard 000 or Custom XXX

Color

0 Black	5 Green
1 Brown	6 Blue
2 Red	G Pale grey
3 Orange	8 Dark grey
4 Yellow	9 White

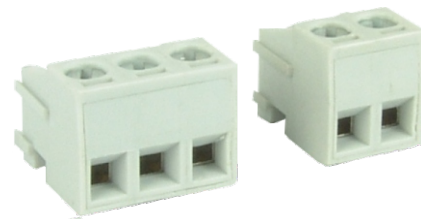
Key Commercial data

Custom tariff number	8536901000
Country of origin	CN (China)

Mating with headers

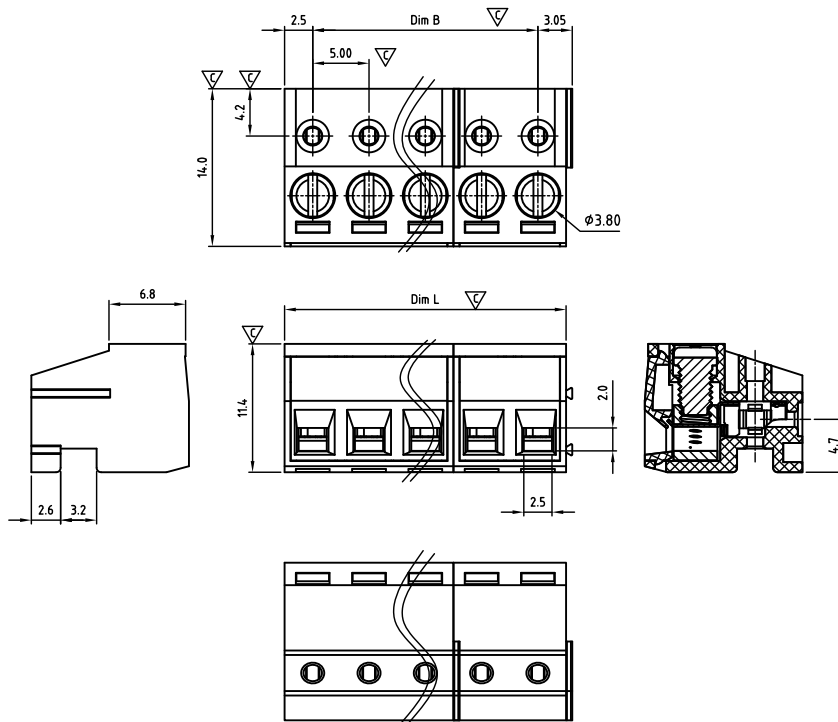
CAGAVA500 Series





CANBMO500-SERIES

cULus E501953



Critical dimension: ∇

Dim.L=Px5.0

Dim.B=(P-1)x5.0

P=Number of poles (02-24)

	Dim B	Dim L
0-30mm	+/- 0,15	+/- 0,20
over 30-60mm	+/- 0,20	+/- 0,25
over 60-90mm	+/- 0,25	+/- 0,30
over 90mm	+/- 0,30	+/- 0,40

Tolerance	
x.	+/- 0,50
x.x	+/- 0,30
x.xx	+/- 0,10
x°	+/- 1°

Units:mm

Pitch 5,00mm

Technical data

Technical data in accordance with UL/CUL

	Use Group	B	C	D
Nominal voltage (V)		300	-	300
Nominal current (A)		10	-	10
Connection capacity(AWG)		22-16	-	22-16

Technical data in accordance with IEC

Rated insulation voltage at pollution degree 2 (V)	320		
Rated current/conductor cross-section (A/mm ²)	10/1.5		
Solid/stranded(mm ²)	0.34-1.5 / 0.34-1.5		
Surge voltage category/pollution degree	III / 3	III / 2	II / 2
Rated insulation voltage(V)	250	320	630
Rated surge voltage(kV)	2.5	2.5	2.5

General data

Stripping length(mm)	5-6
Screw thread	M3
Tightening torque(Nm)	0.4-0.45
Insulation Withstanding Voltage	AC 1600 / 1min
Insulation Resistance	1000MΩ or more at DC500V
Using temperature range	-40°C-115°C

Materials

Insulation material group	PA 66 I UL94 -V0
Wire guard	PhBz, Tin plated
Cage	Brass, Ni plated
Screw	Steel, Zn plated

Packing information

Poles	Order Number	SPQ
2	CANBMO50002x000	540
3	CANBMO50003x000	360
4	CANBMO50004x000	250
5	CANBMO50005x000	250
6	CANBMO50006x000	180
7	CANBMO50007x000	168
8	CANBMO50008x000	160
9	CANBMO50009x000	140
10	CANBMO50010x000	140
11	CANBMO50011x000	140
12	CANBMO50012x000	140
13	CANBMO50013x000	140
14	CANBMO50014x000	105
15	CANBMO50015x000	105
16	CANBMO50016x000	105
17	CANBMO50017x000	105
18	CANBMO50018x000	105
19	CANBMO50019x000	70
20	CANBMO50020x000	70
21	CANBMO50021x000	70
22	CANBMO50022x000	70
23	CANBMO50023x000	70
24	CANBMO50024x000	70

Ordering code

CANB MO 500 xx x xxx

① ② ③ ④ ⑤ ⑥

- ① Type
- ② Product style
- ③ Pitch
- ④ Poles (02-24)
- ⑤ Color
- ⑥ Standard 000 or Custom XXX

Color

0 Black	5 Green
1 Brown	6 Blue
2 Red	G Pale grey
3 Orange	8 Dark grey
4 Yellow	9 White

Key Commercial data

Custom tariff number	8536901000
Country of origin	CN (China)

Mating with headers

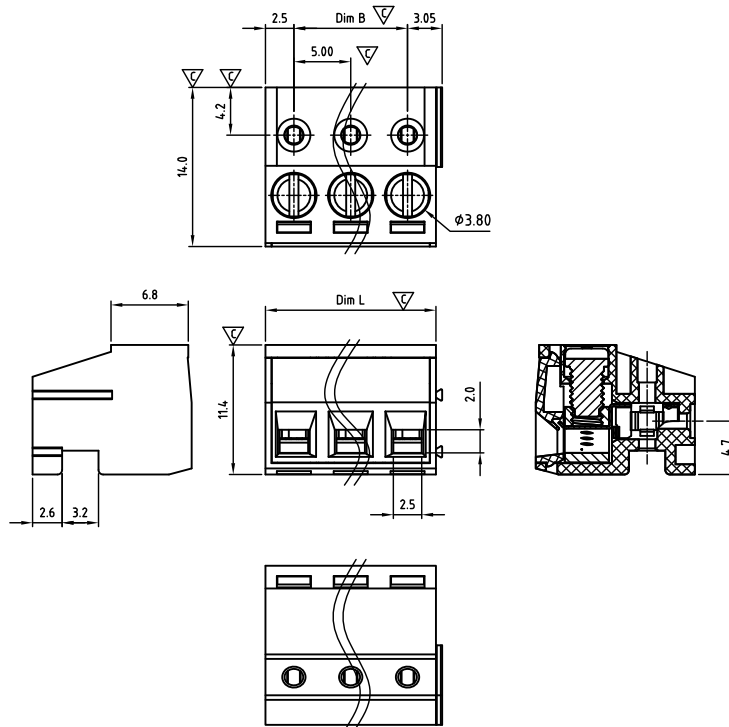
CAGAVA500 Series





CANBSO500-SERIES

cULus E501953



Critical dimension: ▽

Dim.L=Px5.0

Dim.B=(P-1)x5.0

P=Number of poles (02-24)

	Dim B	Dim L
0-30mm	+/- 0,15	+/- 0,20
over 30-60mm	+/- 0,20	+/- 0,25
over 60-90mm	+/- 0,25	+/- 0,30
over 90mm	+/- 0,30	+/- 0,40

Tolerance	
x.	+/- 0,50
x.x	+/- 0,30
x.xx	+/- 0,10
x°	+/- 1°

Units:mm

Technical data

Technical data in accordance with UL/CUL

	Use Group	B	C	D
Nominal voltage (V)		300	-	300
Nominal current (A)		10	-	10
Connection capacity(AWG)		22-16	-	22-16

Technical data in accordance with IEC

Rated insulation voltage at pollution degree 2 (V)	320		
Rated current/conductor cross-section (A/mm ²)	10/1.5		
Solid/stranded(mm ²)	0.34-1.5 / 0.34-1.5		
Surge voltage category/pollution degree	III / 3	III / 2	II / 2
Rated insulation voltage(V)	250	320	630
Rated surge voltage(kV)	2.5	2.5	2.5

General data

Stripping length(mm)	5-6
Screw thread	M3
Tightening torque(Nm)	0.4-0.45
Insulation Withstanding Voltage	AC 1600 / 1min
Insulation Resistance	1000MΩ or more at DC500V
Using temperature range	-40°C-115°C

Materials

Insulation material group	PA 66 I UL94 -V0
Wire guard	PhBz, Tin plated
Cage	Brass, Ni plated
Screw	Steel, Zn plated

Packing information

Poles	Order Number	SPQ
2	CANBSO50002x000	540
3	CANBSO50003x000	360
4	CANBSO50004x000	250
5	CANBSO50005x000	250
6	CANBSO50006x000	180
7	CANBSO50007x000	168
8	CANBSO50008x000	160
9	CANBSO50009x000	140
10	CANBSO50010x000	140
11	CANBSO50011x000	140
12	CANBSO50012x000	140
13	CANBSO50013x000	140
14	CANBSO50014x000	105
15	CANBSO50015x000	105
16	CANBSO50016x000	105
17	CANBSO50017x000	105
18	CANBSO50018x000	105
19	CANBSO50019x000	70
20	CANBSO50020x000	70
21	CANBSO50021x000	70
22	CANBSO50022x000	70
23	CANBSO50023x000	70
24	CANBSO50024x000	70

Ordering code

CANBSO 500 xx x xxx
① ② ③ ④ ⑤ ⑥

- ① Type
- ② Product style
- ③ Pitch
- ④ Poles (02-24)
- ⑤ Color
- ⑥ Standard 000 or Custom XXX

Color

0 Black	5 Green
1 Brown	6 Blue
2 Red	G Pale grey
3 Orange	8 Dark grey
4 Yellow	9 White

Key Commercial data

Custom tariff number	8536901000
Country of origin	CN (China)

Mating with headers

CAGAVA500 Series

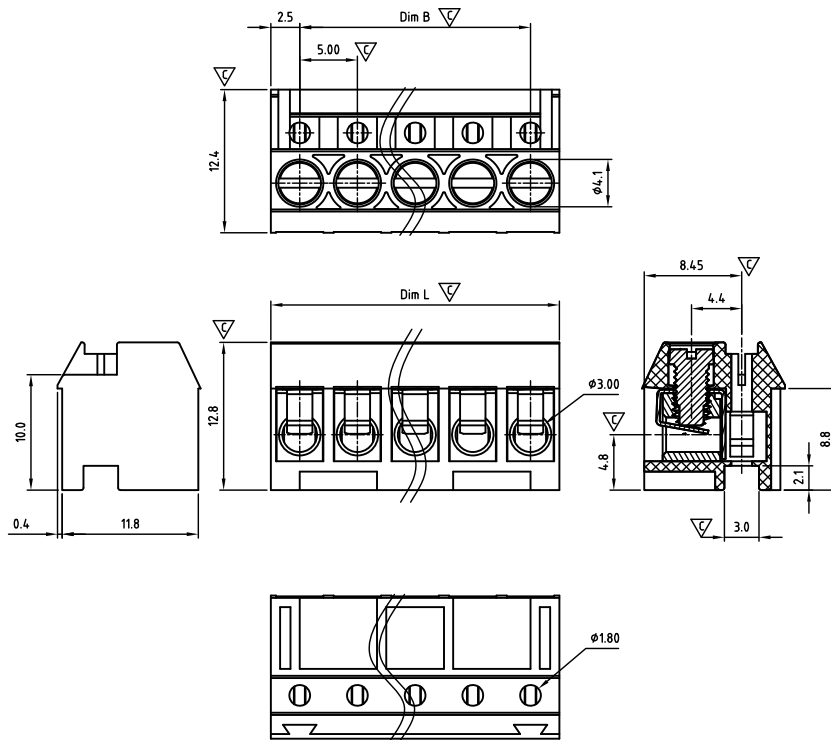




CANDSO500-SERIES

Pitch 5,00mm

cULus E501953



Critical dimension: ▽

Dim.L=Px5.0

Dim.B=(P-1)x5.0

P=Number of poles (02-18)

	Dim B	Dim L
0-30mm	+/- 0,15	+/- 0,20
over 30-60mm	+/- 0,20	+/- 0,25
over 60-90mm	+/- 0,25	+/- 0,30
over 90mm	+/- 0,30	+/- 0,40

Tolerance	
x.	+/- 0,50
x.x	+/- 0,30
x.xx	+/- 0,10
x°	+/- 1°

Units:mm

Technical data

Technical data in accordance with UL/cUL

	Use Group	B	C	D
Nominal voltage (V)		300	-	300
Nominal current (A)		15	-	10
Connection capacity(AWG)		26-12	-	26-12

Technical data in accordance with IEC

Rated insulation voltage at pollution degree 2 (V)	320		
Rated current/conductor cross-section (A/mm ²)	10 / 2.5		
Solid/stranded(mm ²)	0.2-2.5 / 0.2-2.5		
Surge voltage category/pollution degree	III / 3	III / 2	II / 2
Rated insulation voltage(V)	250	320	630
Rated surge voltage(kV)	4	4	4

General data

Stripping length(mm)	6-7
Screw thread	M3
Tightening torque(Nm)	0.4-0.5
Insulation Withstanding Voltage	AC 1600 / 1min
Insulation Resistance	1000MΩ or more at DC500V
Using temperature range	-40°C-115°C

Materials

Insulation material group	PA 66 I UL94 -V0
Wire guard	PhBz, Tin plated
Cage	Brass, Ni plated
Screw	Steel, Zn plated

Packing information

Poles	Order Number	SPQ
2	CANDSO50002x000	540
3	CANDSO50003x000	360
4	CANDSO50004x000	270
5	CANDSO50005x000	200
6	CANDSO50006x000	180
7	CANDSO50007x000	150
8	CANDSO50008x000	125
9	CANDSO50009x000	110
10	CANDSO50010x000	128
11	CANDSO50011x000	90
12	CANDSO50012x000	90
13	CANDSO50013x000	90
14	CANDSO50014x000	90
15	CANDSO50015x000	80
16	CANDSO50016x000	80
17	CANDSO50017x000	40
18	CANDSO50018x000	40

Ordering code

CAND SO 500 xx x xxx
① ② ③ ④ ⑤ ⑥

- ① Type
- ② Product style
- ③ Pitch
- ④ Poles (02-18)
- ⑤ Color
- ⑥ Standard 000 or Custom XXX

Color

0 Black	5 Green
1 Brown	6 Blue
2 Red	G Pale grey
3 Orange	8 Dark grey
4 Yellow	9 White

Key Commercial data

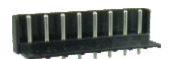
Custom tariff number	8536901000
Country of origin	CN (China)

Mating with headers

CAGAVA500 Series



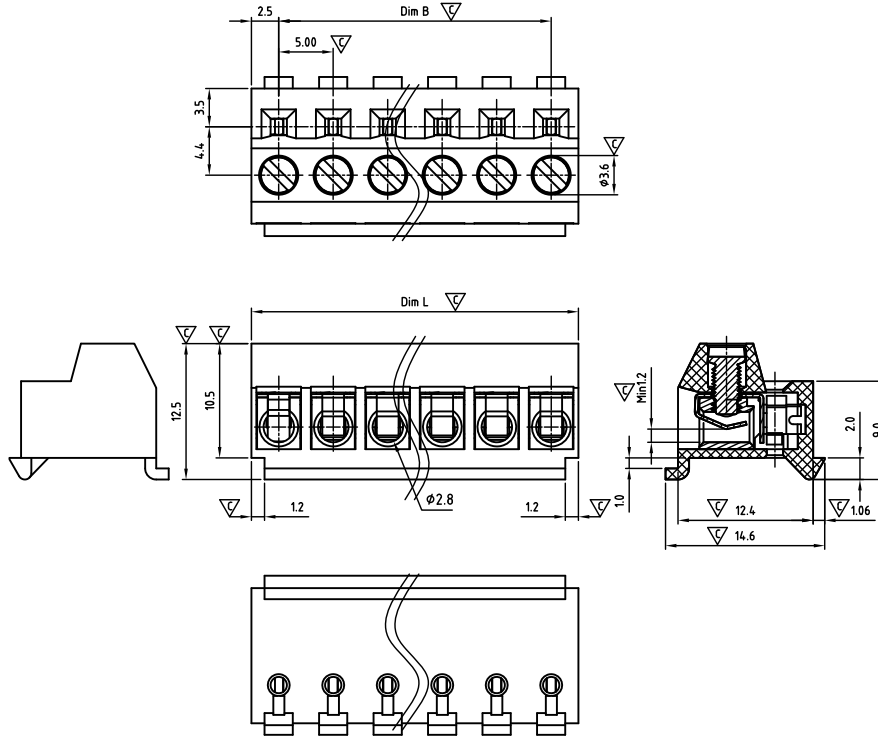
CAGEVA500 Series





CANFST500-SERIES

cULus E501953



Critical dimension: ∇

Dim.L=Px5.0

Dim.B=(P-1)x5.0

P=Number of poles (02-24)

	Dim B	Dim L
0-30mm	+/- 0,15	+/- 0,20
over 30-60mm	+/- 0,20	+/- 0,25
over 60-90mm	+/- 0,25	+/- 0,30
over 90mm	+/- 0,30	+/- 0,40

Tolerance	
x.	+/- 0,50
x.x	+/- 0,30
x.xx	+/- 0,10
x°	+/- 1°

Units:mm

Technical data

Technical data in accordance with UL/CUL

	Use Group	B	C	D
Nominal voltage (V)	300	-	-	-
Nominal current (A)	10	-	-	-
Connection capacity(AWG)	26-14	-	-	-

Technical data in accordance with IEC

Rated insulation voltage at pollution degree 2 (V)	320		
Rated current/conductor cross-section (A/mm ²)	10 / 2.5		
Solid/stranded(mm ²)	0.2-2.5 / 0.2-2.5		
Surge voltage category/pollution degree	III / 3	III / 2	II / 2
Rated insulation voltage(V)	250	320	630
Rated surge voltage(kV)	4	4	4

General data

Stripping length(mm)	6-7
Screw thread	M2.6
Tightening torque(Nm)	0.4-0.5
Insulation Withstanding Voltage	AC 1600 / 1min
Insulation Resistance	1000M Ω or more at DC500V
Using temperature range	-40°C-115°C

Materials

Insulation material group	PA 66 I UL94 -V0
Wire guard	PhBz, Tin plated
Cage	Brass, Ni plated
Screw	Steel, Zn plated

Packing information

Poles	Order Number	SPQ
2	CANFST50002x000	600
3	CANFST50003x000	400
4	CANFST50004x000	300
5	CANFST50005x000	240
6	CANFST50006x000	205
7	CANFST50007x000	175
8	CANFST50008x000	155
9	CANFST50009x000	135
10	CANFST50010x000	120
11	CANFST50011x000	100
12	CANFST50012x000	100
13	CANFST50013x000	85
14	CANFST50014x000	75
15	CANFST50015x000	75
16	CANFST50016x000	65
17	CANFST50017x000	65
18	CANFST50018x000	65
19	CANFST50019x000	60
20	CANFST50020x000	60
21	CANFST50021x000	50
22	CANFST50022x000	50
23	CANFST50023x000	50
24	CANFST50024x000	50

Ordering code

CANFST 500 xx x xxx

① ② ③ ④ ⑤ ⑥

- ① Type
- ② Product style
- ③ Pitch
- ④ Poles (02-24)
- ⑤ Color
- ⑥ Standard 000 or Custom XXX

Color

0 Black	5 Green
1 Brown	6 Blue
2 Red	G Pale grey
3 Orange	8 Dark grey
4 Yellow	9 White

Key Commercial data

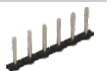
Custom tariff number	8536901000
Country of origin	CN (China)

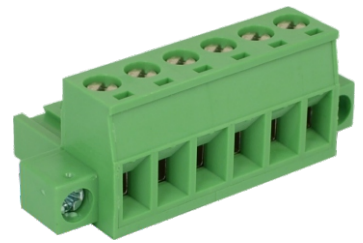
Mating with headers

CAGBVA500 Series



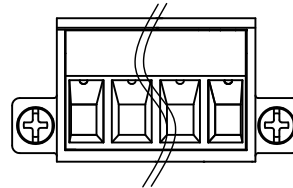
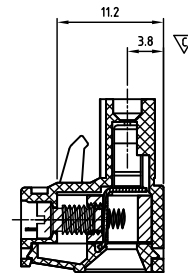
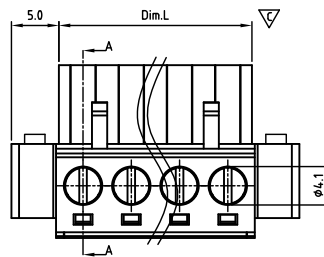
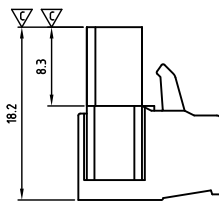
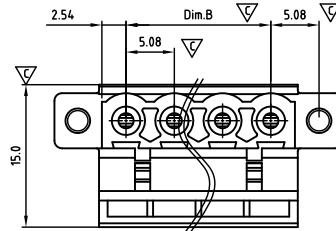
CAWA03500 Series





CAMAFD508-SERIES

cULus E501953



Critical dimension: ▽

Dim.L=Px5.08

Dim.B=(P-1)x5.08

P=Number of poles (02-24)

	Dim B	Dim L
0-30mm	+/- 0,15	+/- 0,20
over 30-60mm	+/- 0,20	+/- 0,25
over 60-90mm	+/- 0,25	+/- 0,30
over 90mm	+/- 0,30	+/- 0,40

Tolerance	
x.	+/- 0,50
x.x	+/- 0,30
x.xx	+/- 0,10
x°	+/- 1°

Units:mm

Technical data

Technical data in accordance with UL/CUL

	Use Group	B	C	D
Nominal voltage (V)		300	-	300
Nominal current (A)		15	-	10
Connection capacity(AWG)		30-12	-	30-12

Technical data in accordance with IEC and VDE

Rated insulation voltage at pollution degree 2 (V)	320		
Rated current/conductor cross-section (A/mm ²)	12 / 2,5		
Solid/stranded(mm ²)	0,2-2,5 / 0,2-2,5		
Surge voltage category/pollution degree	III / 3	III / 2	II / 2
Rated insulation voltage(V)	250	320	630
Rated surge voltage(kV)	4	4	4

General data

Stripping length(mm)	7-8
Screw thread	M3
Tightening torque(Nm)	0,5-0,6
Insulation Withstanding Voltage	AC1600V / 1min
Insulation Resistance	1000MΩ or more at DC500V
Using temperature range	-40°C-115°C

Materials

Insulation material group	PA 66 I UL94 -V0
Wire guard	PhBz, Tin plated
Cage	Brass, Ni plated
Screw	Steel, Zn plated

Packing information

Poles	Order Number	SPQ
2	CAMAFD50802x000	250
3	CAMAFD50803x000	200
4	CAMAFD50804x000	150
5	CAMAFD50805x000	110
6	CAMAFD50806x000	95
7	CAMAFD50807x000	70
8	CAMAFD50808x000	70
9	CAMAFD50809x000	70
10	CAMAFD50810x000	65
11	CAMAFD50811x000	60
12	CAMAFD50812x000	50
13	CAMAFD50813x000	50
14	CAMAFD50814x000	45
15	CAMAFD50815x000	45
16	CAMAFD50816x000	45
17	CAMAFD50817x000	40
18	CAMAFD50818x000	35
19	CAMAFD50819x000	30
20	CAMAFD50820x000	30
21	CAMAFD50821x000	30
22	CAMAFD50822x000	30
23	CAMAFD50823x000	20
24	CAMAFD50824x000	20

Ordering code

CAMA FD 508 xx x xxx

① ② ③ ④ ⑤ ⑥

- ① Type
- ② Product style
- ③ Pitch
- ④ Poles (02-24)
- ⑤ Color
- ⑥ Standard 000 or Custom XXX

Color

0 Black	5 Green
1 Brown	6 Blue
2 Red	G Pale grey
3 Orange	8 Dark grey
4 Yellow	9 White

Key Commercial data

Custom tariff number	8536901000
Country of origin	CN (China)

Mating with headers

CAHACH508 Series



CAHACV508 Series



CAHAFH508 Series



CAHAFV508 Series



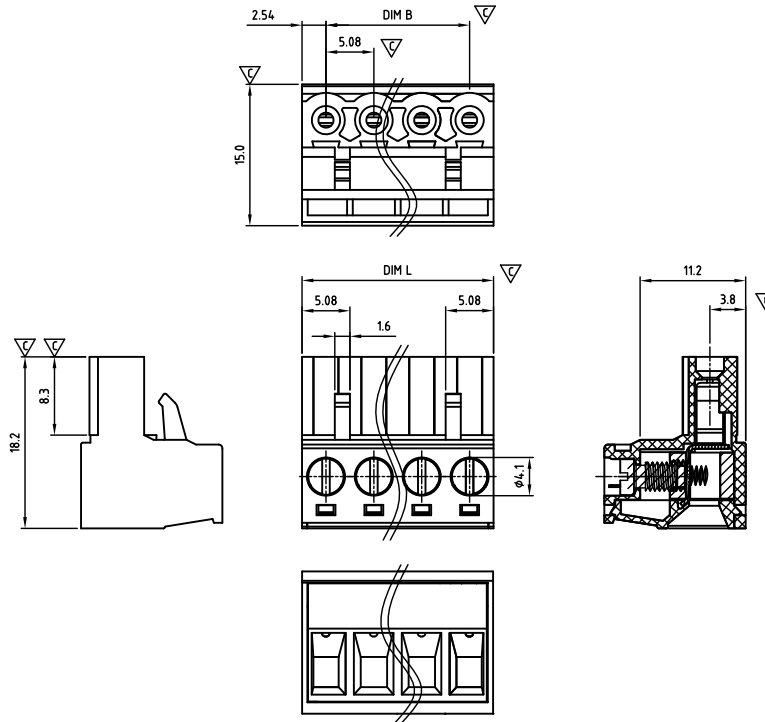
CAHECV508 Series





CAMASD508-SERIES

cULus E501953



Critical dimension: ∇

Dim.L=Px5.08

Dim.B=(P-1)x5.08

P=Number of poles (02-24)

	Dim B	Dim L
0-30mm	+/- 0,15	+/- 0,20
over 30-60mm	+/- 0,20	+/- 0,25
over 60-90mm	+/- 0,25	+/- 0,30
over 90mm	+/- 0,30	+/- 0,40

Tolerance	
x.	+/- 0,50
x.x	+/- 0,30
x.xx	+/- 0,10
x°	+/- 1°

Units:mm

Pitch 5,08mm

Technical data

Technical data in accordance with UL/CUL

	Use Group	B	C	D
Nominal voltage (V)		300	-	300
Nominal current (A)		15	-	10
Connection capacity(AWG)		30-12	-	30-12

Technical data in accordance with IEC and VDE

Rated insulation voltage at pollution degree 2 (V)	320		
Rated current/conductor cross-section (A/mm ²)	12 / 2.5		
Solid/stranded(mm ²)	0.2-2.5 / 0.2-2.5		
Surge voltage category/pollution degree	III / 3	III / 2	II / 2
Rated insulation voltage(V)	250	320	630
Rated surge voltage(kV)	4	4	4

General data

Stripping length(mm)	7-8
Screw thread	M3
Tightening torque(Nm)	0.5-0.6
Insulation Withstanding Voltage	AC1600V / 1min
Insulation Resistance	1000M Ω or more at DC500V
Using temperature range	-40°C-115°C

Materials

Insulation material group	PA 66 I UL94 -V0
Wire guard	PhBz, Tin plated
Cage	Brass, Ni plated
Screw	Steel, Zn plated

Packing information

Poles	Order Number	SPQ
2	CAMASD50802x000	350
3	CAMASD50803x000	180
4	CAMASD50804x000	150
5	CAMASD50805x000	150
6	CAMASD50806x000	120
7	CAMASD50807x000	95
8	CAMASD50808x000	95
9	CAMASD50809x000	75
10	CAMASD50810x000	75
11	CAMASD50811x000	65
12	CAMASD50812x000	65
13	CAMASD50813x000	55
14	CAMASD50814x000	50
15	CAMASD50815x000	45
16	CAMASD50816x000	45
17	CAMASD50817x000	45
18	CAMASD50818x000	35
19	CAMASD50819x000	35
20	CAMASD50820x000	30
21	CAMASD50821x000	30
22	CAMASD50822x000	30
23	CAMASD50823x000	30
24	CAMASD50824x000	30

Ordering code

CAMA SD 508 xx x xxx

① ② ③ ④ ⑤ ⑥

- ① Type
- ② Product style
- ③ Pitch
- ④ Poles (02-24)
- ⑤ Color
- ⑥ Standard 000 or Custom XXX

Color

0 Black	5 Green
1 Brown	6 Blue
2 Red	G Pale grey
3 Orange	8 Dark grey
4 Yellow	9 White

Key Commercial data

Custom tariff number	8536901000
Country of origin	CN (China)

Mating with headers

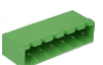
CAHAAH508 Series



CAHAAV508 Series



CAHABH508 Series



CAHABV508Series



CAHAEH508 Series



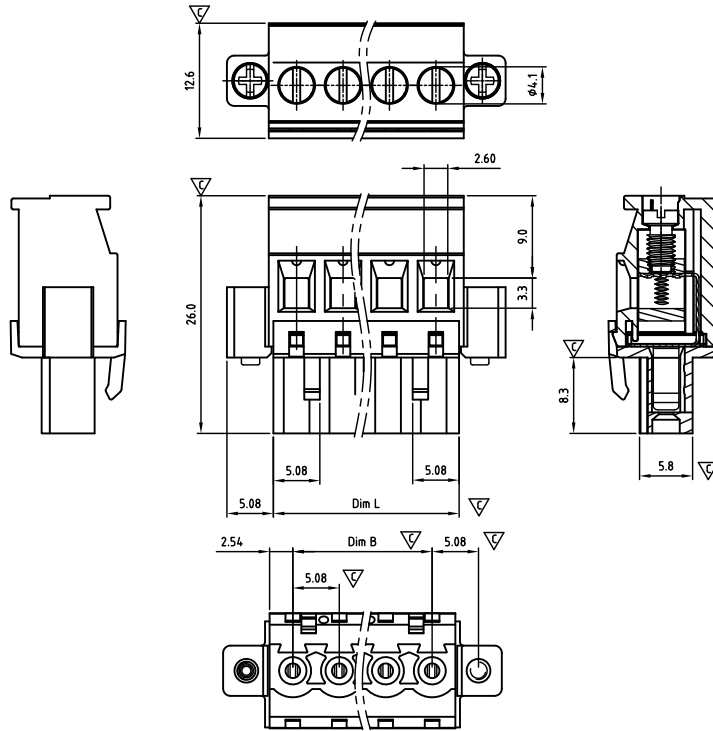
CAHAEV508Series





CAMBFR508-SERIES

cULus E501953



Critical dimension: ∇

Dim L = P x 5.08		
Dim B = (P-1) x 5.08		
P = Number of poles (02-24)		
	Dim B	Dim L
0-30mm	+/- 0,15	+/- 0,20
over 30-60mm	+/- 0,20	+/- 0,25
over 60-90mm	+/- 0,25	+/- 0,30
over 90mm	+/- 0,30	+/- 0,40

Tolerance	
x.	+/- 0,50
x.x	+/- 0,30
x.xx	+/- 0,10
x°	+/- 1°
	Units:mm

Technical data

Technical data in accordance with UL/CUL

	Use Group	B	C	D
Nominal voltage (V)		300	-	300
Nominal current (A)		15	-	10
Connection capacity (AWG)		30-12	-	30-12

Technical data in accordance with IEC and VDE

Rated insulation voltage at pollution degree 2 (V)		320		
Rated current/conductor cross-section (A/mm ²)		12 / 2.5		
Solid/stranded (mm ²)		0.2-2.5 / 0.2-2.5		
Surge voltage category/pollution degree	III / 3	III / 2	II / 2	
Rated insulation voltage (V)	250	320	630	
Rated surge voltage (kV)	4	4	4	

General data

Stripping length (mm)		6-7
Screw thread		M3
Tightening torque (Nm)		0.5-0.6
Insulation Withstanding Voltage		AC1600V / 1min
Insulation Resistance		1000M Ω or more at DC500V
Using temperature range		-40°C-115°C

Materials

Insulation material group		PA 66 I UL94 -V0
Wire guard		PhBz, Tin plated
Cage		Brass, Ni plated
Screw		Steel, Zn plated

Packing information

Poles	Order Number	SPQ
2	CAMBFR50802x000	250
3	CAMBFR50803x000	140
4	CAMBFR50804x000	120
5	CAMBFR50805x000	80
6	CAMBFR50806x000	80
7	CAMBFR50807x000	70
8	CAMBFR50808x000	55
9	CAMBFR50809x000	55
10	CAMBFR50810x000	55
11	CAMBFR50811x000	50
12	CAMBFR50812x000	40
13	CAMBFR50813x000	35
14	CAMBFR50814x000	35
15	CAMBFR50815x000	35
16	CAMBFR50816x000	35
17	CAMBFR50817x000	35
18	CAMBFR50818x000	30
19	CAMBFR50819x000	28
20	CAMBFR50820x000	28
21	CAMBFR50821x000	28
22	CAMBFR50822x000	28
23	CAMBFR50823x000	16
24	CAMBFR50824x000	16

Ordering code

CAMB FR 508 xx x xxx
① ② ③ ④ ⑤ ⑥

- ① Type
- ② Product style
- ③ Pitch
- ④ Poles (02-24)
- ⑤ Color
- ⑥ Standard 000 or Custom XXX

Color

0 Black	5 Green
1 Brown	6 Blue
2 Red	G Pale grey
3 Orange	8 Dark grey
4 Yellow	9 White

Key Commercial data

Custom tariff number	8536901000
Country of origin	CN (China)

Mating with headers

CAHACH508 Series



CAHACV508 Series



CAHAFH508 Series



CAHAFV508 Series



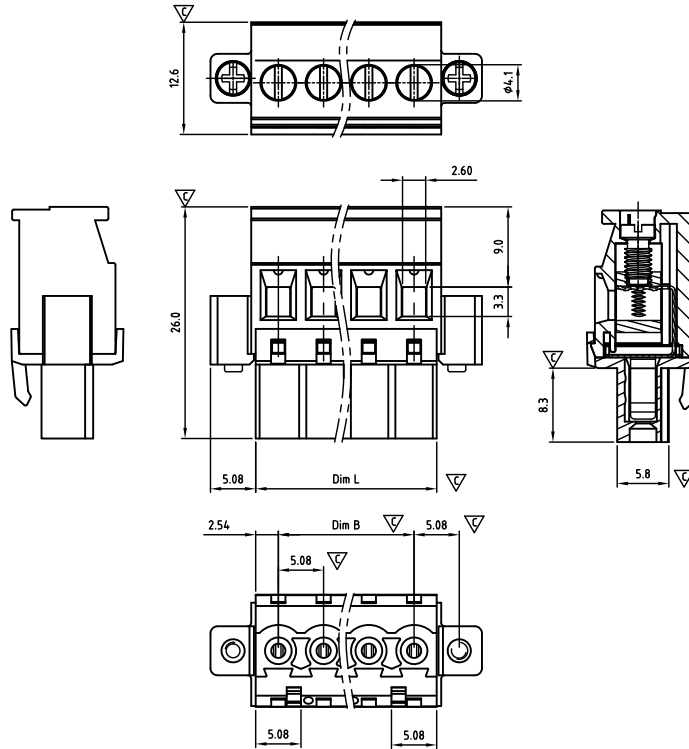
CAHECV508 Series





CAMBFW508-SERIES

cULus E501953



Critical dimension: ▽

Dim.L=Px5.08		
Dim.B=(P-1)x5.08		
P=Number of poles (02-24)		
	Dim B	Dim L
0-30mm	+/- 0,15	+/- 0,20
over 30-60mm	+/- 0,20	+/- 0,25
over 60-90mm	+/- 0,25	+/- 0,30
over 90mm	+/- 0,30	+/- 0,40

Tolerance	
x.	+/- 0,50
x.x	+/- 0,30
x.xx	+/- 0,10
x°	+/- 1°
Units:mm	

Technical data

Technical data in accordance with UL/CUL

	Use Group	B	C	D
Nominal voltage (V)		300	-	300
Nominal current (A)		15	-	10
Connection capacity(AWG)		30-12	-	30-12

Technical data in accordance with IEC and VDE

Rated insulation voltage at pollution degree 2 (V)	320		
Rated current/conductor cross-section (A/mm ²)	12 / 2.5		
Solid/stranded(mm ²)	0.2-2.5 / 0.2-2.5		
Surge voltage category/pollution degree	III / 3	III / 2	II / 2
Rated insulation voltage(V)	250	320	630
Rated surge voltage(kV)	4	4	4

General data

Stripping length(mm)	6-7
Screw thread	M3
Tightening torque(Nm)	0.5-0.6
Insulation Withstanding Voltage	AC1600V / 1min
Insulation Resistance	1000MΩ or more at DC500V
Using temperature range	-40°C-115°C

Materials

Insulation material group	PA 66 I UL94 -V0
Wire guard	PhBz, Tin plated
Cage	Brass, Ni plated
Screw	Steel, Zn plated

Packing information

Poles	Order Number	SPQ
2	CAMBFW50802x000	250
3	CAMBFW50803x000	140
4	CAMBFW50804x000	120
5	CAMBFW50805x000	80
6	CAMBFW50806x000	80
7	CAMBFW50807x000	70
8	CAMBFW50808x000	55
9	CAMBFW50809x000	55
10	CAMBFW50810x000	55
11	CAMBFW50811x000	50
12	CAMBFW50812x000	40
13	CAMBFW50813x000	35
14	CAMBFW50814x000	35
15	CAMBFW50815x000	35
16	CAMBFW50816x000	35
17	CAMBFW50817x000	35
18	CAMBFW50818x000	30
19	CAMBFW50819x000	28
20	CAMBFW50820x000	28
21	CAMBFW50821x000	28
22	CAMBFW50822x000	28
23	CAMBFW50823x000	16
24	CAMBFW50824x000	16

Ordering code

CAMB FW 508 xx x xxx

① ② ③ ④ ⑤ ⑥

- ① Type
- ② Product style
- ③ Pitch
- ④ Poles (02-24)
- ⑤ Color
- ⑥ Standard 000 or Custom XXX

Color

0 Black	5 Green
1 Brown	6 Blue
2 Red	G Pale grey
3 Orange	8 Dark grey
4 Yellow	9 White

Key Commercial data

Custom tariff number	8536901000
Country of origin	CN (China)

Mating with headers

CAHACH508 Series



CAHACV508 Series



CAHAFH508 Series



CAHAFV508 Series



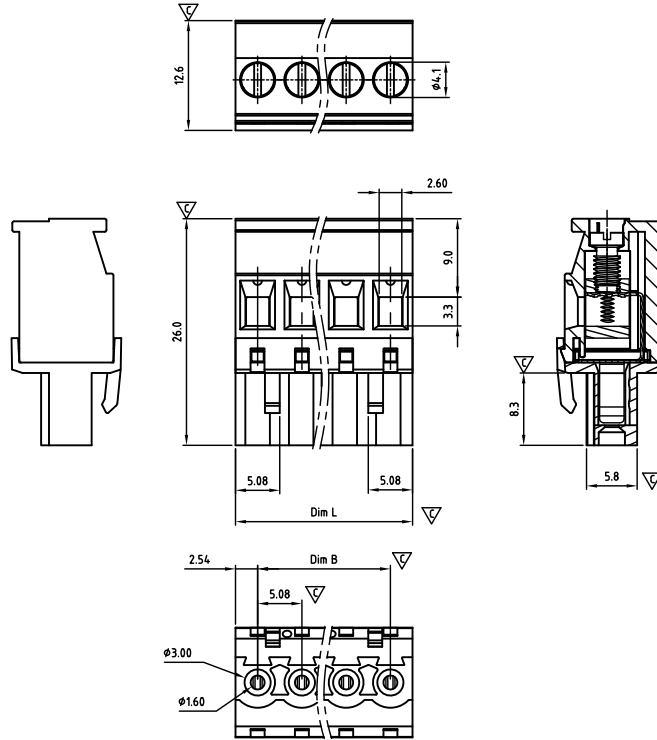
CAHECV508 Series





CAMBSR508-SERIES

cULus E501953



Critical dimension: ▽

Dim.L=Px5.08

Dim.B=(P-1)x5.08

P=Number of poles (02-24)

	Dim B	Dim L
0-30mm	+/- 0,15	+/- 0,20
over 30-60mm	+/- 0,20	+/- 0,25
over 60-90mm	+/- 0,25	+/- 0,30
over 90mm	+/- 0,30	+/- 0,40

Tolerance	
x.	+/- 0,50
x.x	+/- 0,30
x.xx	+/- 0,10
x°	+/-1°
	Units:mm

Technical data

Technical data in accordance with UL/CUL

	Use Group	B	C	D
Nominal voltage (V)		300	-	300
Nominal current (A)		15	-	10
Connection capacity(AWG)		30-12	-	30-12

Technical data in accordance with IEC and VDE

Rated insulation voltage at pollution degree 2 (V)	320		
Rated current/conductor cross-section (A/mm ²)	12 / 2.5		
Solid/stranded(mm ²)	0.2-2.5 / 0.2-2.5		
Surge voltage category/pollution degree	III / 3	III / 2	II / 2
Rated insulation voltage(V)	250	320	630
Rated surge voltage(kV)	4	4	4

General data

Stripping length(mm)	6-7
Screw thread	M3
Tightening torque(Nm)	0.5-0.6
Insulation Withstanding Voltage	AC1600V / 1min
Insulation Resistance	1000MΩ or more at DC500V
Using temperature range	-40°C-115°C

Materials

Insulation material group	PA 66 I UL94 -V0
Wire guard	PhBz, Tin plated
Cage	Brass, Ni plated
Screw	Steel, Zn plated

Packing information

Poles	Order Number	SPQ
2	CAMBSR50802x000	250
3	CAMBSR50803x000	165
4	CAMBSR50804x000	130
5	CAMBSR50805x000	110
6	CAMBSR50806x000	90
7	CAMBSR50807x000	84
8	CAMBSR50808x000	80
9	CAMBSR50809x000	70
10	CAMBSR50810x000	55
11	CAMBSR50811x000	55
12	CAMBSR50812x000	55
13	CAMBSR50813x000	50
14	CAMBSR50814x000	45
15	CAMBSR50815x000	35
16	CAMBSR50816x000	35
17	CAMBSR50817x000	35
18	CAMBSR50818x000	35
19	CAMBSR50819x000	35
20	CAMBSR50820x000	35
21	CAMBSR50821x000	25
22	CAMBSR50822x000	25
23	CAMBSR50823x000	25
24	CAMBSR50824x000	25

Ordering code

CAMB SR 508 xx x xxx
① ② ③ ④ ⑤ ⑥

- ① Type
- ② Product style
- ③ Pitch
- ④ Poles (02-24)
- ⑤ Color
- ⑥ Standard 000 or Custom XXX

Color

0 Black	5 Green
1 Brown	6 Blue
2 Red	G Pale grey
3 Orange	8 Dark grey
4 Yellow	9 White

Key Commercial data

Custom tariff number	8536901000
Country of origin	CN (China)

Mating with headers

CAHAAH508 Series



CAHAAV508 Series



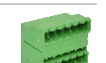
CAHABH508 Series



CAHABV508 Series



CAHAEH508 Series



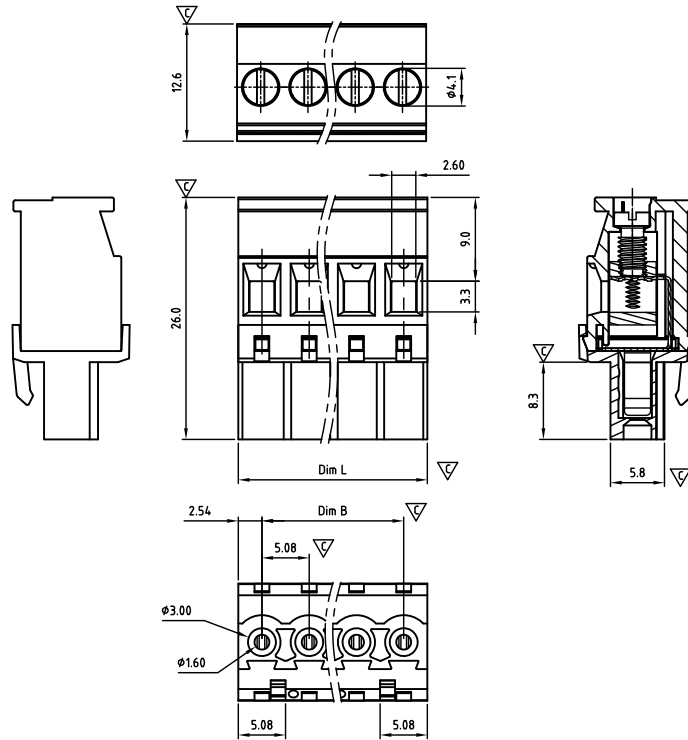
CAHAEV508 Series





CAMBSW508-SERIES

cULus E501953



Critical dimension: ▽

Dim.L=Px5.08		
Dim.B=(P-1)x5.08		
P=Number of poles (02-24)		
	Dim B	Dim L
0-30mm	+/- 0,15	+/- 0,20
over 30-60mm	+/- 0,20	+/- 0,25
over 60-90mm	+/- 0,25	+/- 0,30
over 90mm	+/- 0,30	+/- 0,40

Tolerance	
x.	+/- 0,50
x.x	+/- 0,30
x.xx	+/- 0,10
x°	+/-1°
	Units:mm

Technical data

Technical data in accordance with UL/CUL

	Use Group	B	C	D
Nominal voltage (V)		300	-	300
Nominal current (A)		15	-	10
Connection capacity(AWG)		30-12	-	30-12

Technical data in accordance with IEC and VDE

Rated insulation voltage at pollution degree 2 (V)	320		
Rated current/conductor cross-section (A/mm ²)	12 / 2.5		
Solid/stranded(mm ²)	0.2-2.5 / 0.2-2.5		
Surge voltage category/pollution degree	III / 3	III / 2	II / 2
Rated insulation voltage(V)	250	320	630
Rated surge voltage(kV)	4	4	4

General data

Stripping length(mm)	6-7
Screw thread	M3
Tightening torque(Nm)	0.5-0.6
Insulation Withstanding Voltage	AC1600V / 1min
Insulation Resistance	1000MΩ or more at DC500V
Using temperature range	-40°C-115°C

Materials

Insulation material group	PA 66 I UL94 -V0
Wire guard	PhBz, Tin plated
Cage	Brass, Ni plated
Screw	Steel, Zn plated

Packing information

Poles	Order Number	SPQ
2	CAMBSW50802x000	250
3	CAMBSW50803x000	165
4	CAMBSW50804x000	130
5	CAMBSW50805x000	110
6	CAMBSW50806x000	90
7	CAMBSW50807x000	84
8	CAMBSW50808x000	80
9	CAMBSW50809x000	70
10	CAMBSW50810x000	55
11	CAMBSW50811x000	55
12	CAMBSW50812x000	55
13	CAMBSW50813x000	50
14	CAMBSW50814x000	45
15	CAMBSW50815x000	35
16	CAMBSW50816x000	35
17	CAMBSW50817x000	35
18	CAMBSW50818x000	35
19	CAMBSW50819x000	35
20	CAMBSW50820x000	35
21	CAMBSW50821x000	25
22	CAMBSW50822x000	25
23	CAMBSW50823x000	25
24	CAMBSW50824x000	25

Ordering code

CAMB SW 508 xx x xxx

① ② ③ ④ ⑤ ⑥

- ① Type
- ② Product style
- ③ Pitch
- ④ Poles (02-24)
- ⑤ Color
- ⑥ Standard 000 or Custom XXX

Color

0 Black	5 Green
1 Brown	6 Blue
2 Red	G Pale grey
3 Orange	8 Dark grey
4 Yellow	9 White

Key Commercial data

Custom tariff number	8536901000
Country of origin	CN (China)

Mating with headers

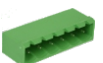
CAHAAH508 Series



CAHAAV508 Series



CAHABH508 Series



CAHABV508 Series



CAHAEH508 Series



CAHAEV508 Series

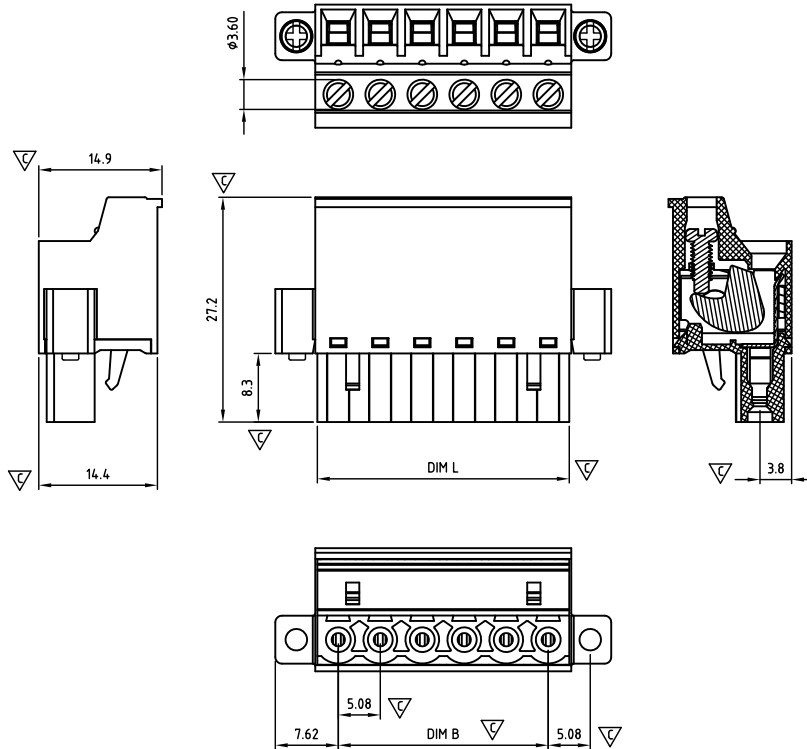




CAMCFD508-SERIES

Pitch 5,08mm

ULus E501953



Critical dimension: ∇

Dim.L=Px5.08

Dim.B=(P-1)x5.08

P=Number of poles (02-24)

	Dim B	Dim L
0-30mm	+/- 0,15	+/- 0,20
over 30-60mm	+/- 0,20	+/- 0,25
over 60-90mm	+/- 0,25	+/- 0,30
over 90mm	+/- 0,30	+/- 0,40

Tolerance	
x.	+/- 0,50
x.x	+/- 0,30
x.xx	+/- 0,10
x°	+/- 1°
Units:mm	

Technical data

Technical data in accordance with UL/CUL

	Use Group	B	C	D
Nominal voltage (V)		300	-	300
Nominal current (A)		15	-	10
Connection capacity(AWG)		22-12	-	22-12

Technical data in accordance with IEC

Rated insulation voltage at pollution degree 2 (V)	320		
Rated current/conductor cross-section (A/mm ²)	12 / 2.5		
Solid/stranded(mm ²)	0.5-2.5 / 0.5-2.5		
Surge voltage category/pollution degree	III / 3	III / 2	II / 2
Rated insulation voltage(V)	250	320	630
Rated surge voltage(kV)	4	4	4

General data

Stripping length(mm)	8-9
Screw thread	M2,5
Tightening torque(Nm)	0.4-0.8
Insulation Withstanding Voltage	AC1600V / 1min
Insulation Resistance	1000M Ω or more at DC500V
Using temperature range	-40°C-115°C

Materials

Insulation material group	PA 66 I UL94 -V0
Wire guard	PhBz, Tin plated
Cage	Steel, Zn plated
Screw	Steel, Zn plated

Packing information

Poles	Order Number	SPQ
2	CAMCFD50802x000	140
3	CAMCFD50803x000	110
4	CAMCFD50804x000	95
5	CAMCFD50805x000	80
6	CAMCFD50806x000	60
7	CAMCFD50807x000	60
8	CAMCFD50808x000	45
9	CAMCFD50809x000	45
10	CAMCFD50810x000	45
11	CAMCFD50811x000	45
12	CAMCFD50812x000	35
13	CAMCFD50813x000	35
14	CAMCFD50814x000	30
15	CAMCFD50815x000	30
16	CAMCFD50816x000	30
17	CAMCFD50817x000	30
18	CAMCFD50818x000	15
19	CAMCFD50819x000	15
20	CAMCFD50820x000	15
21	CAMCFD50821x000	15
22	CAMCFD50822x000	15
23	CAMCFD50823x000	15
24	CAMCFD50824x000	15

Ordering code

CAMC FD 508 xx x xxx
① ② ③ ④ ⑤ ⑥

- ① Type
- ② Product style
- ③ Pitch
- ④ Poles (02-24)
- ⑤ Color
- ⑥ Standard 000 or Custom XXX

Color

0 Black	5 Green
1 Brown	6 Blue
2 Red	G Pale grey
3 Orange	8 Dark grey
4 Yellow	9 White

Key Commercial data

Custom tariff number	8536901000
Country of origin	CN (China)

Mating with headers

CAHACH508 Series



CAHACV508 Series



CAHAFH508 Series



CAHAFV508 Series



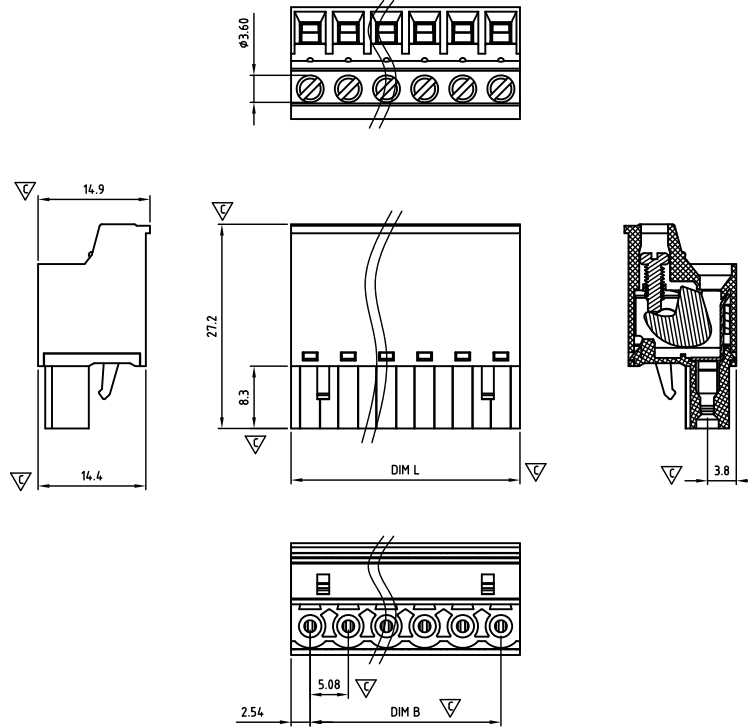
CAHECV508 Series





CAMCSD508-SERIES

cULus E501953



Critical dimension: ∇

Dim.L=Px5.08		
Dim.B=(P-1)x5.08		
P=Number of poles (02-24)		
	Dim B	Dim L
0-30mm	+/- 0,15	+/- 0,20
over 30-60mm	+/- 0,20	+/- 0,25
over 60-90mm	+/- 0,25	+/- 0,30
over 90mm	+/- 0,30	+/- 0,40

Tolerance	
x.	+/- 0,50
x.x	+/- 0,30
x.xx	+/- 0,10
x°	+/- 1°
Units:mm	

Technical data

Technical data in accordance with UL/CUL

	Use Group	B	C	D
Nominal voltage (V)		300	-	300
Nominal current (A)		15	-	10
Connection capacity(AWG)		22-12	-	22-12

Technical data in accordance with IEC

Rated insulation voltage at pollution degree 2 (V)	320		
Rated current/conductor cross-section (A/mm ²)	12 / 2.5		
Solid/stranded(mm ²)	0.5-2.5 / 0.5-2.5		
Surge voltage category/pollution degree	III / 3	III / 2	II / 2
Rated insulation voltage(V)	250	320	630
Rated surge voltage(kV)	4	4	4

General data

Stripping length(mm)	8-9
Screw thread	M2,5
Tightening torque(Nm)	0.4-0.8
Insulation Withstanding Voltage	AC1600V / 1min
Insulation Resistance	1000M Ω or more at DC500V
Using temperature range	-40°C-115°C

Materials

Insulation material group	PA 66 I UL94 -V0
Wire guard	PhBz, Tin plated
Cage	Steel, Zn plated
Screw	Steel, Zn plated

Packing information

Poles	Order Number	SPQ
2	CAMCSD50802x000	200
3	CAMCSD50803x000	140
4	CAMCSD50804x000	120
5	CAMCSD50805x000	95
6	CAMCSD50806x000	70
7	CAMCSD50807x000	70
8	CAMCSD50808x000	70
9	CAMCSD50809x000	60
10	CAMCSD50810x000	45
11	CAMCSD50811x000	45
12	CAMCSD50812x000	45
13	CAMCSD50813x000	40
14	CAMCSD50814x000	30
15	CAMCSD50815x000	30
16	CAMCSD50816x000	30
17	CAMCSD50817x000	30
18	CAMCSD50818x000	30
19	CAMCSD50819x000	30
20	CAMCSD50820x000	24
21	CAMCSD50821x000	24
22	CAMCSD50822x000	24
23	CAMCSD50823x000	24
24	CAMCSD50824x000	24

Ordering code

CAMC SD 508 xx x xxx
① ② ③ ④ ⑤ ⑥

- ① Type
- ② Product style
- ③ Pitch
- ④ Poles (02-24)
- ⑤ Color
- ⑥ Standard 000 or Custom XXX

Color

0 Black	5 Green
1 Brown	6 Blue
2 Red	G Pale grey
3 Orange	8 Dark grey
4 Yellow	9 White

Key Commercial data

Custom tariff number	8536901000
Country of origin	CN (China)

Mating with headers

CAHAAH508 Series



CAHAAV508 Series



CAHABH508 Series



CAHABV508 Series



CAHAEH508 Series



CAHAEV508 Series



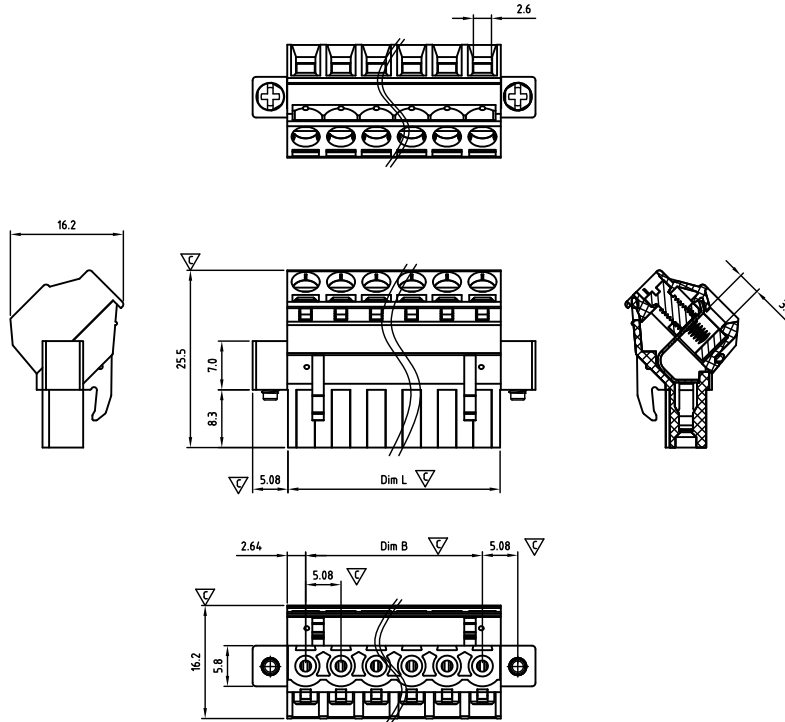
Pitch 5,08mm





CAMEFO508-SERIES

cULus E501953



Critical dimension: ▽

Dim.L=Px5.08		
Dim.B=(P-1)x5.08		
P=Number of poles (02-24)		
	Dim B	Dim L
0-30mm	+/- 0,15	+/- 0,20
over 30-60mm	+/- 0,20	+/- 0,25
over 60-90mm	+/- 0,25	+/- 0,30
over 90mm	+/- 0,30	+/- 0,40

Tolerance	
x.	+/- 0,50
x.x	+/- 0,30
x.xx	+/- 0,10
x°	+/- 1°
	Units:mm

Technical data

Technical data in accordance with UL/CUL

	Use Group	B	C	D
Nominal voltage (V)		300	-	300
Nominal current (A)		15	-	10
Connection capacity(AWG)		30-12	-	30-12

Technical data in accordance with IEC

Rated insulation voltage at pollution degree 2 (V)		320		
Rated current/conductor cross-section (A/mm ²)		12 / 2.5		
Solid/stranded(mm ²)		0.2-2.5 / 0.25-2.5		
Surge voltage category/pollution degree	III / 3	III / 2	II / 2	
Rated insulation voltage(V)	250	320	630	
Rated surge voltage(kV)	4	4	4	

General data

Stripping length(mm)		7-8
Screw thread		M3
Tightening torque(Nm)		0.5-0.6
Insulation Withstanding Voltage		AC1600V / 1min
Insulation Resistance		1000MΩ or more at DC500V
Using temperature range		-40°C-115°C

Materials

Insulation material group		PA 66 I UL94 -V0
Wire guard		PhBz, Tin plated
Cage		Brass, Zn plated
Screw		Steel, Zn plated

Packing information

Poles	Order Number	SPQ
2	CAMEFO50802x000	200
3	CAMEFO50803x000	150
4	CAMEFO50804x000	100
5	CAMEFO50805x000	70
6	CAMEFO50806x000	70
7	CAMEFO50807x000	60
8	CAMEFO50808x000	55
9	CAMEFO50809x000	45
10	CAMEFO50810x000	45
11	CAMEFO50811x000	40
12	CAMEFO50812x000	35
13	CAMEFO50813x000	35
14	CAMEFO50814x000	30
15	CAMEFO50815x000	30
16	CAMEFO50816x000	30
17	CAMEFO50817x000	30
18	CAMEFO50818x000	20
19	CAMEFO50819x000	20
20	CAMEFO50820x000	20
21	CAMEFO50821x000	20
22	CAMEFO50822x000	20
23	CAMEFO50823x000	15
24	CAMEFO50824x000	15

Ordering code

CAME FO 508 xx x xxx
① ② ③ ④ ⑤ ⑥

- ① Type
- ② Product style
- ③ Pitch
- ④ Poles (02-24)
- ⑤ Color
- ⑥ Standard 000 or Custom XXX

Color

0 Black	5 Green
1 Brown	6 Blue
2 Red	G Pale grey
3 Orange	8 Dark grey
4 Yellow	9 White

Key Commercial data

Custom tariff number	8536901000
Country of origin	CN (China)

Mating with headers

CAHACH508 Series



CAHACV508 Series



CAHAFH508 Series



CAHAFV508 Series



CAHECV508 Series

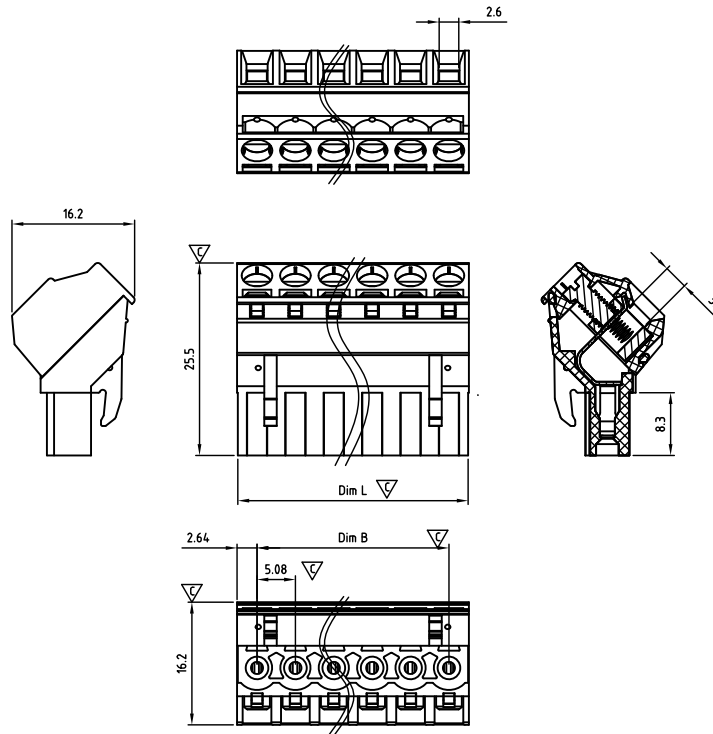




PLUGGABLE TERMINAL BLOCKS

CAMESO508-SERIES

cULus E501953



Critical dimension: ▽

Dim.L=Px5.08

Dim.B=(P-1)x5.08

P=Number of poles (02-24)

	Dim B	Dim L
0-30mm	+/- 0,15	+/- 0,20
over 30-60mm	+/- 0,20	+/- 0,25
over 60-90mm	+/- 0,25	+/- 0,30
over 90mm	+/- 0,30	+/- 0,40

Tolerance	
x.	+/- 0,50
x.x	+/- 0,30
x.xx	+/- 0,10
x°	+/- 1°

Units:mm

Technical data

Technical data in accordance with UL/CUL

	Use Group	B	C	D
Nominal voltage (V)		300	-	300
Nominal current (A)		15	-	10
Connection capacity(AWG)		30-12	-	30-12

Technical data in accordance with IEC

Rated insulation voltage at pollution degree 2 (V)	320		
Rated current/conductor cross-section (A/mm ²)	12 / 2.5		
Solid/stranded(mm ²)	0.2-2.5 / 0.25-2.5		
Surge voltage category/pollution degree	III / 3	III / 2	II / 2
Rated insulation voltage(V)	250	320	630
Rated surge voltage(kV)	4	4	4

General data

Stripping length(mm)	7-8
Screw thread	M3
Tightening torque(Nm)	0.5-0.6
Insulation Withstanding Voltage	AC1600V / 1min
Insulation Resistance	1000MΩ or more at DC500V
Using temperature range	-40°C-115°C

Materials

Insulation material group	PA 66 I UL94 -V0
Wire guard	PhBz, Tin plated
Cage	Brass, Zn plated
Screw	Steel, Zn plated

Packing information

Poles	Order Number	SPQ
2	CAMESO50802x000	300
3	CAMESO50803x000	200
4	CAMESO50804x000	150
5	CAMESO50805x000	105
6	CAMESO50806x000	95
7	CAMESO50807x000	70
8	CAMESO50808x000	70
9	CAMESO50809x000	60
10	CAMESO50810x000	55
11	CAMESO50811x000	45
12	CAMESO50812x000	45
13	CAMESO50813x000	40
14	CAMESO50814x000	35
15	CAMESO50815x000	35
16	CAMESO50816x000	30
17	CAMESO50817x000	30
18	CAMESO50818x000	30
19	CAMESO50819x000	30
20	CAMESO50820x000	30
21	CAMESO50821x000	20
22	CAMESO50822x000	20
23	CAMESO50823x000	20
24	CAMESO50824x000	20

Ordering code

CAME SO 508 xx x xxx
① ② ③ ④ ⑤ ⑥

- ① Type
- ② Product style
- ③ Pitch
- ④ Poles (02-24)
- ⑤ Color
- ⑥ Standard 000 or Custom XXX

Color

0 Black	5 Green
1 Brown	6 Blue
2 Red	G Pale grey
3 Orange	8 Dark grey
4 Yellow	9 White

Key Commercial data

Custom tariff number	8536901000
Country of origin	CN (China)

Mating with headers

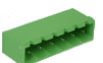
CAHAAH508 Series



CAHAAV508 Series



CAHABH508 Series



CAHABV508 Series



CAHAEH508 Series



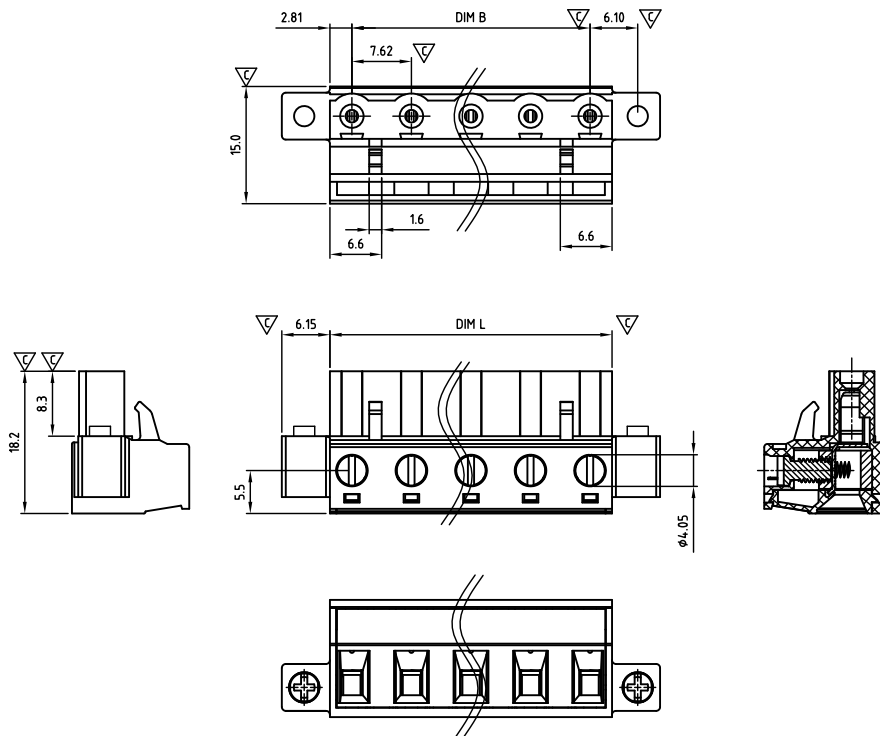
CAHAEV508 Series





CAMAFD762-SERIES

cULus E501953



Critical dimension: ∇

Dim.L=(P-1)x7.62+5.62

Dim.B=(P-1)x7.62

P=Number of poles (02-24)

	Dim B	Dim L
0-30mm	+/- 0,15	+/- 0,20
over 30-60mm	+/- 0,20	+/- 0,25
over 60-90mm	+/- 0,25	+/- 0,30
over 90mm	+/- 0,30	+/- 0,40

Tolerance	
x.	+/- 0,50
x.x	+/- 0,30
x.xx	+/- 0,10
x°	+/- 1°
ϕ	Units:mm

Technical data

Technical data in accordance with UL/cUL

	Use Group	B	C	D
Nominal voltage (V)	300	-	-	300
Nominal current (A)	15	-	-	10
Connection capacity(AWG)	30-12	-	-	30-12

Technical data in accordance with IEC

Rated insulation voltage at pollution degree 2 (V)	630		
Rated current/conductor cross-section (A/mm ²)	12 / 2.5		
Solid/stranded(mm ²)	0.2-2.5 / 0.2-2.5		
Surge voltage category/pollution degree	III / 3	III / 2	II / 2
Rated insulation voltage(V)	400	630	1000
Rated surge voltage(kV)	6	6	6

General data

Stripping length(mm)	7-8
Screw thread	M3
Tightening torque(Nm)	0.5-0.6
Insulation Withstanding Voltage	AC1600V / 1min
Insulation Resistance	1000M Ω or more at DC500V
Using temperature range	-40°C-115°C

Materials

Insulation material group	PA 66 I UL94 -V0
Wire guard	PhBz, Tin plated
Cage	Brass, Ni plated
Screw	Steel, Zn plated

Packing information

Poles	Order Number	SPQ
2	CAMAFD76202x000	21
3	CAMAFD76203x000	13
4	CAMAFD76204x000	12
5	CAMAFD76205x000	10
6	CAMAFD76206x000	9
7	CAMAFD76207x000	7
8	CAMAFD76208x000	6
9	CAMAFD76209x000	60
10	CAMAFD76210x000	45
11	CAMAFD76211x000	45
12	CAMAFD76212x000	45
13	CAMAFD76213x000	39
14	CAMAFD76214x000	36
15	CAMAFD76215x000	33
16	CAMAFD76216x000	33

Ordering code

CAMA FD 762 xx x xxx
① ② ③ ④ ⑤ ⑥

- ① Type
- ② Product style
- ③ Pitch
- ④ Poles (02-24)
- ⑤ Color
- ⑥ Standard 000 or Custom XXX

Color

0 Black	5 Green
1 Brown	6 Blue
2 Red	G Pale grey
3 Orange	8 Dark grey
4 Yellow	9 White

Key Commercial data

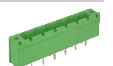
Custom tariff number	8536901000
Country of origin	CN (China)

Mating with headers

CAHACH762 Series



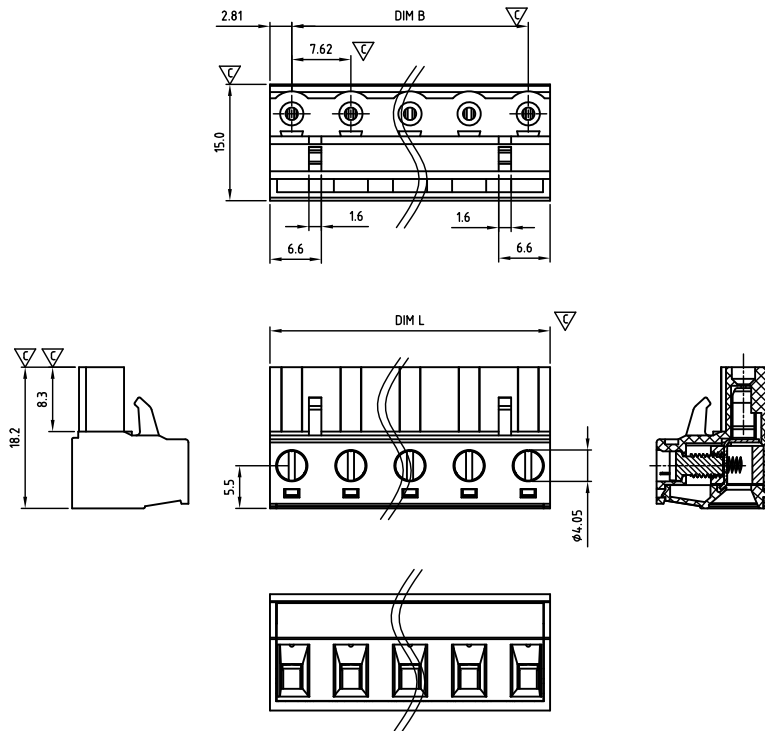
CAHACV762 Series





CAMASD762-SERIES

cULus E501953



Critical dimension: ∇

Dim.L=(P-1)x7.62+5.62

Dim.B=(P-1)x7.62

P=Number of poles (02-24)

	Dim B	Dim L
0-30mm	+/- 0,15	+/- 0,20
over 30-60mm	+/- 0,20	+/- 0,25
over 60-90mm	+/- 0,25	+/- 0,30
over 90mm	+/- 0,30	+/- 0,40

Tolerance	
x.	+/- 0,50
x.x	+/- 0,30
x.xx	+/- 0,10
x°	+/-1°
\varnothing	Units:mm

Technical data

Technical data in accordance with UL/CUL

	Use Group	B	C	D
Nominal voltage (V)	300	-	300	
Nominal current (A)	15	-	10	
Connection capacity(AWG)	30-12	-	30-12	

Technical data in accordance with IEC

Rated insulation voltage at pollution degree 2 (V)	630
Rated current/conductor cross-section (A/mm ²)	12 / 2.5
Solid/stranded(mm ²)	0.2-2.5 / 0.2-2.5
Surge voltage category/pollution degree	III / 3 III / 2 II / 2
Rated insulation voltage(V)	400 630 1000
Rated surge voltage(kV)	6 6 6

General data

Stripping length(mm)	7-8
Screw thread	M3
Tightening torque(Nm)	0.5-0.6
Insulation Withstanding Voltage	AC1600V / 1min
Insulation Resistance	1000M Ω or more at DC500V
Using temperature range	-40°C-115°C

Materials

Insulation material group	PA 66 I UL94 -V0
Wire guard	PhBz, Tin plated
Cage	Brass, Ni plated
Screw	Steel, Zn plated

Packing information

Poles	Order Number	SPQ
2	CAMASD76202x000	210
3	CAMASD76203x000	130
4	CAMASD76204x000	120
5	CAMASD76205x000	105
6	CAMASD76206x000	90
7	CAMASD76207x000	70
8	CAMASD76208x000	60
9	CAMASD76209x000	60
10	CAMASD76210x000	45
11	CAMASD76211x000	45
12	CAMASD76212x000	45
13	CAMASD76213x000	39
14	CAMASD76214x000	36
15	CAMASD76215x000	33
16	CAMASD76216x000	33

Ordering code

CAMA SD 762 xx x xxx
① ② ③ ④ ⑤ ⑥

- ① Type
- ② Product style
- ③ Pitch
- ④ Poles (02-24)
- ⑤ Color
- ⑥ Standard 000 or Custom XXX

Color

0 Black	5 Green
1 Brown	6 Blue
2 Red	G Pale grey
3 Orange	8 Dark grey
4 Yellow	9 White

Key Commercial data

Custom tariff number	8536901000
Country of origin	CN (China)

Mating with headers

CAHA AV762 Series



CAHA AV762 Series



CAHABH762 Series



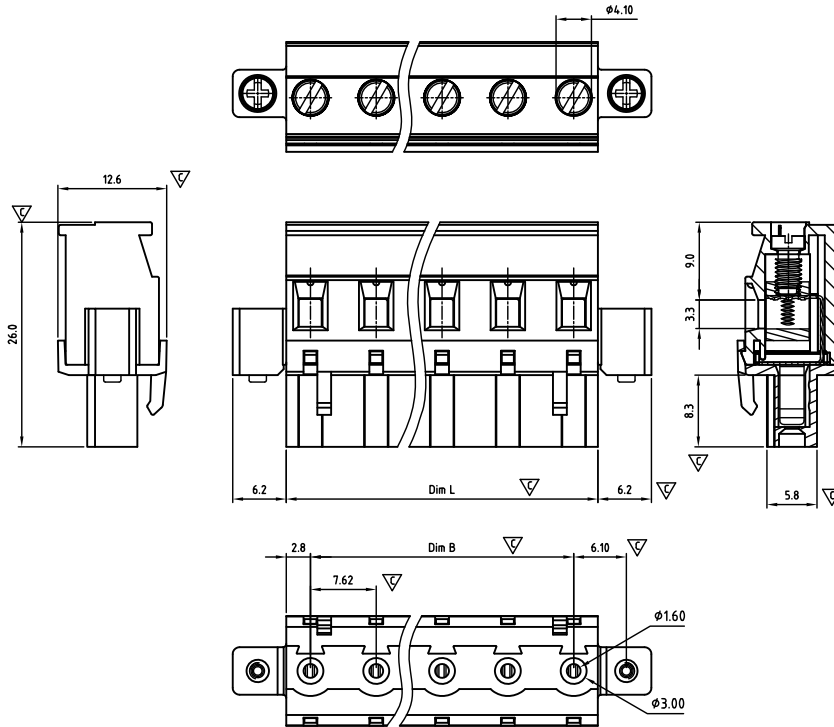
CAHABH762 Series





CAMBFR762-SERIES

cULus E501953



Critical dimension: ∇

Dim.L=Px3.5		
Dim.B=(P-1)x3.5		
P=Number of poles (02-24)		
	Dim B	Dim L
0-30mm	+/- 0,15	+/- 0,20
over 30-60mm	+/- 0,20	+/- 0,25
over 60-90mm	+/- 0,25	+/- 0,30
over 90mm	+/- 0,30	+/- 0,40

Tolerance	
x.	+/- 0,50
x.x	+/- 0,30
x.xx	+/- 0,10
x°	+/- 1°
ϕ	Units:mm

Technical data

Technical data in accordance with UL/cUL

	Use Group	B	C	D
Nominal voltage (V)		300	-	300
Nominal current (A)		15	-	10
Connection capacity(AWG)		30-12	-	30-12

Technical data in accordance with IEC

Rated insulation voltage at pollution degree 2 (V)	630		
Rated current/conductor cross-section (A/mm ²)	12 / 2.5		
Solid/stranded(mm ²)	0.2-2.5 / 0.2-2.5		
Surge voltage category/pollution degree	III / 3	III / 2	II / 2
Rated insulation voltage(V)	400	630	1000
Rated surge voltage(kV)	6	6	6

General data

Stripping length(mm)	6-7
Screw thread	M3
Tightening torque(Nm)	0.5-0.6
Insulation Withstanding Voltage	AC1600V / 1min
Insulation Resistance	1000M Ω or more at DC500V
Using temperature range	-40°C-115°C

Materials

Insulation material group	PA 66 I UL94 -V0
Wire guard	PhBz, Tin plated
Cage	Brass, Ni plated
Screw	Steel, Zn plated

Packing information

Poles	Order Number	SPQ
2	CAMBFR76202x000	150
3	CAMBFR76203x000	110
4	CAMBFR76204x000	80
5	CAMBFR76205x000	70
6	CAMBFR76206x000	55
7	CAMBFR76207x000	50
8	CAMBFR76208x000	40
9	CAMBFR76209x000	35
10	CAMBFR76210x000	35
11	CAMBFR76211x000	35
12	CAMBFR76212x000	25
13	CAMBFR76213x000	25
14	CAMBFR76214x000	25
15	CAMBFR76215x000	15
16	CAMBFR76216x000	15

Ordering code

CAMB FR 762 xx x xxx
① ② ③ ④ ⑤ ⑥

- ① Type
- ② Product style
- ③ Pitch
- ④ Poles (02-24)
- ⑤ Color
- ⑥ Standard 000 or Custom XXX

Color

0 Black	5 Green
1 Brown	6 Blue
2 Red	G Pale grey
3 Orange	8 Dark grey
4 Yellow	9 White

Key Commercial data

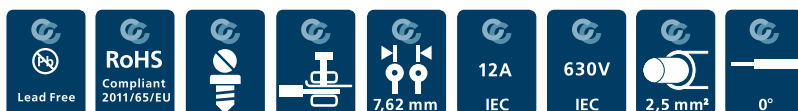
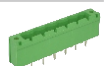
Custom tariff number	8536901000
Country of origin	CN (China)

Mating with headers

CAHACH762 Series



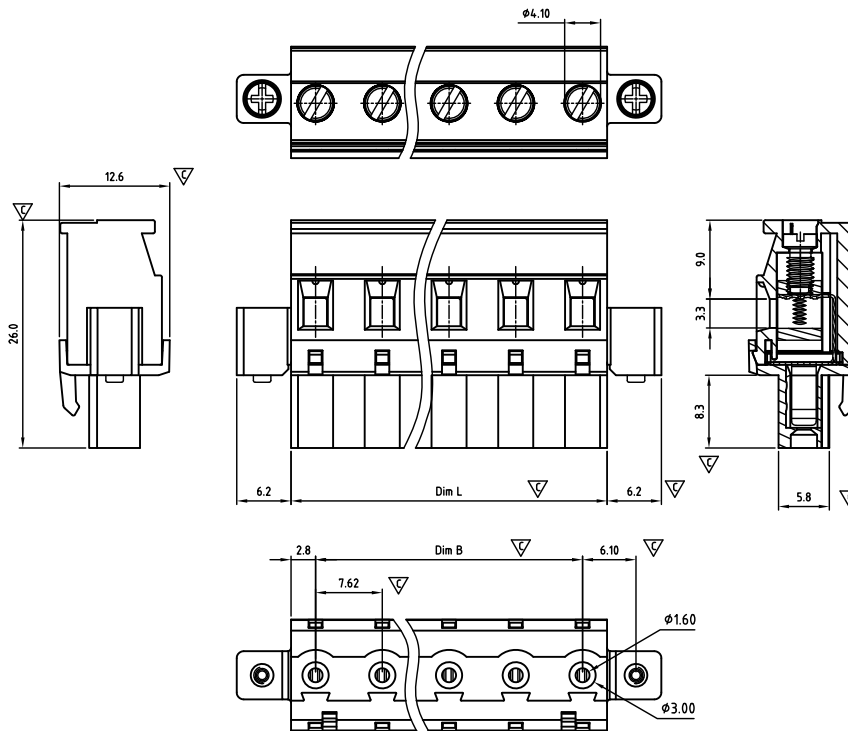
CAHACV762 Series





CAMBFW762-SERIES

cULus E501953



Critical dimension: ∇

Dim.L=Px3.5

Dim.B=(P-1)x3.5

P=Number of poles (02-24)

	Dim B	Dim L
0-30mm	+/- 0,15	+/- 0,20
over 30-60mm	+/- 0,20	+/- 0,25
over 60-90mm	+/- 0,25	+/- 0,30
over 90mm	+/- 0,30	+/- 0,40

Tolerance	
x.	+/- 0,50
x.x	+/- 0,30
x.xx	+/- 0,10
x°	+/- 1°
ϕ	Units:mm

Technical data

Technical data in accordance with UL/CUL

	Use Group	B	C	D
Nominal voltage (V)		300	-	300
Nominal current (A)		15	-	10
Connection capacity(AWG)		30-12	-	30-12

Technical data in accordance with IEC

Rated insulation voltage at pollution degree 2 (V)	630		
Rated current/conductor cross-section (A/mm ²)	12 / 2.5		
Solid/stranded(mm ²)	0.2-2.5 / 0.2-2.5		
Surge voltage category/pollution degree	III / 3	III / 2	II / 2
Rated insulation voltage(V)	400	630	1000
Rated surge voltage(kV)	6	6	6

General data

Stripping length(mm)	6-7
Screw thread	M3
Tightening torque(Nm)	0.5-0.6
Insulation Withstanding Voltage	AC1600V / 1min
Insulation Resistance	1000M Ω or more at DC500V
Using temperature range	-40°C-115°C

Materials

Insulation material group	PA 66 I UL94 -V0
Wire guard	PhBz, Tin plated
Cage	Brass, Ni plated
Screw	Steel, Zn plated

Packing information

Poles	Order Number	SPQ
2	CAMBFW76202x000	150
3	CAMBFW76203x000	110
4	CAMBFW76204x000	80
5	CAMBFW76205x000	70
6	CAMBFW76206x000	55
7	CAMBFW76207x000	50
8	CAMBFW76208x000	40
9	CAMBFW76209x000	35
10	CAMBFW76210x000	35
11	CAMBFW76211x000	35
12	CAMBFW76212x000	25
13	CAMBFW76213x000	25
14	CAMBFW76214x000	25
15	CAMBFW76215x000	15
16	CAMBFW76216x000	15

Ordering code

CAMB FW 762 xx x xxx

① ② ③ ④ ⑤ ⑥

- ① Type
- ② Product style
- ③ Pitch
- ④ Poles (02-24)
- ⑤ Color
- ⑥ Standard 000 or Custom XXX

Color

0 Black	5 Green
1 Brown	6 Blue
2 Red	G Pale grey
3 Orange	8 Dark grey
4 Yellow	9 White

Key Commercial data

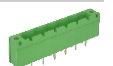
Custom tariff number	8536901000
Country of origin	CN (China)

Mating with headers

CAHACH762 Series



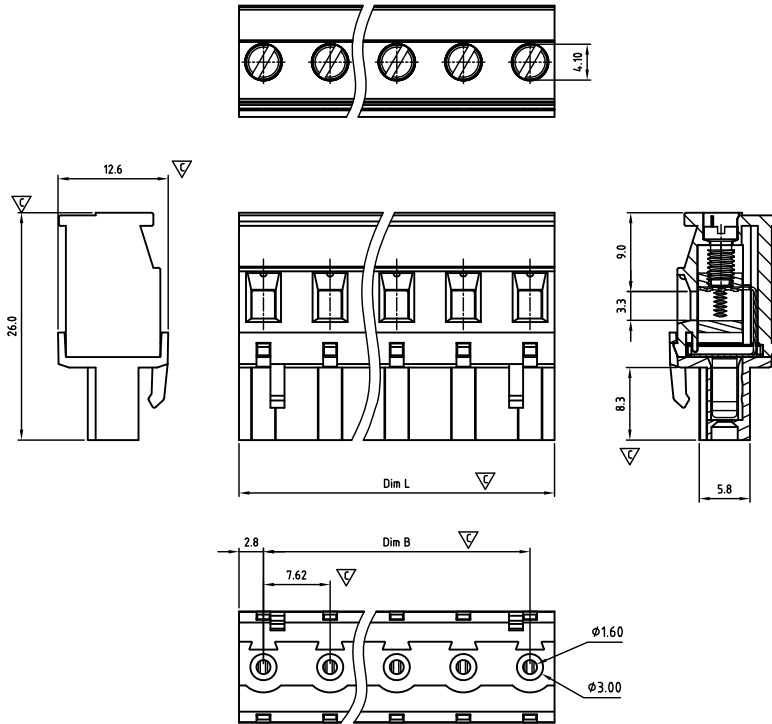
CAHACV762 Series





CAMBSR762-SERIES

cULus E501953



Critical dimension: ∇

Dim.L=Px3.5		
Dim.B=(P-1)x3.5		
P=Number of poles (02-24)		
	Dim B	Dim L
0-30mm	+/- 0,15	+/- 0,20
over 30-60mm	+/- 0,20	+/- 0,25
over 60-90mm	+/- 0,25	+/- 0,30
over 90mm	+/- 0,30	+/- 0,40

Tolerance	
x.	+/- 0,50
x.x	+/- 0,30
x.xx	+/- 0,10
x°	+/- 1°
\varnothing	Units:mm

Technical data

Technical data in accordance with UL/CUL

	Use Group	B	C	D
Nominal voltage (V)		300	-	300
Nominal current (A)		15	-	10
Connection capacity(AWG)		30-12	-	30-12

Technical data in accordance with IEC

Rated insulation voltage at pollution degree 2 (V)	630		
Rated current/conductor cross-section (A/mm ²)	12 / 2.5		
Solid/stranded(mm ²)	0.2-2.5 / 0.2-2.5		
Surge voltage category/pollution degree	III / 3	III / 2	II / 2
Rated insulation voltage(V)	400	630	1000
Rated surge voltage(kV)	6	6	6

General data

Stripping length(mm)	6-7
Screw thread	M3
Tightening torque(Nm)	0.5-0.6
Insulation Withstanding Voltage	AC1600V / 1min
Insulation Resistance	1000M Ω or more at DC500V
Using temperature range	-40°C-115°C

Materials

Insulation material group	PA 66 I UL94 -V0
Wire guard	PhBz, Tin plated
Cage	Brass, Ni plated
Screw	Steel, Zn plated

Packing information

Poles	Order Number	SPQ
2	CAMBSR76202x000	200
3	CAMBSR76203x000	130
4	CAMBSR76204x000	110
5	CAMBSR76205x000	80
6	CAMBSR76206x000	70
7	CAMBSR76207x000	55
8	CAMBSR76208x000	55
9	CAMBSR76209x000	50
10	CAMBSR76210x000	40
11	CAMBSR76211x000	35
12	CAMBSR76212x000	35
13	CAMBSR76213x000	30
14	CAMBSR76214x000	25
15	CAMBSR76215x000	25
16	CAMBSR76216x000	25

Ordering code

CAMB SR 762 xx x xxx
① ② ③ ④ ⑤ ⑥

- ① Type
- ② Product style
- ③ Pitch
- ④ Poles (02-24)
- ⑤ Color
- ⑥ Standard 000 or Custom XXX

Color

0 Black	5 Green
1 Brown	6 Blue
2 Red	G Pale grey
3 Orange	8 Dark grey
4 Yellow	9 White

Key Commercial data

Custom tariff number	8536901000
Country of origin	CN (China)

Mating with headers

CAHAHV762 Series



CAHAHV762 Series



CAHABH762 Series



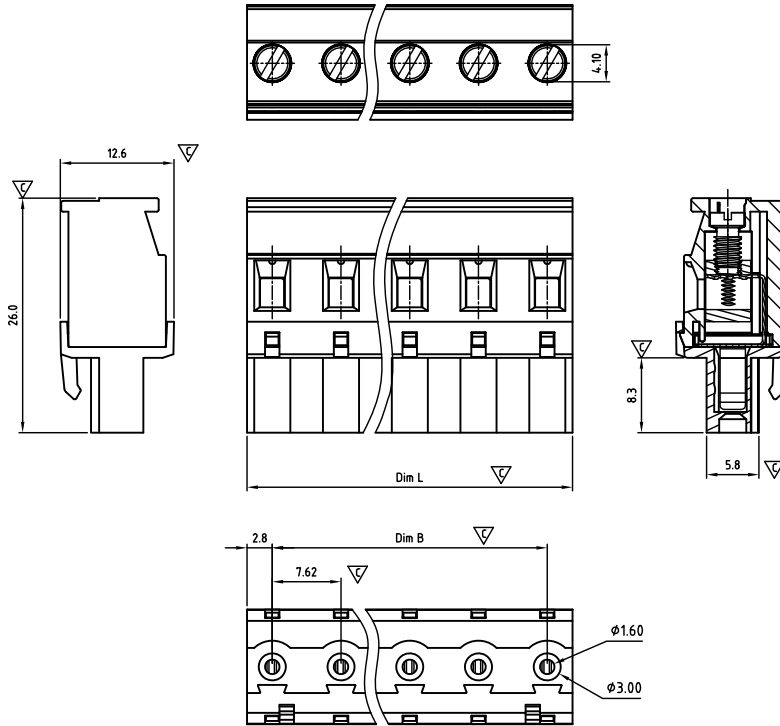
CAHABH762 Series





CAMBSW762-SERIES

cULus E501953



Critical dimension: ∇

Dim.L=Px3.5		
Dim.B=(P-1)x3.5		
P=Number of poles (02-24)		
	Dim B	Dim L
0-30mm	+/- 0,15	+/- 0,20
over 30-60mm	+/- 0,20	+/- 0,25
over 60-90mm	+/- 0,25	+/- 0,30
over 90mm	+/- 0,30	+/- 0,40

Tolerance	
x.	+/- 0,50
x.x	+/- 0,30
x.xx	+/- 0,10
x°	+/- 1°
ϕ	Units:mm

Technical data

Technical data in accordance with UL/CUL

	Use Group	B	C	D
Nominal voltage (V)		300	-	300
Nominal current (A)		15	-	10
Connection capacity(AWG)		30-12	-	30-12

Technical data in accordance with IEC

Rated insulation voltage at pollution degree 2 (V)		630		
Rated current/conductor cross-section (A/mm ²)		12 / 2.5		
Solid/stranded(mm ²)		0.2-2.5 / 0.2-2.5		
Surge voltage category/pollution degree	III / 3	III / 2	II / 2	
Rated insulation voltage(V)	400	630	1000	
Rated surge voltage(kV)	6	6	6	

General data

Stripping length(mm)		6-7
Screw thread		M3
Tightening torque(Nm)		0.5-0.6
Insulation Withstanding Voltage		AC1600V / 1min
Insulation Resistance		1000M Ω or more at DC500V
Using temperature range		-40°C-115°C

Materials

Insulation material group		PA 66 I UL94 -V0
Wire guard		PhBz, Tin plated
Cage		Brass, Ni plated
Screw		Steel, Zn plated

Packing information

Poles	Order Number	SPQ
2	CAMBSW76202x000	200
3	CAMBSW76203x000	130
4	CAMBSW76204x000	110
5	CAMBSW76205x000	80
6	CAMBSW76206x000	70
7	CAMBSW76207x000	55
8	CAMBSW76208x000	55
9	CAMBSW76209x000	50
10	CAMBSW76210x000	40
11	CAMBSW76211x000	35
12	CAMBSW76212x000	35
13	CAMBSW76213x000	30
14	CAMBSW76214x000	25
15	CAMBSW76215x000	25
16	CAMBSW76216x000	25

Ordering code

CAMB SW 762 xx x xxx

① ② ③ ④ ⑤ ⑥

- ① Type
- ② Product style
- ③ Pitch
- ④ Poles (02-24)
- ⑤ Color
- ⑥ Standard 000 or Custom XXX

Color

0 Black	5 Green
1 Brown	6 Blue
2 Red	G Pale grey
3 Orange	8 Dark grey
4 Yellow	9 White

Key Commercial data

Custom tariff number	8536901100
Country of origin	CN (China)

Mating with headers

CAHAHV762 Series



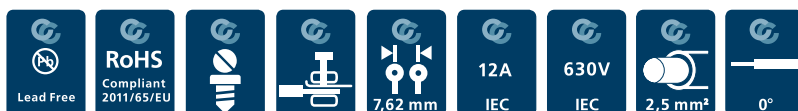
CAHAHV762 Series



CAHABH762 Series



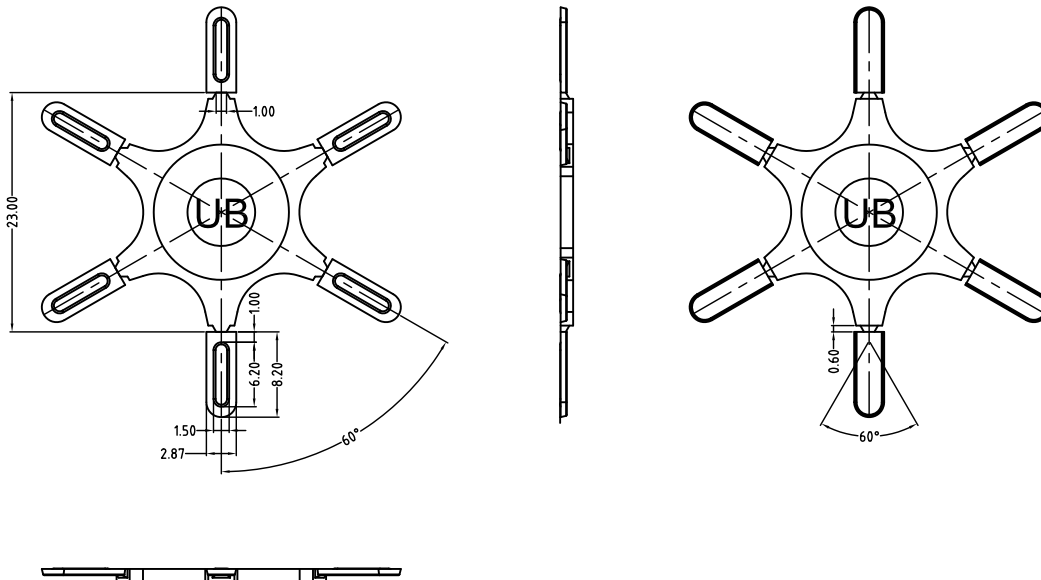
CAHABH762 Series





Accessories FOR PLUGS

CAUB-SERIES CODING KEY (Suitable for pitch 5,00/5,08/7,62)



Tolerance	
x.	+/- 0,50
x.x	+/- 0,30
x.xx	+/- 0,10
x°	+/- 1°

Units:mm

Pitch 5,00/5,08/7,62mm

Technical data

Technical data in accordance with UL/CUL

Use Group B C D

Nominal voltage (V)

Nominal current (A)

Connection capacity(AWG)

Technical data in accordance with IEC and VDE

Rated insulation voltage at pollution degree 2 (V)

Rated current/conductor cross-section (A/mm²)

Solid/stranded(mm²)

Surge voltage category/pollution degree

Rated insulation voltage(V)

Rated surge voltage(kV)

General data

Flange nut thread

Flange nut tightening torque(Nm)

Insulation Withstanding Voltage

Insulation Resistance 1000MΩ or more at DC500V

Using temperature range -40°C-115°C

Soldering temperature

Materials

Insulation material group PA 66 I UL94 -V0

PIN

Flange nut

Borehole diameter/pin dimensions(mm)

Packing information

Poles Order Number SPQ

- CAUB00000002000 1100

Ordering code

CAUB 00 000 00 x xxx

① ② ③ ④ ⑤ ⑥

- ① Type
- ② Product style
- ③ Pitch
- ④ Poles (00)
- ⑤ Color
- ⑥ Standard 000 or Custom XXX

Color

2 Red

Key Commercial data

Custom tariff number 8536901000

Country of origin CN (China)

Mating with headers

CAMAFT508 Series



CAMAFD508 Series



CAMBFR508 Series



CAMBFW508 Series



CAPAFD508 Series















CAPAFD508XXX100 Series



TERMINAL BLOCKS

COLOR SIMILAR TO RAL XXX

COLOR

 <p>BLACK Similar to RAL9005</p>	 <p>BROWN Similar to RAL8017</p>	 <p>RED Similar to RAL3001</p>
 <p>ORANGE Similar to RAL2011</p>	 <p>GREEN Similar to RAL6018/K</p>	 <p>LIGHT GREEN Similar to RAL6018/U</p>
 <p>BLUE Similar to RAL5015</p>	 <p>LIGHT GREY Similar to RAL7035</p>	 <p>DARK GREY Similar to RAL7004</p>
 <p>YELLOW Similar to RAL1018</p>	 <p>WHITE Similar to RAL1102</p>	 <p>YELLOW-GREEN Applied to earth terminal</p>

COLORS AND MARKING

We have many sets of high precision injecting machine. All the machines can process a variety of high precision injecting products, in order to meet all kinds of components and customer's needs. Also, our factory is using concentrated dry feeding system and automatic suction machine, so that the machines can supply material automatically. We only need one person to run this production line, which is the best part of

our precision injecting machines. Furthermore, we do make special features in the plastic housing to prevent mismatching, increase creeping distance or prevent PCB parts to have wrong orientation. In addition to this we do special marking and even special color if needed.

Terminal blocks and headers can be marked by different methods. We offer our customers two kinds

of printing: ink-jet printing, the cost-effective, fast and flexible solution to print letters or individual characters. The tampon printing is also available. The Tampon print guarantees the best quality and definition. A variety of letters and characters are possible, even on corners and round surfaces. Both types of printing are wipe-proof; the tampon-printing method is also resistant to isopropyl alcohol.

AUTOMATED ASSEMBLY

According to the different characteristics of products, we have divided our assembly production line into two:

automated assembly line and manual assembly line. Our professional engineers not only have the ability to design the labor power into the automated assembly system, but also are able to develop and improve the automated assembly machines, as well as defective product detecting system.

Hence we can ensure the quality of product also improve the productivity. Recent years, in order to reduce the production costs and improve market competitiveness, CABCON has reduced the cost in manual production and focused

on the development of automation equipment, to ensure product quality and production capacity. Production efficiency will lead the delivery time become more accurate.

INJECTION MOLDING

Right now CABCON has many sets of high precision injecting machine. All the machines are able to process a variety of high precision injecting products, in order to meet all kinds of components and OEM / ODM customer's needs. Also our factory is using concentrated dry feeding system and automatic suction machine, so that the machines can supply material automatically. CABCON only needs one person to run this production line, which is the best part of our precision injecting machines.

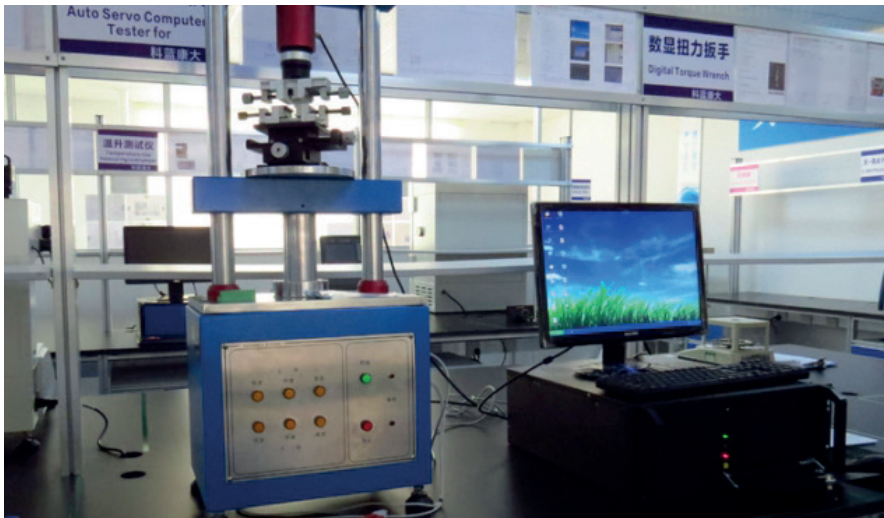
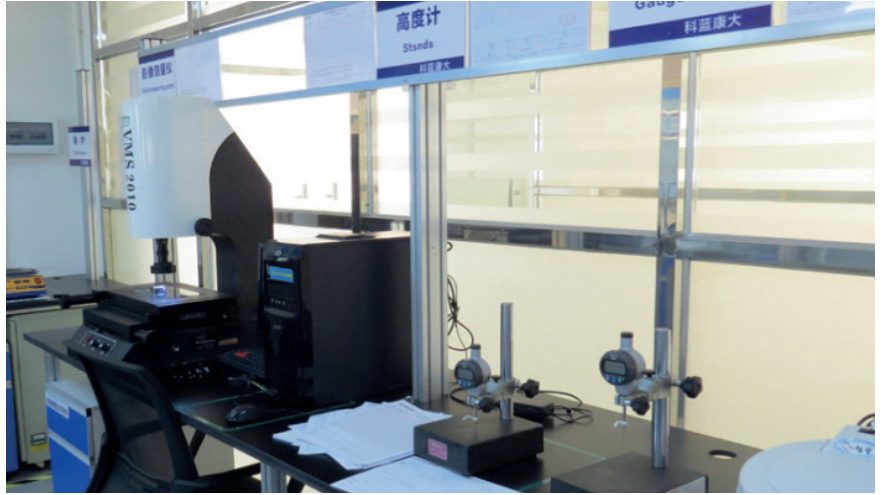
SCREW AND METAL CAGE

CABCON has all kinds of precision lathes, drilling, tapping machines. Also our production line has a number of advanced and efficient CCD automatic detecting systems.



TESTING LABORATORY

ISO/IEC17025 standard is applied in CABCON's laboratory. Our lab has included the testing equipments of electrical, environmental, mechanical and vibration. All equipments are comply with UL1059 UL486E IEC60947 IEC60998 IEC61984 GB13140 to monitor the production process, hence ensure the quality and stability of CABCON's product.



COMPANY ABILITY



CREATING VALUE



Cabcon A/S · Stamholmen 193A · DK-2650 Hvidovre · Denmark · Tel. +45 38 76 03 15 · www.cabcon.dk

Cabcon A/S · Trollåsveien 4 · 1414 Trollåsen · Norway · Tel. +47 93 200 204 · www.cabcon.dk

Cabcon A/S · Stora Ävägen 21 · 436 34 Askim · Sweden · Tel. +46 735 01 33 24 · www.cabcon.dk

Cabcon Asia · Unit 8, 28/F, Cable TV Tower · Hoi Shing Road, Tsuen Wan · Hong Kong