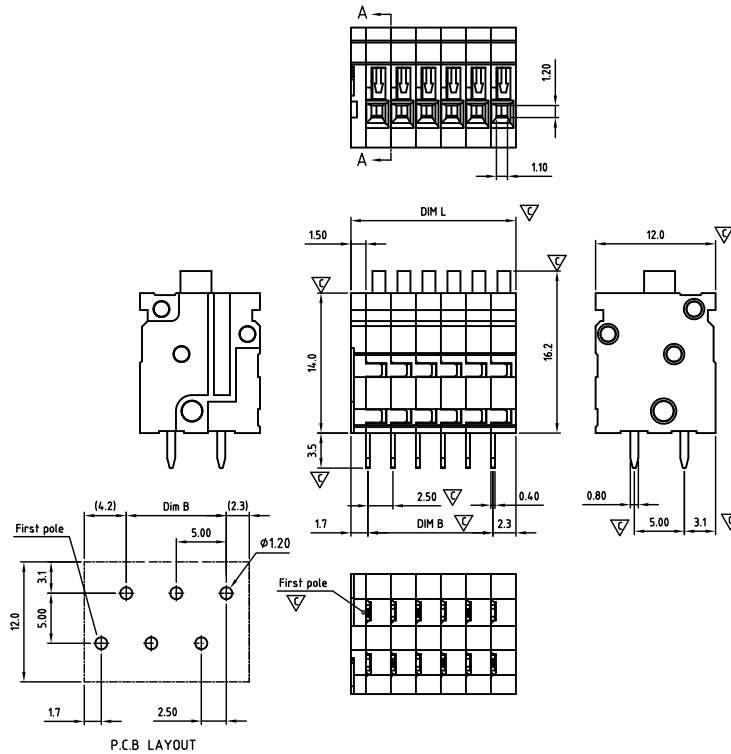




**CASDVZ250-SERIES**

**cAus** E501953



Critical dimension:  $\nabla$

Dim.L=Px2.5+1.5		
Dim.B=(P-1)x2.5		
P=Number of poles (01-24)		
	Dim B	Dim L
0-30mm	+/- 0,15	+/- 0,20
over 30-60mm	+/- 0,20	+/- 0,25
over 60-90mm	+/- 0,25	+/- 0,30
over 90mm	+/- 0,30	+/- 0,40

Tolerance	
x.	+/- 0,50
x.x	+/- 0,30
x.xx	+/- 0,10
x°	+/- 1°
	Units:mm

**Technical data**

Technical data in accordance with UL/CUL

	Use Group	B	C	D
Nominal voltage (V)	150	-	-	-
Nominal current (A)	6	-	-	-
Connection capacity(AWG)	26-18	-	-	-

Technical data in accordance with IEC

Rated insulation voltage at pollution degree 2 (V)	160		
Rated current/conductor cross-section (A/mm <sup>2</sup> )	4 / 0.5		
Solid/stranded(mm <sup>2</sup> )	0.14-0.5 / 0.14-0.5		
Surge voltage category/pollution degree	III / 3	III / 2	II / 2
Rated insulation voltage(V)	63	160	320
Rated surge voltage(kV)	2.5	2.5	2.5

General data

Stripping length(mm)	10-11
Borehole diameter/pin dimensions(mm)	1.2/0.4*0.8

Materials

Insulation material group	PA 66 I
Inflammability class acc. To UI94	V0
Contact	Brass, Sn plated
Wire guard	Stainless steel

**Packing information**

Poles	Order Number	SPQ
2	CASDVZ25002x000	500
3	CASDVZ25003x000	420
4	CASDVZ25004x000	360
5	CASDVZ25005x000	320
6	CASDVZ25006x000	285
7	CASDVZ25007x000	240
8	CASDVZ25008x000	215
9	CASDVZ25009x000	190
10	CASDVZ25010x000	165
11	CASDVZ25011x000	165
12	CASDVZ25012x000	140
13	CASDVZ25013x000	120
14	CASDVZ25014x000	120
15	CASDVZ25015x000	120
16	CASDVZ25016x000	95
17	CASDVZ25017x000	95
18	CASDVZ25018x000	95
19	CASDVZ25019x000	95
20	CASDVZ25020x000	70
21	CASDVZ25021x000	70
22	CASDVZ25022x000	70
23	CASDVZ25023x000	70
24	CASDVZ25024x000	70

**Ordering code**

**CASDVZ 250 xx x xxx**  
① ② ③ ④ ⑤ ⑥

- ① Type
- ② Product style
- ③ Pitch
- ④ Poles (01-24)
- ⑤ Color
- ⑥ Standard 000 or Custom XXX

Color

0 Black	5 Green
1 Brown	6 Blue
2 Red	G Pale grey
3 Orange	8 Dark grey
4 Yellow	9 White

**Key Commercial data**

Custom tariff number	8536901000
Country of origin	CN (China)

