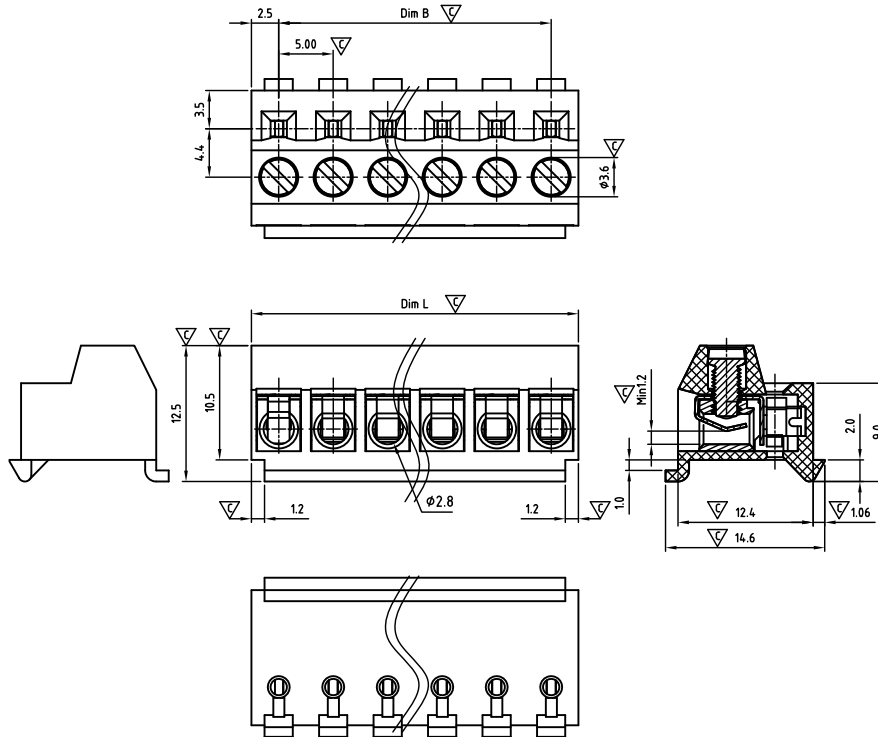




**CANFST500-SERIES**

**cULus** E501953



Critical dimension:  $\nabla$

Dim.L=Px5.0

Dim.B=(P-1)x5.0

P=Number of poles (02-24)

	Dim B	Dim L
0-30mm	+/- 0,15	+/- 0,20
over 30-60mm	+/- 0,20	+/- 0,25
over 60-90mm	+/- 0,25	+/- 0,30
over 90mm	+/- 0,30	+/- 0,40

Tolerance	
x.	+/- 0,50
x.x	+/- 0,30
x.xx	+/- 0,10
x°	+/- 1°

Units:mm

**Technical data**

Technical data in accordance with UL/CUL

	Use Group	B	C	D
Nominal voltage (V)	300	-	-	-
Nominal current (A)	10	-	-	-
Connection capacity(AWG)	26-14	-	-	-

Technical data in accordance with IEC

Rated insulation voltage at pollution degree 2 (V)	320		
Rated current/conductor cross-section (A/mm <sup>2</sup> )	10 / 2.5		
Solid/stranded(mm <sup>2</sup> )	0.2-2.5 / 0.2-2.5		
Surge voltage category/pollution degree	III / 3	III / 2	II / 2
Rated insulation voltage(V)	250	320	630
Rated surge voltage(kV)	4	4	4

General data

Stripping length(mm)	6-7
Screw thread	M2.6
Tightening torque(Nm)	0.4-0.5
Insulation Withstanding Voltage	AC 1600 / 1min
Insulation Resistance	1000M $\Omega$ or more at DC500V
Using temperature range	-40°C-115°C

Materials

Insulation material group	PA 66 I UL94 -V0
Wire guard	PhBz, Tin plated
Cage	Brass, Ni plated
Screw	Steel, Zn plated

**Packing information**

Poles	Order Number	SPQ
2	CANFST50002x000	600
3	CANFST50003x000	400
4	CANFST50004x000	300
5	CANFST50005x000	240
6	CANFST50006x000	205
7	CANFST50007x000	175
8	CANFST50008x000	155
9	CANFST50009x000	135
10	CANFST50010x000	120
11	CANFST50011x000	100
12	CANFST50012x000	100
13	CANFST50013x000	85
14	CANFST50014x000	75
15	CANFST50015x000	75
16	CANFST50016x000	65
17	CANFST50017x000	65
18	CANFST50018x000	65
19	CANFST50019x000	60
20	CANFST50020x000	60
21	CANFST50021x000	50
22	CANFST50022x000	50
23	CANFST50023x000	50
24	CANFST50024x000	50

**Ordering code**

**CANFST 500 xx x xxx**

① ② ③ ④ ⑤ ⑥

- ① Type
- ② Product style
- ③ Pitch
- ④ Poles (02-24)
- ⑤ Color
- ⑥ Standard 000 or Custom XXX

Color

0 Black	5 Green
1 Brown	6 Blue
2 Red	G Pale grey
3 Orange	8 Dark grey
4 Yellow	9 White

**Key Commercial data**

Custom tariff number	8536901000
Country of origin	CN (China)

**Mating with headers**

CAGBVA500 Series



CAWA03500 Series

