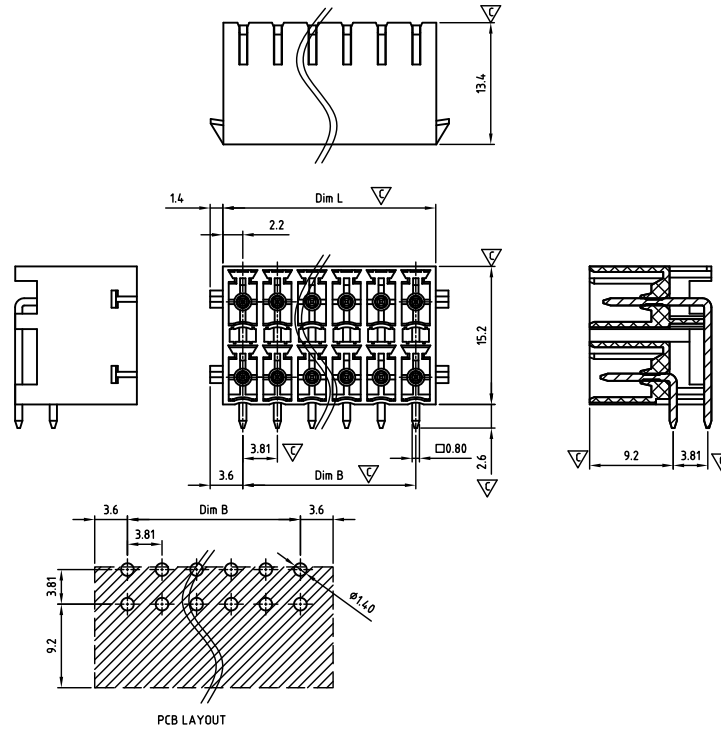


CAHFDH381-SERIES

cULus E501953



Critical dimension: ∇

Dim.L=(1/2P-1)x3.81+5.0

Dim.B=(1/2P-1)x3.81

P=Number of poles (04-48)

	Dim B	Dim L
0-30mm	+/- 0,15	+/- 0,20
over 30-60mm	+/- 0,20	+/- 0,25
over 60-90mm	+/- 0,25	+/- 0,30
over 90mm	+/- 0,30	+/- 0,40

Tolerance	
x.	+/- 0,50
x.x	+/- 0,30
x.xx	+/- 0,10
x°	+/- 1°
Units:mm	

Technical data

Technical data in accordance with UL/CUL

	Use Group	B	C	D
Nominal voltage (V)	150	-	-	150
Nominal current (A)	8	-	-	8
Connection capacity(AWG)	-	-	-	-

Technical data in accordance with IEC

Rated insulation voltage at pollution degree 2 (V)	160
Rated current/conductor cross-section (A/mm ²)	8 / -
Solid/stranded(mm ²)	-
Surge voltage category/pollution degree	III / 3 III / 2 II / 2
Rated insulation voltage(V)	160 160 250
Rated surge voltage(kV)	2.5 2.5 2.5

General data

Flange nut thread	-
Flange nut tightening torque(Nm)	-
Insulation Withstanding Voltage	AC 1600 / 1min
Insulation Resistance	1000M Ω or more at DC500V
Using temperature range	-40°C-115°C
Soldering temperature	250 \pm 5°C/5s

Materials

Insulation material group	PA 66 I UL94 -V0
PIN	Copper, Tin plated
Flange nut	-
Borehole diameter/pin dimensions(mm)	1.4/0.8*0.8

Packing information

Poles	Order Number	SPQ
2*2	CAHFDH38104x000	550
2*3	CAHFDH38106x000	400
2*4	CAHFDH38108x000	280
2*5	CAHFDH38110x000	280
2*6	CAHFDH38112x000	220
2*7	CAHFDH38114x000	195
2*8	CAHFDH38116x000	165
2*9	CAHFDH38118x000	140
2*10	CAHFDH38120x000	140
2*11	CAHFDH38122x000	110
2*12	CAHFDH38124x000	110
2*13	CAHFDH38126x000	110
2*14	CAHFDH38128x000	80
2*15	CAHFDH38130x000	80
2*16	CAHFDH38132x000	80
2*17	CAHFDH38134x000	80
2*18	CAHFDH38136x000	55
2*19	CAHFDH38138x000	55
2*20	CAHFDH38140x000	55
2*21	CAHFDH38142x000	55
2*22	CAHFDH38144x000	55
2*23	CAHFDH38146x000	55
2*24	CAHFDH38148x000	55

Ordering code

CAHF DH 381 xx x xxx
① ② ③ ④ ⑤ ⑥

- ① Type
- ② Product style
- ③ Pitch
- ④ Poles (04-48)
- ⑤ Color
- ⑥ Standard 000 or Custom XXX

Color

0 Black	5 Green
1 Brown	6 Blue
2 Red	G Pale grey
3 Orange	8 Dark grey
4 Yellow	9 White

Key Commercial data

Custom tariff number	8536901000
Country of origin	CN (China)

Mating with headers

CAPBLD381 Series

