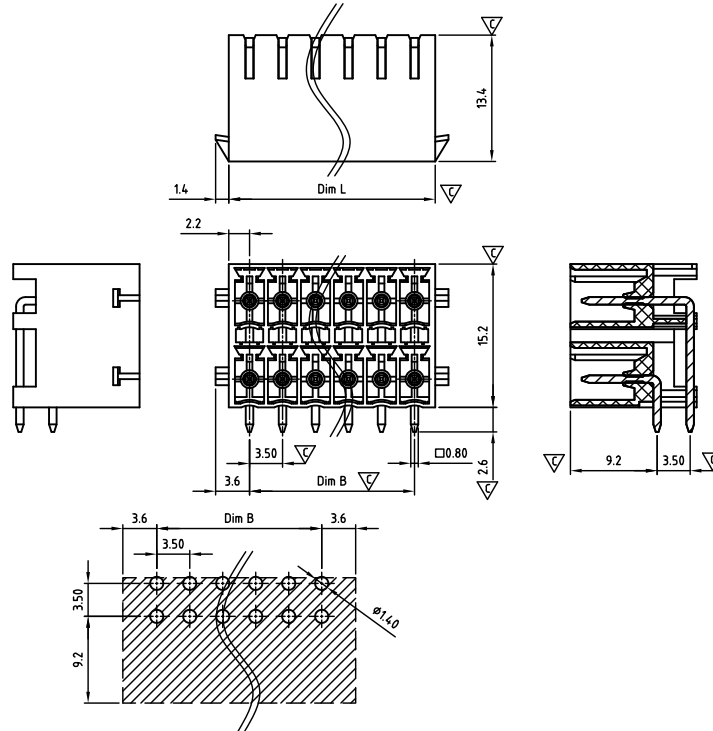


CAHFDH350-SERIES

cULus E501953



Critical dimension:  $\nabla$

Dim.L=(1/2P-1)x3.5+4.4		
Dim.B=(1/2P-1)x3.5		
P=Number of poles (04-48)		
	Dim B	Dim L
0-30mm	+/- 0,15	+/- 0,20
over 30-60mm	+/- 0,20	+/- 0,25
over 60-90mm	+/- 0,25	+/- 0,30
over 90mm	+/- 0,30	+/- 0,40

Tolerance	
x.	+/- 0,50
x.x	+/- 0,30
x.xx	+/- 0,10
x°	+/- 1°
$\varnothing$	Units:mm

Technical data

Technical data in accordance with UL/CUL

	Use Group	B	C	D
Nominal voltage (V)	150	-	150	
Nominal current (A)	8	-	8	
Connection capacity(AWG)	-	-	-	

Technical data in accordance with IEC

Rated insulation voltage at pollution degree 2 (V)	160		
Rated current/conductor cross-section (A/mm <sup>2</sup> )	8 / -		
Solid/stranded(mm <sup>2</sup> )	-		
Surge voltage category/pollution degree	III / 3	III / 2	II / 2
Rated insulation voltage(V)	160	160	250
Rated surge voltage(kV)	2.5	2.5	2.5

General data

Flange nut thread	-
Flange nut tightening torque(Nm)	-
Insulation Withstanding Voltage	AC 1600 / 1min
Insulation Resistance	1000M $\Omega$ or more at DC500V
Using temperature range	-40°C-115°C
Soldering temperature	250 $\pm$ 5°C/5s

Materials

Insulation material group	PA 66 I UL94 -V0
PIN	Copper, Tin plated
Flange nut	-
Borehole diameter/pin dimensions(mm)	1.4/0.8*0.8

Packing information

Poles	Order Number	SPQ
2*2	CAHFDH35004x000	550
2*3	CAHFDH35006x000	400
2*4	CAHFDH35008x000	280
2*5	CAHFDH35010x000	280
2*6	CAHFDH35012x000	220
2*7	CAHFDH35014x000	195
2*8	CAHFDH35016x000	165
2*9	CAHFDH35018x000	140
2*10	CAHFDH35020x000	140
2*11	CAHFDH35022x000	110
2*12	CAHFDH35024x000	110
2*13	CAHFDH35026x000	110
2*14	CAHFDH35028x000	80
2*15	CAHFDH35030x000	80
2*16	CAHFDH35032x000	80
2*17	CAHFDH35034x000	80
2*18	CAHFDH35036x000	55
2*19	CAHFDH35038x000	55
2*20	CAHFDH35040x000	55
2*21	CAHFDH35042x000	55
2*22	CAHFDH35044x000	55
2*23	CAHFDH35046x000	55
2*24	CAHFDH35048x000	55

Ordering code

CAHF DH 350 xx x xxx  
① ② ③ ④ ⑤ ⑥

- ① Type
- ② Product style
- ③ Pitch
- ④ Poles (04-48)
- ⑤ Color
- ⑥ Standard 000 or Custom XXX

Color

0 Black	5 Green
1 Brown	6 Blue
2 Red	G Pale grey
3 Orange	8 Dark grey
4 Yellow	9 White

Key Commercial data

Custom tariff number	8536901000
Country of origin	CN (China)

Mating with headers

CAPBLD350 Series



CAPBLD350xxxD00 Series

