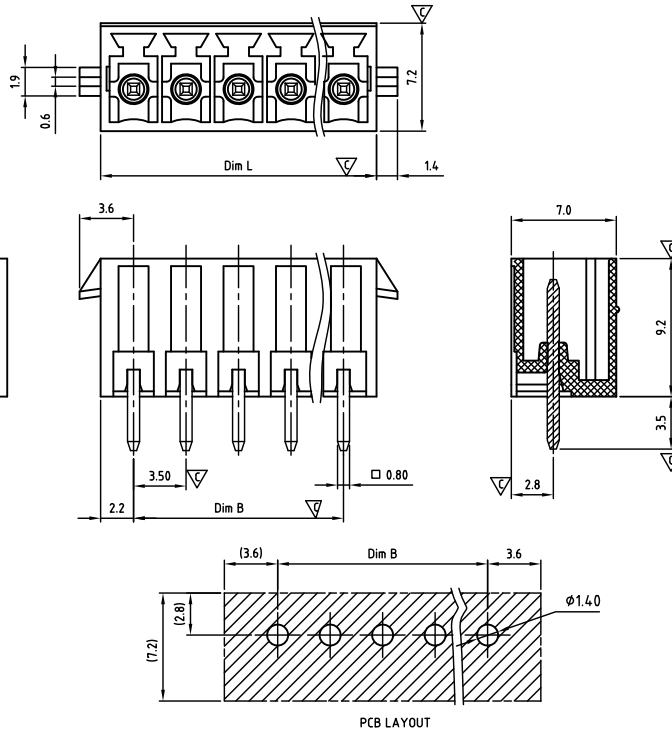


CAHADV350-SERIES

Pitch 3,50mm

cULus E501953



Critical dimension: ∇

Dim.L=(P-1)x3.5+4.4

Dim.B=(P-1)x3.5

P=Number of poles (02-24)

| | Dim B | Dim L |
|--------------|----------|----------|
| 0-30mm | +/- 0,15 | +/- 0,20 |
| over 30-60mm | +/- 0,20 | +/- 0,25 |
| over 60-90mm | +/- 0,25 | +/- 0,30 |
| over 90mm | +/- 0,30 | +/- 0,40 |

| Tolerance | |
|-----------|----------|
| x. | +/- 0,50 |
| x.x | +/- 0,30 |
| x.xx | +/- 0,10 |
| x° | +/- 1° |
| | Units:mm |

Technical data

Technical data in accordance with UL/cUL

| | Use Group | B | C | D |
|--------------------------|-----------|-----|---|-----|
| Nominal voltage (V) | | 300 | - | 300 |
| Nominal current (A) | | 8 | - | 8 |
| Connection capacity(AWG) | | - | - | - |

Technical data in accordance with IEC and VDE

| | | | |
|------------------------------------------------------------|---------|---------|--------|
| Rated insulation voltage at pollution degree 2 (V) | | 160 | |
| Rated current/conductor cross-section (A/mm ²) | | 8 / - | |
| Solid/stranded(mm ²) | | - | |
| Surge voltage category/pollution degree | III / 3 | III / 2 | II / 2 |
| Rated insulation voltage(V) | 160 | 160 | 250 |
| Rated surge voltage(kV) | 2.5 | 2.5 | 2.5 |

General data

| | | |
|----------------------------------|--|----------------------------------|
| Flange nut thread | | - |
| Flange nut tightening torque(Nm) | | - |
| Insulation Withstanding Voltage | | AC 1600 / 1min |
| Insulation Resistance | | 1000M Ω or more at DC500V |
| Using temperature range | | -40°C-115°C |
| Soldering temperature | | 250 \pm 5°C/5s |

Materials

| | | |
|--------------------------------------|--|--------------------|
| Insulation material group | | PA 66 I UL94 -V0 |
| PIN | | Copper, Tin plated |
| Flange nut | | - |
| Borehole diameter/pin dimensions(mm) | | 1.4/0.8*0.8 |

Packing information

| Poles | Order Number | SPQ |
|-------|-----------------|------|
| 2 | CAHADV35002x000 | 1000 |
| 3 | CAHADV35003x000 | 750 |
| 4 | CAHADV35004x000 | 620 |
| 5 | CAHADV35005x000 | 500 |
| 6 | CAHADV35006x000 | 450 |
| 7 | CAHADV35007x000 | 380 |
| 8 | CAHADV35008x000 | 400 |
| 9 | CAHADV35009x000 | 300 |
| 10 | CAHADV35010x000 | 320 |
| 11 | CAHADV35011x000 | 300 |
| 12 | CAHADV35012x000 | 270 |
| 13 | CAHADV35013x000 | 245 |
| 14 | CAHADV35014x000 | 245 |
| 15 | CAHADV35015x000 | 210 |
| 16 | CAHADV35016x000 | 185 |
| 17 | CAHADV35017x000 | 180 |
| 18 | CAHADV35018x000 | 180 |
| 19 | CAHADV35019x000 | 180 |
| 20 | CAHADV35020x000 | 145 |
| 21 | CAHADV35021x000 | 130 |
| 22 | CAHADV35022x000 | 130 |
| 23 | CAHADV35023x000 | 120 |
| 24 | CAHADV35024x000 | 120 |

Ordering code

CAHA DV 350 xx x xxx

① ② ③ ④ ⑤ ⑥

- ① Type
- ② Product style
- ③ Pitch
- ④ Poles (02-24)
- ⑤ Color
- ⑥ Standard 000 or Custom XXX

Color

| | |
|----------|-------------|
| 0 Black | 5 Green |
| 1 Brown | 6 Blue |
| 2 Red | G Pale grey |
| 3 Orange | 8 Dark grey |
| 4 Yellow | 9 White |

Key Commercial data

| | |
|----------------------|------------|
| Custom tariff number | 8536901000 |
| Country of origin | CN (China) |

Mating with headers

CAPBLD350 Series

