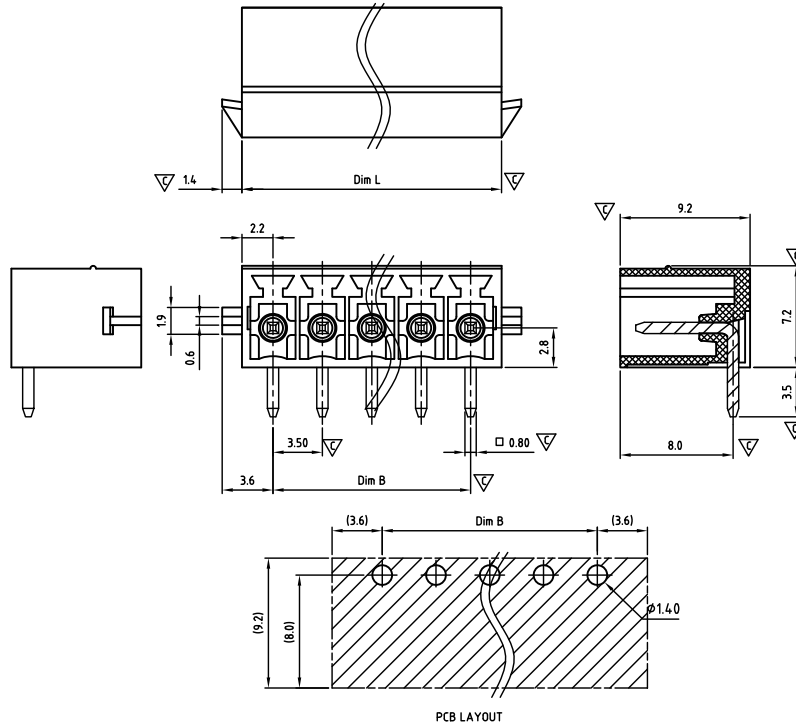




CAHADH350-SERIES

cULus E501953



Critical dimension: ▽

Dim.L=(P-1)x3.5+4.4		
Dim.B=(P-1)x3.5		
P=Number of poles (02-24)		
	Dim B	Dim L
0-30mm	+/- 0,15	+/- 0,20
over 30-60mm	+/- 0,20	+/- 0,25
over 60-90mm	+/- 0,25	+/- 0,30
over 90mm	+/- 0,30	+/- 0,40

Tolerance	
x.	+/- 0,50
x.x	+/- 0,30
x.xx	+/- 0,10
x°	+/-1°
Units:mm	

Technical data

Technical data in accordance with UL/CUL

	Use Group	B	C	D
Nominal voltage (V)		300	-	300
Nominal current (A)		8	-	8
Connection capacity(AWG)		-	-	-

Technical data in accordance with IEC and VDE

Rated insulation voltage at pollution degree 2 (V)		160
Rated current/conductor cross-section (A/mm ²)		8 / -
Solid/stranded(mm ²)		-
Surge voltage category/pollution degree	III / 3	III / 2 II / 2
Rated insulation voltage(V)	160	160 250
Rated surge voltage(kV)	2.5	2.5 2.5

General data

Flange nut thread		-
Flange nut tightening torque(Nm)		-
Insulation Withstanding Voltage		AC 1600 / 1min
Insulation Resistance		1000MΩ or more at DC500V
Using temperature range		-40°C-115°C
Soldering temperature		250±5°C/5s

Materials

Insulation material group		PA 66 I UL94 -V0
PIN		Copper, Tin plated
Flange nut		-
Borehole diameter/pin dimensions(mm)		1.4/0.8*0.8

Packing information

Poles	Order Number	SPQ
2	CAHADH35002x000	1200
3	CAHADH35003x000	750
4	CAHADH35004x000	620
5	CAHADH35005x000	500
6	CAHADH35006x000	400
7	CAHADH35007x000	350
8	CAHADH35008x000	300
9	CAHADH35009x000	300
10	CAHADH35010x000	340
11	CAHADH35011x000	300
12	CAHADH35012x000	270
13	CAHADH35013x000	245
14	CAHADH35014x000	245
15	CAHADH35015x000	205
16	CAHADH35016x000	185
17	CAHADH35017x000	150
18	CAHADH35018x000	150
19	CAHADH35019x000	150
20	CAHADH35020x000	140
21	CAHADH35021x000	135
22	CAHADH35022x000	135
23	CAHADH35023x000	135
24	CAHADH35024x000	125

Ordering code

CAHA DH 350 xx x xxx

- ① Type
- ② Product style
- ③ Pitch
- ④ Poles (02-24)
- ⑤ Color
- ⑥ Standard 000 or Custom XXX

Color

0 Black	5 Green
1 Brown	6 Blue
2 Red	G Pale grey
3 Orange	8 Dark grey
4 Yellow	9 White

Key Commercial data

Custom tariff number	8536901000
Country of origin	CN (China)

Mating with headers

CAPBLD350 Series



Pitch 3,50mm

