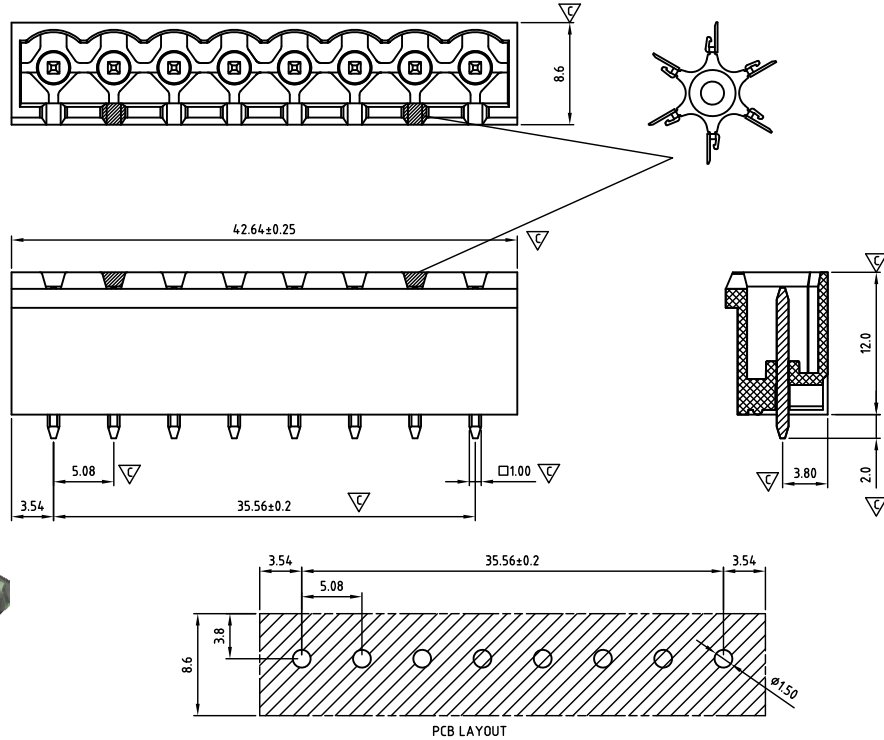


CAHABV508-SERIES

cULus E501953



Pitch 5,08mm

Technical data

Technical data in accordance with UL/cUL

	Use Group	B	C	D
Nominal voltage (V)		300	-	300
Nominal current (A)		15	-	10
Connection capacity(AWG)		-	-	-

Technical data in accordance with IEC and VDE

Rated insulation voltage at pollution degree 2 (V)	320		
Rated current/conductor cross-section (A/mm ²)	12 / -		
Solid/stranded(mm ²)	-		
Surge voltage category/pollution degree	III / 3	III / 2	II / 2
Rated insulation voltage(V)	250	320	400
Rated surge voltage(kV)	4	4	4

General data

Flange nut thread	-
Flange nut tightening torque(Nm)	-
Insulation Withstanding Voltage	AC 1600 / 1min
Insulation Resistance	1000MΩ or more at DC500V
Using temperature range	-40°C-115°C
Soldering temperature	250±5°C/5s

Materials

Insulation material group	PA 66 I UL94 -V0
PIN	Copper, Tin plated
Flange nut	-
Borehole diameter/pin dimensions(mm)	1.6/1*1

Packing information

Poles	Order Number	SPQ
8	CAHABV50808x000	170

Ordering code

CAHA BV 508 xx x xxx
① ② ③ ④ ⑤ ⑥

- ① Type
- ② Product style
- ③ Pitch
- ④ Poles (02-24)
- ⑤ Color
- ⑥ Standard 000 or Custom XXX

Color

0 Black

Key Commercial data

Custom tariff number	8536901000
Country of origin	CN (China)

Mating with headers

CAMAS T/D 508 Series



CAMBS R/W 508 Series



CAMCSD508 Series



CAMESO508 Series



CAPAS T/D 508 Series



CAPCSD 508 Series

