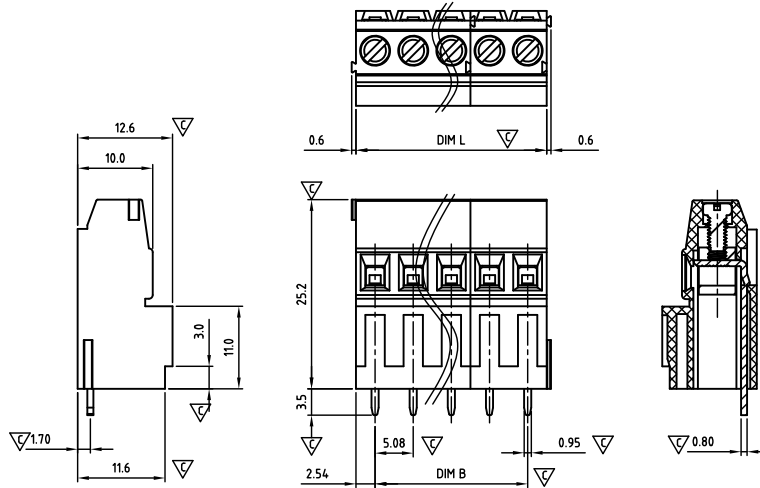




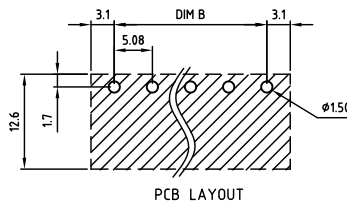
CAEQHM508-SERIES

cULus E501953



Critical dimension: ∇

Dim.L=Px5.08		
Dim.B=(P-1)x5.08		
P=Number of poles (02-24)		
	Dim B	Dim L
0-30mm	+/- 0,15	+/- 0,20
over 30-60mm	+/- 0,20	+/- 0,25
over 60-90mm	+/- 0,25	+/- 0,30
over 90mm	+/- 0,30	+/- 0,40



Tolerance	
x.	+/- 0,50
x.x	+/- 0,30
x.xx	+/- 0,10
x°	+/-1°
\varnothing	Units:mm

Technical data

Technical data in accordance with UL/CUL

	Use Group	B	C	D
Nominal voltage (V)		300	-	300
Nominal current (A)		20	-	10
Connection capacity(AWG)		30-12	-	30-12

Technical data in accordance with IEC

Rated insulation voltage at pollution degree 2 (V)		400	
Rated current/conductor cross-section (A/mm ²)		17.5 / 2.5	
Solid/stranded(mm ²)		0.14-2.5 / 0.14-2.5	
Surge voltage category/pollution degree	III / 3	III / 2	II / 2
Rated insulation voltage(V)	250	400	630
Rated surge voltage(kV)	4	4	4

General data

Stripping length(mm)		6-7
Screw thread		M2.5
Tightening torque(Nm)		0.40-0.45
Insulation Withstanding Voltage		AC 1600 / 1min
Insulation Resistance		1000M Ω or more at DC500V
Using temperature range		-40°C-115°C

Materials

Insulation material group		PA 66 I UL94 -V0
Contact		Brass, Tin plated
Cage		Brass, Ni plated
Screw		Steel, Zn plated

Packing information

Poles	Order Number	SPQ
2	CAEQHM50802x000	220
3	CAEQHM50803x000	180
4	CAEQHM50804x000	110
5	CAEQHM50805x000	110
6	CAEQHM50806x000	90
7	CAEQHM50807x000	80
8	CAEQHM50808x000	80
9	CAEQHM50809x000	60
10	CAEQHM50810x000	55
11	CAEQHM50811x000	55
12	CAEQHM50812x000	55
13	CAEQHM50813x000	45
14	CAEQHM50814x000	40
15	CAEQHM50815x000	30
16	CAEQHM50816x000	30
17	CAEQHM50817x000	30
18	CAEQHM50818x000	25
19	CAEQHM50819x000	25
20	CAEQHM50820x000	25
21	CAEQHM50821x000	25
22	CAEQHM50822x000	25
23	CAEQHM50823x000	25
24	CAEQHM50824x000	25

Ordering code

CAEQ HM 508 xx x XXX

① ② ③ ④ ⑤ ⑥

- ① Type
- ② Product style
- ③ Pitch
- ④ Poles (02-24)
- ⑤ Color
- ⑥ Standard 000 or Custom XXX

Color

0 Black	5 Green
1 Brown	6 Blue
2 Red	G Pale grey
3 Orange	8 Dark grey
4 Yellow	9 White

Key Commercial data

Custom tariff number	8536901000
Country of origin	CN (China)

