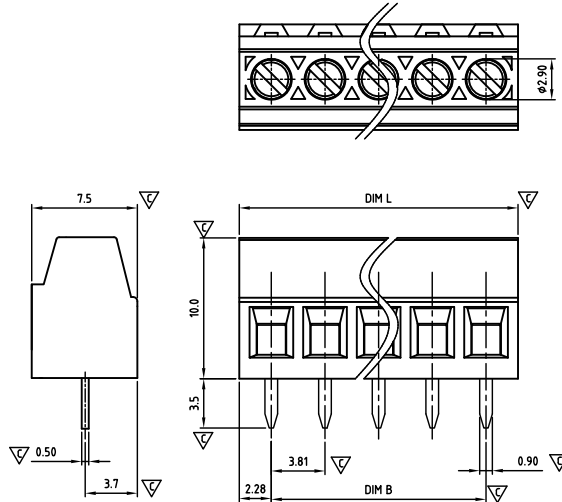


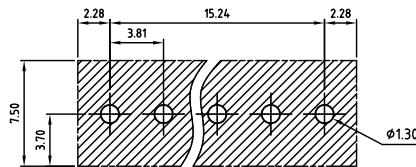
**CAEBHS381-SERIES**

**cULus** E501953



Critical dimension:  $\nabla$

Dim.L=(P-1)x3.81+4.56		
Dim.B=(P-1)x3.81		
P=Number of poles (02-24)		
	Dim B	Dim L
0-30mm	+/- 0,15	+/- 0,20
over 30-60mm	+/- 0,20	+/- 0,25
over 60-90mm	+/- 0,25	+/- 0,30
over 90mm	+/- 0,30	+/- 0,40



P.C.B. LAYOUT

Tolerance	
x.	+/- 0,50
x.x	+/- 0,30
x.xx	+/- 0,10
x°	+/- 1°
	Units:mm

**Technical data**

Technical data in accordance with UL/CUL

	Use Group	B	C	D
Nominal voltage (V)	300	-	-	-
Nominal current (A)	10	-	-	-
Connection capacity (AWG)	30-16	-	-	-

Technical data in accordance with IEC

Rated insulation voltage at pollution degree 2 (V)	200		
Rated current/conductor cross-section (A/mm <sup>2</sup> )	10 / 1		
Solid/stranded(mm <sup>2</sup> )	0.14-1.5 / 0.14-1.5		
Surge voltage category/pollution degree	III / 3	III / 2	II / 2
Rated insulation voltage(V)	160	200	320
Rated surge voltage(kV)	2.5	2.5	2.5

General data

Stripping length(mm)	5-6
Screw thread	M2.0
Tightening torque(Nm)	0.20-0.22
Insulation Withstanding Voltage	AC 1600 / 1min
Insulation Resistance	1000M $\Omega$ or more at DC500V
Using temperature range	-40°C-115°C

Materials

Insulation material group	PA 66 I UL94 -V0
Contact	Brass, Tin plated
Cage	Brass, Ni plated
Screw	Steel, Zn plated

**Packing information**

Poles	Order Number	SPQ
2	CAEBHS38102xA00	1400
3	CAEBHS38103xA00	1000
4	CAEBHS38104xA00	650
5	CAEBHS38105xA00	530
6	CAEBHS38106xA00	400
7	CAEBHS38107xA00	340
8	CAEBHS38108xA00	300
9	CAEBHS38109xA00	250
10	CAEBHS38110xA00	250
11	CAEBHS38111xA00	200
12	CAEBHS38112xA00	200
13	CAEBHS38113xA00	170
14	CAEBHS38114xA00	170
15	CAEBHS38115xA00	170
16	CAEBHS38116xA00	150
17	CAEBHS38117xA00	110
18	CAEBHS38118xA00	110
19	CAEBHS38119xA00	110
20	CAEBHS38120xA00	110
21	CAEBHS38121xA00	100
22	CAEBHS38122xA00	100
23	CAEBHS38123xA00	110
24	CAEBHS38124xA00	110

**Ordering code**

**CAEB HS 381 xx x AXX**

① ② ③ ④ ⑤ ⑥

- ① Type
- ② Product style
- ③ Pitch
- ④ Poles (02-24)
- ⑤ Color
- ⑥ Standard A00 or Custom XXX

Color

0 Black	5 Green
1 Brown	6 Blue
2 Red	G Pale grey
3 Orange	8 Dark grey
4 Yellow	9 White

**Key Commercial data**

Custom tariff number	8536901000
Country of origin	CN (China)

