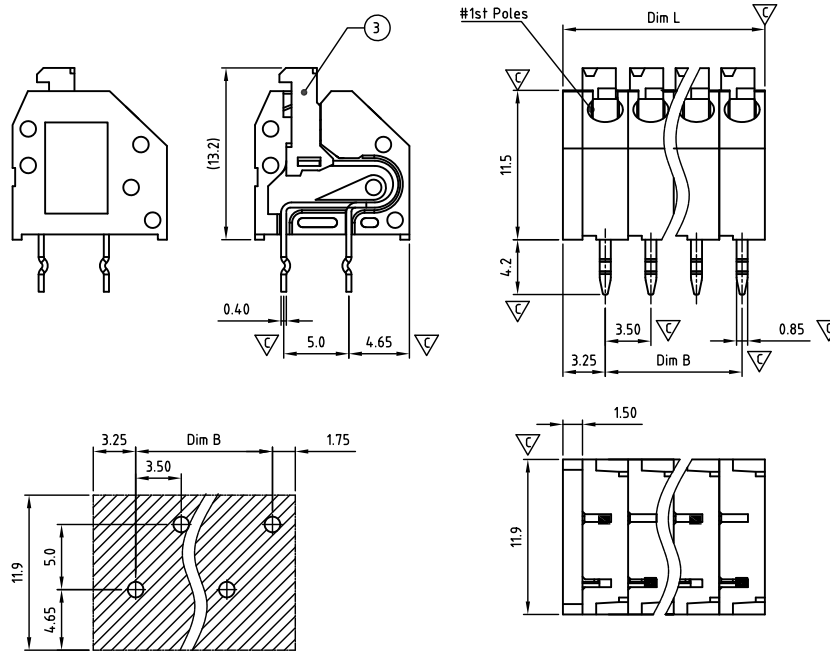




CASCAZ350-SERIES

cULus E501953



Critical dimension: ∇

Dim.L= $P \times 3.5 + 1.5$
 Dim.B= $(P-1) \times 3.5$
 P=Number of poles (01-24)

| | Dim B | Dim L |
|--------------|----------|----------|
| 0-30mm | +/- 0,15 | +/- 0,20 |
| over 30-60mm | +/- 0,20 | +/- 0,25 |
| over 60-90mm | +/- 0,25 | +/- 0,30 |
| over 90mm | +/- 0,30 | +/- 0,40 |

PCB LAYOUT

| Tolerance | |
|-----------|----------|
| x. | +/- 0,50 |
| x.x | +/- 0,30 |
| x.xx | +/- 0,10 |
| x° | +/- 1° |

Units:mm

Pitch 3,50mm

Technical data

Technical data in accordance with UL/CUL

| | Use Group | B | C | D |
|--------------------------|-----------|-------|---|-------|
| Nominal voltage (V) | | 300 | - | 300 |
| Nominal current (A) | | 5.5 | - | 5.5 |
| Connection capacity(AWG) | | 22-16 | - | 22-16 |

Technical data in accordance with IEC

| | | | |
|--|-----------------|---------|--------|
| Rated insulation voltage at pollution degree 2 (V) | 400 | | |
| Rated current/conductor cross-section (A/mm ²) | 6 / 1.5 | | |
| Solid/stranded(mm ²) | 0.5-1.5/0.5-1.5 | | |
| Surge voltage category/pollution degree | III / 3 | III / 2 | II / 2 |
| Rated insulation voltage(V) | 250 | 400 | 630 |
| Rated surge voltage(kV) | 4 | 4 | 4 |

General data

| | |
|--------------------------------------|-------------|
| Stripping length(mm) | 9-10 |
| Borehole diameter/pin dimensions(mm) | 1.2/0.4*0.8 |

Materials

| | |
|-----------------------------------|------------------|
| Insulation material group | PA 66 I |
| Inflammability class acc. To UI94 | V0 |
| Contact | Brass, Sn plated |

Packing information

| Poles | Order Number | SPQ |
|-------|-----------------|-----|
| 1 | CASCAZ35001x000 | 750 |
| 2 | CASCAZ35002x000 | 730 |
| 3 | CASCAZ35003x000 | 520 |
| 4 | CASCAZ35004x000 | 380 |
| 5 | CASCAZ35005x000 | 320 |
| 6 | CASCAZ35006x000 | 260 |
| 7 | CASCAZ35007x000 | 240 |
| 8 | CASCAZ35008x000 | 205 |
| 9 | CASCAZ35009x000 | 170 |
| 10 | CASCAZ35010x000 | 160 |
| 11 | CASCAZ35011x000 | 140 |
| 12 | CASCAZ35012x000 | 130 |
| 13 | CASCAZ35013x000 | 120 |
| 14 | CASCAZ35014x000 | 120 |
| 15 | CASCAZ35015x000 | 120 |
| 16 | CASCAZ35016x000 | 100 |
| 17 | CASCAZ35017x000 | 100 |
| 18 | CASCAZ35018x000 | 100 |
| 19 | CASCAZ35019x000 | 70 |
| 20 | CASCAZ35020x000 | 70 |
| 21 | CASCAZ35021x000 | 70 |
| 22 | CASCAZ35022x000 | 70 |
| 23 | CASCAZ35023x000 | 70 |
| 24 | CASCAZ35024x000 | 70 |

Ordering code

CASC AZ 350 xx x xxx

① ② ③ ④ ⑤ ⑥

- ① Type
- ② Product style
- ③ Pitch
- ④ Poles (01-24)
- ⑤ Color
- ⑥ Standard 000 or Custom XXX

Color

| | |
|----------|-------------|
| 0 Black | 5 Green |
| 1 Brown | 6 Blue |
| 2 Red | G Pale grey |
| 3 Orange | 8 Dark grey |
| 4 Yellow | 9 White |

Key Commercial data

| | |
|----------------------|------------|
| Custom tariff number | 8536901000 |
| Country of origin | CN (China) |

