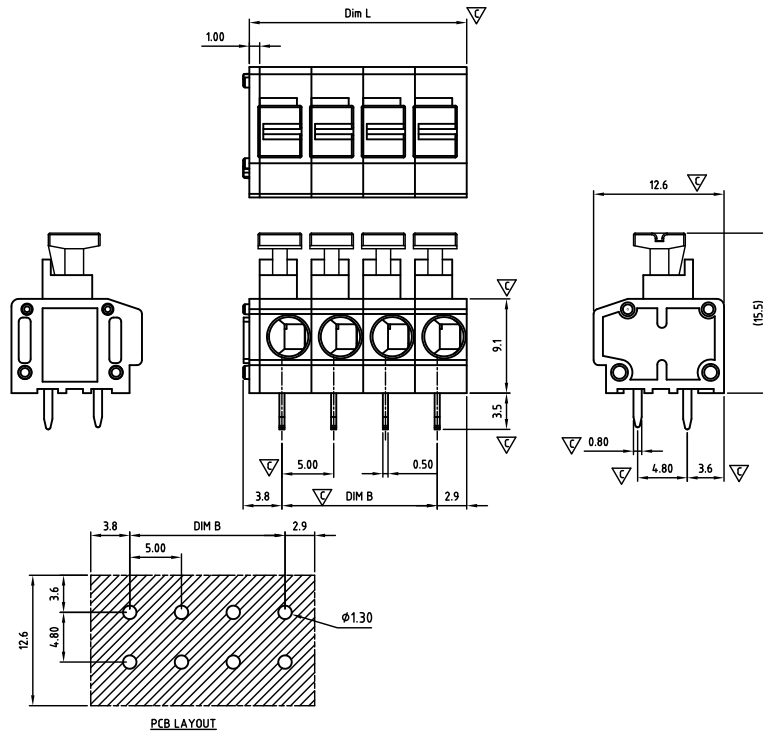


**CASBSA500-SERIES**

cULus E501953



Critical dimension: ∇

|                           |          |          |
|---------------------------|----------|----------|
| Dim.L=Px5.0+1.0           |          |          |
| Dim.B=(P-1)x5.0           |          |          |
| P=Number of poles (01-24) |          |          |
|                           | Dim B    | Dim L    |
| 0-30mm                    | +/- 0,15 | +/- 0,20 |
| over 30-60mm              | +/- 0,20 | +/- 0,25 |
| over 60-90mm              | +/- 0,25 | +/- 0,30 |
| over 90mm                 | +/- 0,30 | +/- 0,40 |

| Tolerance |          |
|-----------|----------|
| x.        | +/- 0,50 |
| x.x       | +/- 0,30 |
| x.xx      | +/- 0,10 |
| x°        | +/- 1°   |
|           | Units:mm |

**Technical data**

Technical data in accordance with UL/CUL

|                          | Use Group | B     | C | D     |
|--------------------------|-----------|-------|---|-------|
| Nominal voltage (V)      |           | 300   | - | 300   |
| Nominal current (A)      |           | 10    | - | 10    |
| Connection capacity(AWG) |           | 20-14 | - | 20-14 |

Technical data in accordance with IEC

|  |                 |         |        |
|--|-----------------|---------|--------|
| Rated insulation voltage at pollution degree 2 (V)         | 320             |         |        |
| Rated current/conductor cross-section (A/mm <sup>2</sup> ) | 10 / 2.5        |         |        |
| Solid/stranded(mm <sup>2</sup> )                           | 0.5-2.5/0.5-1.5 |         |        |
| Surge voltage category/pollution degree                    | III / 3         | III / 2 | II / 2 |
| Rated insulation voltage(V)                                | 250             | 320     | 630    |
| Rated surge voltage(kV)                                    | 4               | 4       | 4      |

General data

|                                      |             |
|--------------------------------------|-------------|
| Stripping length(mm)                 | 9-10        |
| Borehole diameter/pin dimensions(mm) | 1.3/0.5*0.8 |

Materials

|                                  |                  |
|----------------------------------|------------------|
| Insulation material group        | PA 66 I          |
| Inflammability class acc.To UI94 | V0               |
| Contact                          | Brass, Sn plated |
| Wire guard                       | Stainless steel  |

**Packing information**

| Poles | Order Number    | SPQ |
|-------|-----------------|-----|
| 2     | CASBSA50002x000 | 360 |
| 3     | CASBSA50003x000 | 252 |
| 4     | CASBSA50004x000 | 180 |
| 5     | CASBSA50005x000 | 144 |
| 6     | CASBSA50006x000 | 108 |
| 7     | CASBSA50007x000 | 108 |
| 8     | CASBSA50008x000 | 75  |
| 9     | CASBSA50009x000 | 75  |
| 10    | CASBSA50010x000 | 75  |
| 11    | CASBSA50011x000 | 72  |
| 12    | CASBSA50012x000 | 63  |
| 13    | CASBSA50013x000 | 42  |
| 14    | CASBSA50014x000 | 42  |
| 15    | CASBSA50015x000 | 42  |
| 16    | CASBSA50016x000 | 42  |
| 17    | CASBSA50017x000 | 42  |
| 18    | CASBSA50018x000 | 42  |
| 19    | CASBSA50019x000 | 42  |
| 20    | CASBSA50020x000 | 36  |
| 21    | CASBSA50021x000 | 36  |
| 22    | CASBSA50022x000 | 36  |
| 23    | CASBSA50023x000 | 36  |
| 24    | CASBSA50024x000 | 36  |

**Ordering code**

CASB SA 500 xx x xxx

① ② ③ ④ ⑤ ⑥

- ① Type
- ② Product style
- ③ Pitch
- ④ Poles (01-24)
- ⑤ Color
- ⑥ Standard 000 or Custom XXX

Color

|          |             |
|----------|-------------|
| 0 Black  | 5 Green     |
| 1 Brown  | 6 Blue      |
| 2 Red    | G Pale grey |
| 3 Orange | 8 Dark grey |
| 4 Yellow | 9 White     |

**Key Commercial data**

|                      |            |
|----------------------|------------|
| Custom tariff number | 8536901000 |
| Country of origin    | CN (China) |