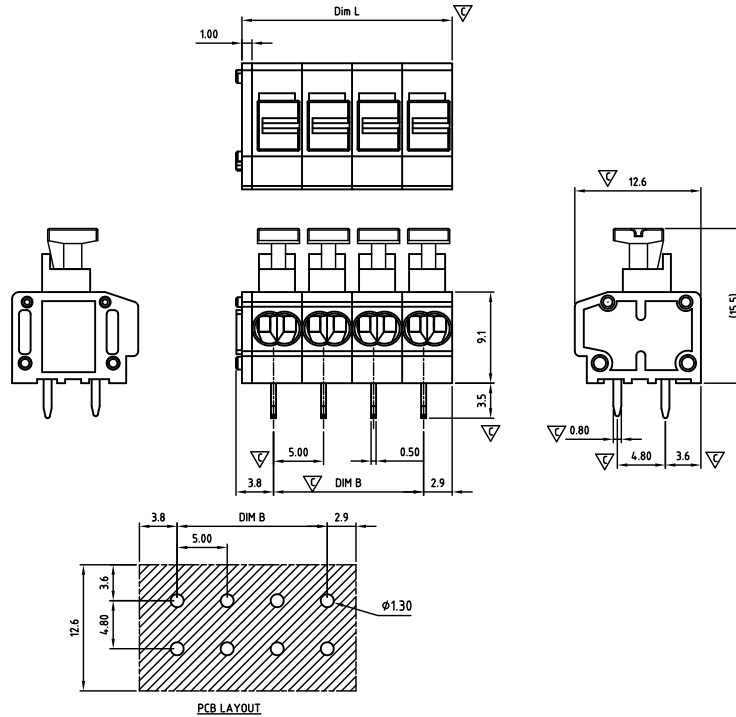


CASBDA500-SERIES

cAUs E501953



Critical dimension: ∇

Dim.L=Px5.0+1.0

Dim.B=(P-1)x5.0

P=Number of poles (01-24)

	Dim B	Dim L
0-30mm	+/- 0,15	+/- 0,20
over 30-60mm	+/- 0,20	+/- 0,25
over 60-90mm	+/- 0,25	+/- 0,30
over 90mm	+/- 0,30	+/- 0,40

Tolerance	
x.	+/- 0,50
x.x	+/- 0,30
x.xx	+/- 0,10
x°	+/- 1°

Units:mm

Technical data

Technical data in accordance with UL/CUL

	Use Group	B	C	D
Nominal voltage (V)		300	-	300
Nominal current (A)		10	-	10
Connection capacity(AWG)		2*24-18	-	2*24-18

Technical data in accordance with IEC

Rated insulation voltage at pollution degree 2 (V)	320		
Rated current/conductor cross-section (A/mm ²)	10 / 2.5		
Solid/stranded(mm ²)	0.5-2.5/0.5-1.5		
Surge voltage category/pollution degree	III / 3	III / 2	II / 2
Rated insulation voltage(V)	250	320	630
Rated surge voltage(kV)	4	4	4

General data

Stripping length(mm)	9-10
Borehole diameter/pin dimensions(mm)	1.3/0.5*0.8

Materials

Insulation material group	PA 66 I
Inflammability class acc. To UI94	V0
Contact	Brass, Sn plated
Wire guard	Stainless steel

Packing information

Poles	Order Number	SPQ
2	CASBDA50002x000	360
3	CASBDA50003x000	252
4	CASBDA50004x000	180
5	CASBDA50005x000	144
6	CASBDA50006x000	108
7	CASBDA50007x000	108
8	CASBDA50008x000	75
9	CASBDA50009x000	75
10	CASBDA50010x000	75
11	CASBDA50011x000	72
12	CASBDA50012x000	63
13	CASBDA50013x000	42
14	CASBDA50014x000	42
15	CASBDA50015x000	42
16	CASBDA50016x000	42
17	CASBDA50017x000	42
18	CASBDA50018x000	42
19	CASBDA50019x000	42
20	CASBDA50020x000	36
21	CASBDA50021x000	36
22	CASBDA50022x000	36
23	CASBDA50023x000	36
24	CASBDA50024x000	36

Ordering code

CASB DA 500 xx x xxx

① ② ③ ④ ⑤ ⑥

- ① Type
- ② Product style
- ③ Pitch
- ④ Poles (01-24)
- ⑤ Color
- ⑥ Standard 000 or Custom XXX

Color

0 Black	5 Green
1 Brown	6 Blue
2 Red	G Pale grey
3 Orange	8 Dark grey
4 Yellow	9 White

Key Commercial data

Custom tariff number	8536901000
Country of origin	CN (China)

