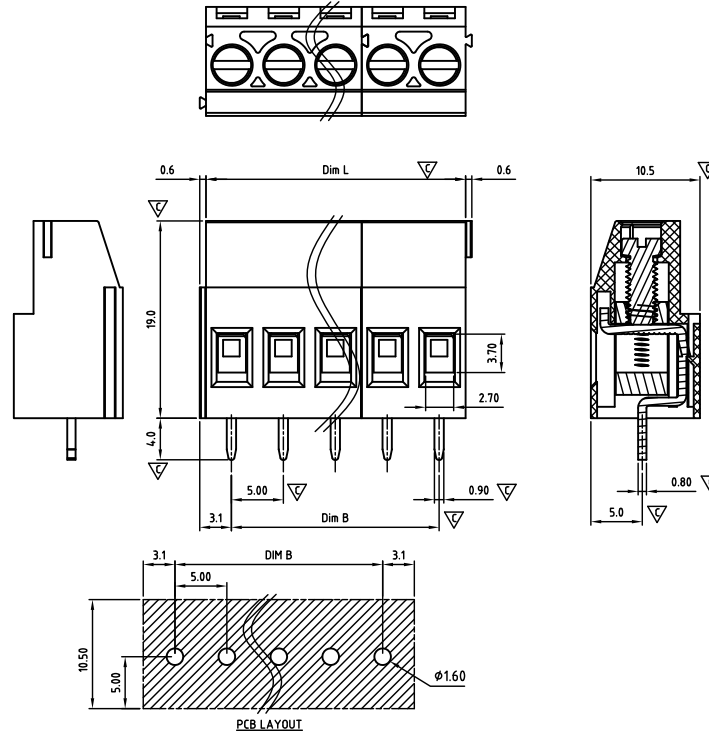




**CAEJHM500-SERIES**

**cULus** E501953



Critical dimension: ▽

Dim.L=Px5.0		
Dim.B=(P-1)x5.0		
P=Number of poles (02-24)		
	Dim B	Dim L
0-30mm	+/- 0,15	+/- 0,20
over 30-60mm	+/- 0,20	+/- 0,25
over 60-90mm	+/- 0,25	+/- 0,30
over 90mm	+/- 0,30	+/- 0,40

Tolerance	
x.	+/- 0,50
x.x	+/- 0,30
x.xx	+/- 0,10
x°	+/- 1°
Units:mm	

**Technical data**

Technical data in accordance with UL/CUL

	Use Group	B	C	D
Nominal voltage (V)		300	-	300
Nominal current (A)		20	-	10
Connection capacity(AWG)		30-12	-	30-12

Technical data in accordance with IEC

Rated insulation voltage at pollution degree 2 (V)	400		
Rated current/conductor cross-section (A/mm <sup>2</sup> )	24 / 2.5		
Solid/stranded(mm <sup>2</sup> )	0.2-4 / 0.2-2.5		
Surge voltage category/pollution degree	III / 3	III / 2	II / 2
Rated insulation voltage(V)	250	400	630
Rated surge voltage(kV)	4	4	4

General data

Stripping length(mm)	7-8
Screw thread	M3.0
Tightening torque(Nm)	0.5-0.6
Insulation Withstanding Voltage	AC 1600 / 1min
Insulation Resistance	1000MΩ or more at DC500V
Using temperature range	-40°C-115°C

Materials

Insulation material group	PA 66 I UL94 -V0
Contact	Brass, Tin plated
Cage	Brass, Ni plated
Screw	Steel, Zn plated

**Packing information**

Poles	Order Number	SPQ
2	CAEJHM50002xH00	420
3	CAEJHM50003xH00	270
4	CAEJHM50004xH00	270
5	CAEJHM50005xH00	175
6	CAEJHM50006xH00	150
7	CAEJHM50007xH00	120
8	CAEJHM50008xH00	100
9	CAEJHM50009xH00	100
10	CAEJHM50010xH00	75
11	CAEJHM50011xH00	75
12	CAEJHM50012xH00	75
13	CAEJHM50013xH00	50
14	CAEJHM50014xH00	50
15	CAEJHM50015xH00	50
16	CAEJHM50016xH00	50
17	CAEJHM50017xH00	50
18	CAEJHM50018xH00	50
19	CAEJHM50019xH00	50
20	CAEJHM50020xH00	50
21	CAEJHM50021xH00	25
22	CAEJHM50022xH00	25
23	CAEJHM50023xH00	25
24	CAEJHM50024xH00	25

**Ordering code**

**CAEJ HM 500 xx x Hxx**

① ② ③ ④ ⑤ ⑥

- ① Type
- ② Product style
- ③ Pitch
- ④ Poles (02-24)
- ⑤ Color
- ⑥ Standard H00 or Custom XXX

Color

0 Black	5 Green
1 Brown	6 Blue
2 Red	G Pale grey
3 Orange	8 Dark grey
4 Yellow	9 White

**Key Commercial data**

Custom tariff number	8536901100
Country of origin	CN (China)

