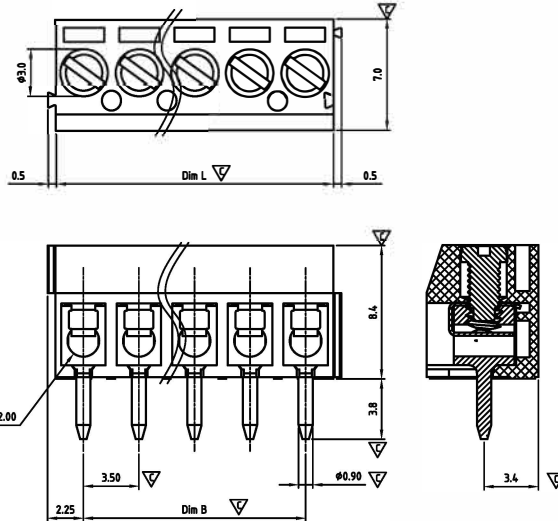


CADCHS350-SERIES (solid block)

Pitch 3,50mm

cULus E501953



Critical dimension: ∇

Dim.L=Px3.5		
Dim.B=(P-1)x3.5		
P=Number of poles (02-24)		
	Dim B	Dim L
0-30mm	+/- 0,15	+/- 0,20
over 30-60mm	+/- 0,20	+/- 0,25
over 60-90mm	+/- 0,25	+/- 0,30
over 90mm	+/- 0,30	+/- 0,40

Tolerance	
x	+/- 0,50
x.x	+/- 0,30
x.xx	+/- 0,10
x°	+/- 1°
	Units:mm

Technical data

Technical data in accordance with UL/CUL

	Use Group	B	C	D
Nominal voltage (V)	300	-	-	-
Nominal current (A)	10	-	-	-
Connection capacity(AWG)	26-16	-	-	-

Technical data in accordance with IEC and VDE

Rated insulation voltage at pollution degree 2 (V)	200
Rated current/conductor cross-section (A/mm ²)	10 / 1.5
Solid/stranded(mm ²)	0.14-1.5 / 0.14-1.5
Surge voltage category / pollution degree	III / 3 III / 2 II / 2
Rated insulation voltage(V)	160 200 400
Rated surge voltage(kV)	2.5 2.5 2.5

General data

Stripping length(mm)	5-6
Screw thread	M2.0
Tightening torque(Nm)	0.20-0.22
Insulation Withstanding Voltage	AC 1600 / 1min
Insulation Resistance	1000M Ω or more at DC500V
Using temperature range	-40°C-115°C

Materials

Insulation material group	PA 66 UL94 -V0
Wire guard	Stainless steel
Cage	Brass, Sn plated
Screw	Steel, Zn plated

Packing information

Poles	Order Number	SPQ
2	CADCHS35002x000	1340
3	CADCHS35003x000	980
4	CADCHS35004x000	800
5	CADCHS35005x000	600
6	CADCHS35006x000	490
7	CADCHS35007x000	360
8	CADCHS35008x000	300
9	CADCHS35009x000	240
10	CADCHS35010x000	220
11	CADCHS35011x000	165
12	CADCHS35012x000	165
13	CADCHS35013x000	165
14	CADCHS35014x000	165
15	CADCHS35015x000	165
16	CADCHS35016x000	165
17	CADCHS35017x000	165
18	CADCHS35018x000	165
19	CADCHS35019x000	165
20	CADCHS35020x000	150
21	CADCHS35021x000	150
22	CADCHS35022x000	130
23	CADCHS35023x000	130
24	CADCHS35024x000	130

Ordering code

CADC HS 350 xx x xxx

① ② ③ ④ ⑤ ⑥

- ① Type
- ② Product style
- ③ Pitch
- ④ Poles (02-24)
- ⑤ Color
- ⑥ Standard 000 or Custom XXX

Color

0 Black	5 Green
1 Brown	6 Blue
2 Red	G Pale grey
3 Orange	8 Dark grey
4 Yellow	9 White

Key Commercial data

Custom tariff number	8536901100
Country of origin	CN (China)

