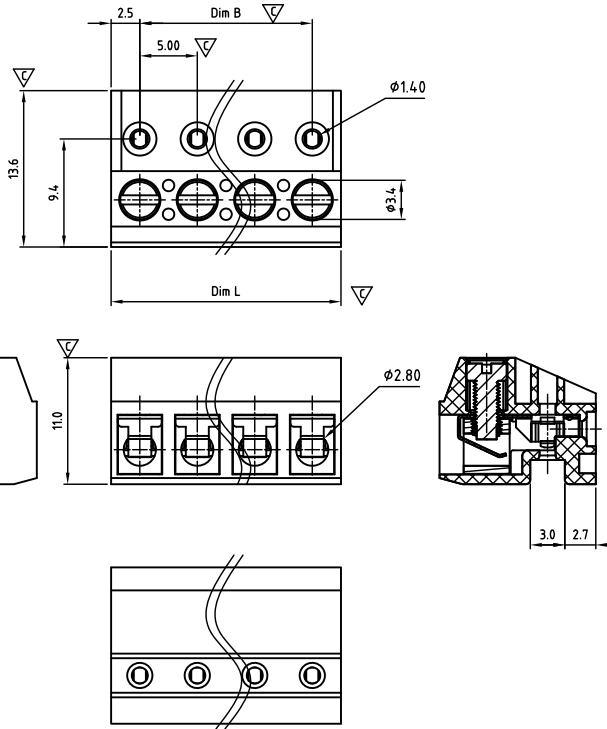




CANASO500-SERIES

cULus E501953



Critical dimension: ∇

Dim.L=Px5.0

Dim.B=(P-1)x5.0

P=Number of poles (02-24)

	Dim B	Dim L
0-30mm	+/- 0,15	+/- 0,20
over 30-60mm	+/- 0,20	+/- 0,25
over 60-90mm	+/- 0,25	+/- 0,30
over 90mm	+/- 0,30	+/- 0,40

Tolerance	
x.	+/- 0,50
x.x	+/- 0,30
x.xx	+/- 0,10
x°	+/- 1°

Units:mm

Technical data

Technical data in accordance with UL/CUL

	Use Group	B	C	D
Nominal voltage (V)		300	-	300
Nominal current (A)		14	-	10
Connection capacity(AWG)		22-14	-	22-14

Technical data in accordance with IEC

Rated insulation voltage at pollution degree 2 (V)	320		
Rated current/conductor cross-section (A/mm ²)	12 / 1.5		
Solid/stranded(mm ²)	0.34-1.5 / 0.34-1.5		
Surge voltage category/pollution degree	III / 3	III / 2	II / 2
Rated insulation voltage(V)	250	320	630
Rated surge voltage(kV)	2.5	2.5	2.5

General data

Stripping length(mm)	5-6
Screw thread	M2.6
Tightening torque(Nm)	0.4-0.45
Insulation Withstanding Voltage	AC 1600 / 1min
Insulation Resistance	1000M Ω or more at DC500V
Using temperature range	-40°C-115°C

Materials

Insulation material group	PA 66 I UL94 -V0
Wire guard	PhBz
Cage	Brass, Sn plated
Screw	Steel, Zn plated

Packing information

Poles	Order Number	SPQ
2	CANASO50002x000	600
3	CANASO50003x000	400
4	CANASO50004x000	300
5	CANASO50005x000	250
6	CANASO50006x000	200
7	CANASO50007x000	170
8	CANASO50008x000	150
9	CANASO50009x000	140
10	CANASO50010x000	120
11	CANASO50011x000	110
12	CANASO50012x000	100
13	CANASO50013x000	105
14	CANASO50014x000	80
15	CANASO50015x000	80
16	CANASO50016x000	70
17	CANASO50017x000	70
18	CANASO50018x000	70
19	CANASO50019x000	70
20	CANASO50020x000	70
21	CANASO50021x000	60
22	CANASO50022x000	55
23	CANASO50023x000	55
24	CANASO50024x000	55

Ordering code

CANA SO 500 xx x xxx
① ② ③ ④ ⑤ ⑥

- ① Type
- ② Product style
- ③ Pitch
- ④ Poles (02-24)
- ⑤ Color
- ⑥ Standard 000 or Custom XXX

Color

0 Black	5 Green
1 Brown	6 Blue
2 Red	G Pale grey
3 Orange	8 Dark grey
4 Yellow	9 White

Key Commercial data

Custom tariff number	8536901000
Country of origin	CN (China)

Mating with headers

CAGAVA500 Series

