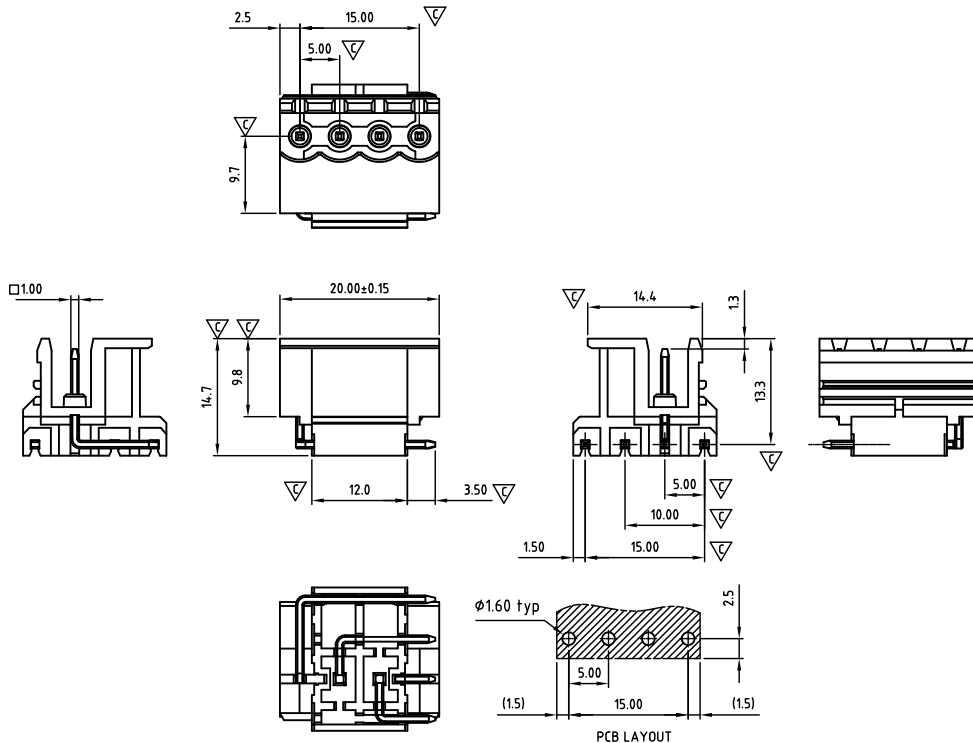


**CAHDAR500-SERIES**

cULus E501953



Critical dimension: ▽

Dim.L=Px5.0

Dim.B=(P-1)x5.0

P=Number of poles (02-04)

	Dim B	Dim L
0-30mm	+/- 0,15	+/- 0,20
over 30-60mm	+/- 0,20	+/- 0,25
over 60-90mm	+/- 0,25	+/- 0,30
over 90mm	+/- 0,30	+/- 0,40

Tolerance	
x.	+/- 0,50
x.x	+/- 0,30
x.xx	+/- 0,10
x°	+/- 1°
Units:mm	

**Technical data**

Technical data in accordance with UL/cUL

	Use Group	B	C	D
Nominal voltage (V)		300	-	300
Nominal current (A)		15	-	10
Connection capacity(AWG)		-	-	-

Technical data in accordance with IEC and VDE

Rated insulation voltage at pollution degree 2 (V)		320		
Rated current/conductor cross-section (A/mm <sup>2</sup> )		12 / -		
Solid/stranded(mm <sup>2</sup> )		-		
Surge voltage category/pollution degree	III / 3	III / 2	II / 2	
Rated insulation voltage(V)	250	320	400	
Rated surge voltage(kV)	4	4	4	

General data

Flange nut thread		-
Flange nut tightening torque(Nm)		-
Insulation Withstanding Voltage		AC 1600 / 1min
Insulation Resistance		1000MΩ or more at DC500V
Using temperature range		-40°C-115°C
Soldering temperature		250±5°C/5s

Materials

Insulation material group		PA 66 I UL94 -V0
PIN		Copper, Tin plated
Flange nut		-
Borehole diameter/pin dimensions(mm)		1.6/1 *1

**Packing information**

Poles	Order Number	SPQ
2	CAHDAR50002x000	560
3	CAHDAR50003x000	250
4	CAHDAR50004x000	200

**Ordering code**

CAHDAR 500 xx x xxx  
① ② ③ ④ ⑤ ⑥

- ① Type
- ② Product style
- ③ Pitch
- ④ Poles (02-04)
- ⑤ Color
- ⑥ Standard 000 or Custom XXX

Color

0 Black	5 Green
1 Brown	6 Blue
2 Red	G Pale grey
3 Orange	8 Dark grey
4 Yellow	9 White

**Key Commercial data**

Custom tariff number	8536901000
Country of origin	CN (China)

**Mating with headers**

CAMAST500 Series

