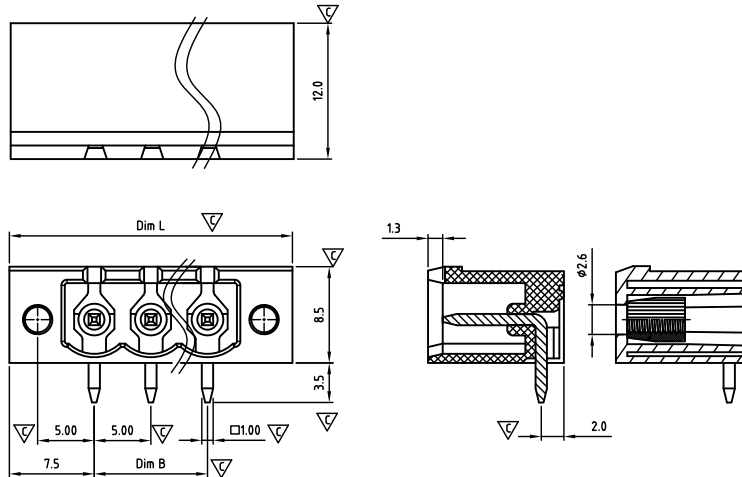




## CAHACH500-SERIES

cULus E501953



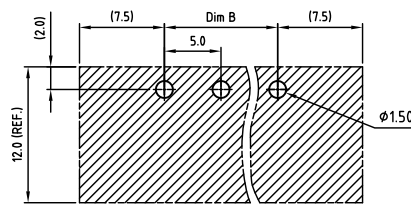
Critical dimension:  $\nabla$

Dim.L=(P+2)x5.0

Dim.B=(P-1)x5.0

P=Number of poles (02-24)

	Dim B	Dim L
0-30mm	+/- 0,15	+/- 0,20
over 30-60mm	+/- 0,20	+/- 0,25
over 60-90mm	+/- 0,25	+/- 0,30
over 90mm	+/- 0,30	+/- 0,40



RECOMMENDED PCB LAYOUT

Tolerance	
x.	+/- 0,50
x.x	+/- 0,30
x.xx	+/- 0,10
x°	+/- 1°

Units:mm

### Technical data

Technical data in accordance with UL/CUL

	Use Group	B	C	D
Nominal voltage (V)		300	-	300
Nominal current (A)		15	-	10
Connection capacity (AWG)		-	-	-

Technical data in accordance with IEC and VDE

Rated insulation voltage at pollution degree 2 (V)		320		
Rated current/conductor cross-section (A/mm <sup>2</sup> )		12 / -		
Solid/stranded(mm <sup>2</sup> )		-		
Surge voltage category/pollution degree	III / 3	III / 2	II / 2	
Rated insulation voltage(V)	250	320	400	
Rated surge voltage(kV)	4	4	4	

General data

Flange nut thread	M2.5
Flange nut tightening torque(Nm)	Max. 0.3
Insulation Withstanding Voltage	AC 1600 / 1min
Insulation Resistance	1000MΩ or more at DC500V
Using temperature range	-40°C-115°C
Soldering temperature	250±5°C/5s

Materials

Insulation material group	PA 66 I UL94 -V0
PIN	Copper, Tin plated
Flange nut	Brass
Borehole diameter/pin dimensions(mm)	1.6/1*1

### Packing information

Poles	Order Number	SPQ
2	CAHACH50002x000	350
3	CAHACH50003x000	280
4	CAHACH50004x000	250
5	CAHACH50005x000	250
6	CAHACH50006x000	150
7	CAHACH50007x000	150
8	CAHACH50008x000	150
9	CAHACH50009x000	140
10	CAHACH50010x000	140
11	CAHACH50011x000	125
12	CAHACH50012x000	105
13	CAHACH50013x000	100
14	CAHACH50014x000	100
15	CAHACH50015x000	95
16	CAHACH50016x000	90
17	CAHACH50017x000	90
18	CAHACH50018x000	80
19	CAHACH50019x000	75
20	CAHACH50020x000	70
21	CAHACH50021x000	70
22	CAHACH50022x000	70
23	CAHACH50023x000	40
24	CAHACH50024x000	40

### Ordering code

CAHA CH 500 xx x xxx  
① ② ③ ④ ⑤ ⑥

- ① Type
- ② Product style
- ③ Pitch
- ④ Poles (02-24)
- ⑤ Color
- ⑥ Standard 000 or Custom XXX

Color

0 Black	5 Green
1 Brown	6 Blue
2 Red	G Pale grey
3 Orange	8 Dark grey
4 Yellow	9 White

### Key Commercial data

Custom tariff number	8536901000
Country of origin	CN (China)

### Mating with headers

CAMAFT500 Series



CAMAFD500 Series



CAMBFR500 Series



CAMBFW500 Series

