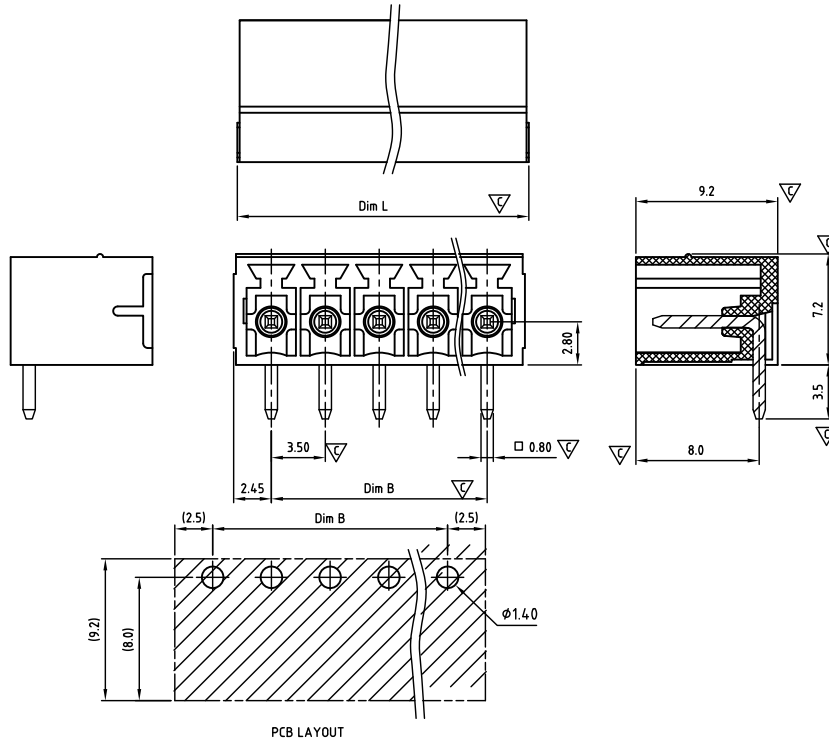




CAHABH350-SERIES

cULus E501953



Critical dimension: ▽

Dim.L=(P-1)x3.5+4.9		
Dim.B=(P-1)x3.5		
P=Number of poles (02-24)		
	Dim B	Dim L
0-30mm	+/- 0,15	+/- 0,20
over 30-60mm	+/- 0,20	+/- 0,25
over 60-90mm	+/- 0,25	+/- 0,30
over 90mm	+/- 0,30	+/- 0,40

Tolerance	
x.	+/- 0,50
x.x	+/- 0,30
x.xx	+/- 0,10
x°	+/- 1°
Units:mm	

Technical data

Technical data in accordance with UL/CUL

	Use Group	B	C	D
Nominal voltage (V)	300	-	300	
Nominal current (A)	8	-	8	
Connection capacity(AWG)	-	-	-	

Technical data in accordance with IEC and VDE

Rated insulation voltage at pollution degree 2 (V)	160
Rated current/conductor cross-section (A/mm ²)	8 / -
Solid/stranded(mm ²)	-
Surge voltage category/pollution degree	III / 3 III / 2 II / 2
Rated insulation voltage(V)	160 160 250
Rated surge voltage(kV)	2.5 2.5 2.5

General data

Flange nut thread	-
Flange nut tightening torque(Nm)	-
Insulation Withstanding Voltage	AC 1600 / 1min
Insulation Resistance	1000MΩ or more at DC500V
Using temperature range	-40°C-115°C
Soldering temperature	250±5°C/5s

Materials

Insulation material group	PA 66 I UL94 -V0
PIN	Copper, Tin plated
Flange nut	-
Borehole diameter/pin dimensions(mm)	1.4/0.8*0.8

Packing information

Poles	Order Number	SPQ
2	CAHABH35002x000	1200
3	CAHABH35003x000	750
4	CAHABH35004x000	620
5	CAHABH35005x000	500
6	CAHABH35006x000	400
7	CAHABH35007x000	350
8	CAHABH35008x000	300
9	CAHABH35009x000	300
10	CAHABH35010x000	340
11	CAHABH35011x000	300
12	CAHABH35012x000	270
13	CAHABH35013x000	245
14	CAHABH35014x000	245
15	CAHABH35015x000	205
16	CAHABH35016x000	185
17	CAHABH35017x000	150
18	CAHABH35018x000	150
19	CAHABH35019x000	150
20	CAHABH35020x000	140
21	CAHABH35021x000	135
22	CAHABH35022x000	135
23	CAHABH35023x000	135
24	CAHABH35024x000	125

Ordering code

CAHA BH 350 xx x xxx
 ① ② ③ ④ ⑤ ⑥

- ① Type
- ② Product style
- ③ Pitch
- ④ Poles (02-24)
- ⑤ Color
- ⑥ Standard 000 or Custom XXX

Color

0 Black	5 Green
1 Brown	6 Blue
2 Red	G Pale grey
3 Orange	8 Dark grey
4 Yellow	9 White

Key Commercial data

Custom tariff number	8536901000
Country of origin	CN (China)

Mating with headers

CAMAST350 Series



CAMBSR350 Series



CAMBSW350 Series



CAPBSD350 Series

