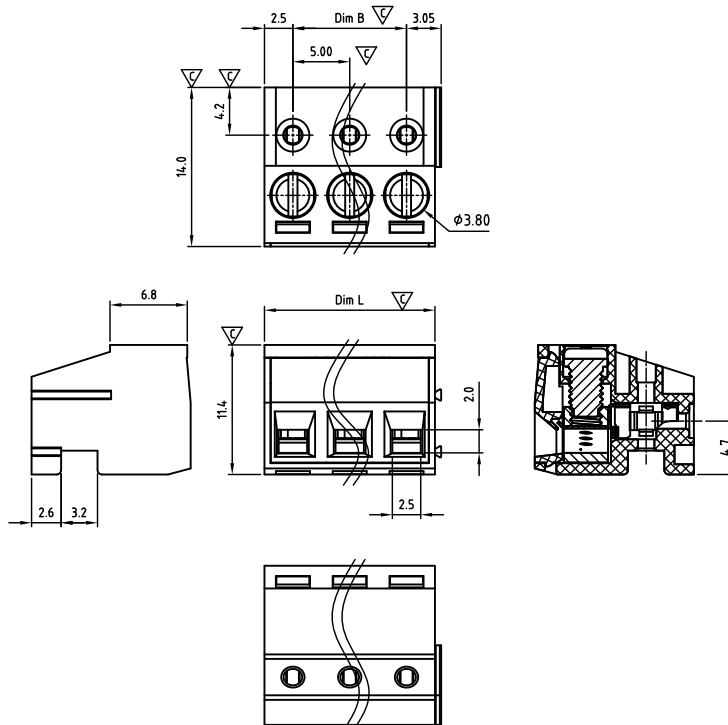




CANBSO500-SERIES

cULus E501953



Critical dimension: ∇

Dim.L=Px5.0

Dim.B=(P-1)x5.0

P=Number of poles (02-24)

	Dim B	Dim L
0-30mm	+/- 0,15	+/- 0,20
over 30-60mm	+/- 0,20	+/- 0,25
over 60-90mm	+/- 0,25	+/- 0,30
over 90mm	+/- 0,30	+/- 0,40

Tolerance	
x.	+/- 0,50
x.x	+/- 0,30
x.xx	+/- 0,10
x°	+/- 1°

Units:mm

Technical data

Technical data in accordance with UL/CUL

	Use Group	B	C	D
Nominal voltage (V)	300	-	300	
Nominal current (A)	10	-	10	
Connection capacity(AWG)	22-16	-	22-16	

Technical data in accordance with IEC

Rated insulation voltage at pollution degree 2 (V)	320		
Rated current/conductor cross-section (A/mm ²)	10/1.5		
Solid/stranded(mm ²)	0.34-1.5 / 0.34-1.5		
Surge voltage category/pollution degree	III / 3	III / 2	II / 2
Rated insulation voltage(V)	250	320	630
Rated surge voltage(kV)	2.5	2.5	2.5

General data

Stripping length(mm)	5-6
Screw thread	M3
Tightening torque(Nm)	0.4-0.45
Insulation Withstanding Voltage	AC 1600 / 1min
Insulation Resistance	1000M Ω or more at DC500V
Using temperature range	-40°C-115°C

Materials

Insulation material group	PA 66 I UL94 -V0
Wire guard	PhBz, Tin plated
Cage	Brass, Ni plated
Screw	Steel, Zn plated

Packing information

Poles	Order Number	SPQ
2	CANBSO50002x000	540
3	CANBSO50003x000	360
4	CANBSO50004x000	250
5	CANBSO50005x000	250
6	CANBSO50006x000	180
7	CANBSO50007x000	168
8	CANBSO50008x000	160
9	CANBSO50009x000	140
10	CANBSO50010x000	140
11	CANBSO50011x000	140
12	CANBSO50012x000	140
13	CANBSO50013x000	140
14	CANBSO50014x000	105
15	CANBSO50015x000	105
16	CANBSO50016x000	105
17	CANBSO50017x000	105
18	CANBSO50018x000	105
19	CANBSO50019x000	70
20	CANBSO50020x000	70
21	CANBSO50021x000	70
22	CANBSO50022x000	70
23	CANBSO50023x000	70
24	CANBSO50024x000	70

Ordering code

CANBSO 500 xx x xxx
① ② ③ ④ ⑤ ⑥

- ① Type
- ② Product style
- ③ Pitch
- ④ Poles (02-24)
- ⑤ Color
- ⑥ Standard 000 or Custom XXX

Color

0 Black	5 Green
1 Brown	6 Blue
2 Red	G Pale grey
3 Orange	8 Dark grey
4 Yellow	9 White

Key Commercial data

Custom tariff number	8536901000
Country of origin	CN (China)

Mating with headers

CAGAVA500 Series

