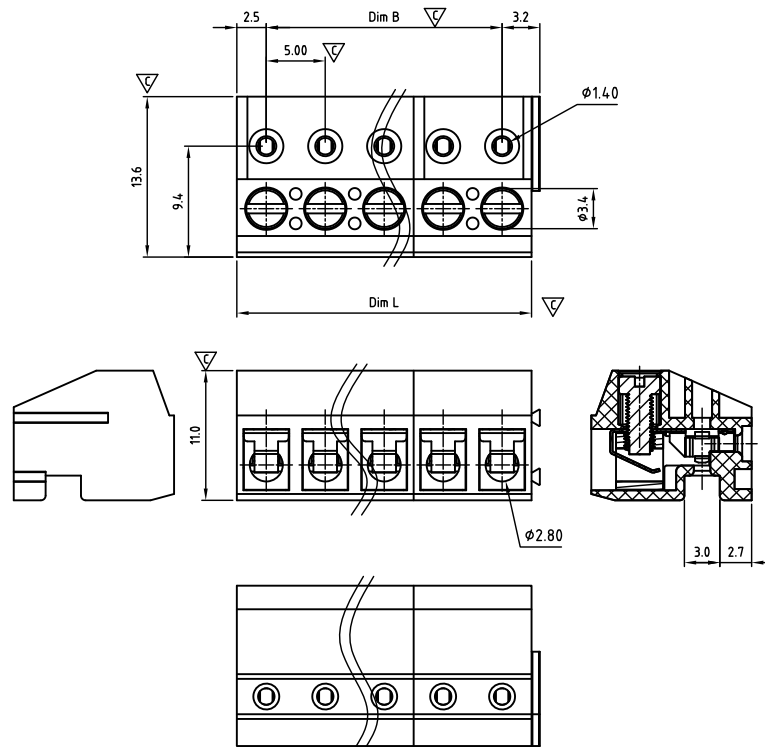




CANAMO500-SERIES

cULus E501953



Critical dimension: ∇

Dim.L=Px5.0

Dim.B=(P-1)x5.0

P=Number of poles (02-24)

	Dim B	Dim L
0-30mm	+/- 0,15	+/- 0,20
over 30-60mm	+/- 0,20	+/- 0,25
over 60-90mm	+/- 0,25	+/- 0,30
over 90mm	+/- 0,30	+/- 0,40

Tolerance	
x.	+/- 0,50
x.x	+/- 0,30
x.xx	+/- 0,10
x°	+/- 1°

Units:mm

Technical data

Technical data in accordance with UL/CUL

	Use Group	B	C	D
Nominal voltage (V)		300	-	300
Nominal current (A)		14	-	10
Connection capacity(AWG)		22-14	-	22-14

Technical data in accordance with IEC

Rated insulation voltage at pollution degree 2 (V)	320		
Rated current/conductor cross-section (A/mm ²)	12 / 1.5		
Solid/stranded(mm ²)	0.34-1.5 / 0.34-1.5		
Surge voltage category/pollution degree	III / 3	III / 2	II / 2
Rated insulation voltage(V)	250	320	630
Rated surge voltage(kV)	2.5	2.5	2.5

General data

Stripping length(mm)	5-6
Screw thread	M2.6
Tightening torque(Nm)	0.4-0.45
Insulation Withstanding Voltage	Ac1600 / 1min
Insulation Resistance	1000M Ω or more at DC500V
Using temperature range	-40°C-115°C

Materials

Insulation material group	PA 66 I UL94 -V0
Wire guard	PhBz
Cage	Brass, Sn plated
Screw	Steel, Zn plated

Packing information

Poles	Order Number	SPQ
2	CANAMO50002x000	600
3	CANAMO50003x000	400
4	CANAMO50004x000	300
5	CANAMO50005x000	250
6	CANAMO50006x000	200
7	CANAMO50007x000	170
8	CANAMO50008x000	150
9	CANAMO50009x000	140
10	CANAMO50010x000	120
11	CANAMO50011x000	110
12	CANAMO50012x000	100
13	CANAMO50013x000	105
14	CANAMO50014x000	80
15	CANAMO50015x000	80
16	CANAMO50016x000	70
17	CANAMO50017x000	70
18	CANAMO50018x000	70
19	CANAMO50019x000	70
20	CANAMO50020x000	70
21	CANAMO50021x000	60
22	CANAMO50022x000	55
23	CANAMO50023x000	55
24	CANAMO50024x000	55

Ordering code

CANA MO 500 xx x xxx

① ② ③ ④ ⑤ ⑥

- ① Type
- ② Product style
- ③ Pitch
- ④ Poles (02-24)
- ⑤ Color
- ⑥ Standard 000 or Custom XXX

Color

0 Black	5 Green
1 Brown	6 Blue
2 Red	G Pale grey
3 Orange	8 Dark grey
4 Yellow	9 White

Key Commercial data

Custom tariff number	8536901000
Country of origin	CN (China)

Mating with headers

CAGAVA500 Series

