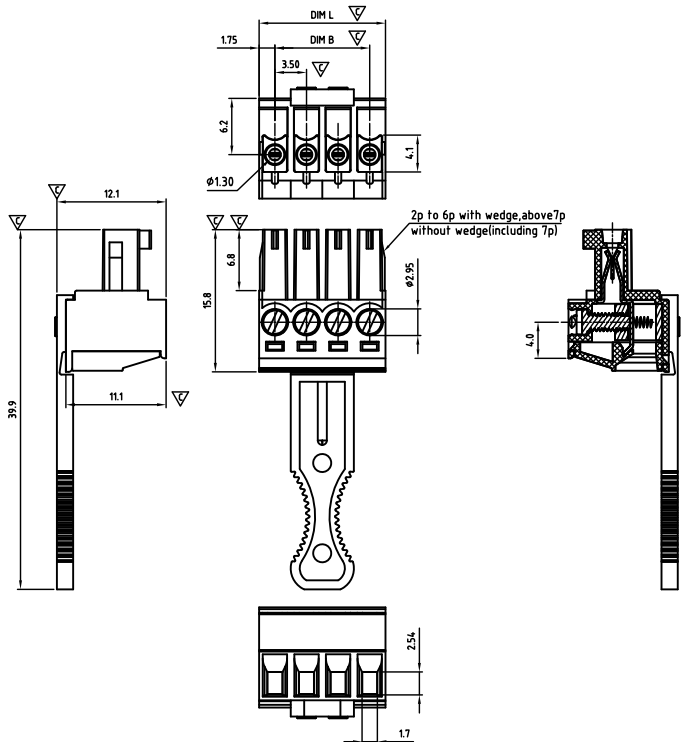




**CAMAST350-SERIES**

Pitch 3,50mm

**cULus** E501953  
VDE



Dimensions: DIM L, DIM B, 1.75, 3.50, 6.2, 4.1, 12.1, 39.9, 11.1, 15.8, 6.8, 2p to 6p with wedge, above 7p without wedge (including 7p), 6.2, 4.0, 2.54, 1.7

Critical dimension:  $\nabla$

Dim.L = P x 3.5  
Dim.B = (P-1) x 3.5  
P = Number of poles (02-24)

	Dim B	Dim L
0-30mm	+/- 0,15	+/- 0,20
over 30-60mm	+/- 0,20	+/- 0,25
over 60-90mm	+/- 0,25	+/- 0,30
over 90mm	+/- 0,30	+/- 0,40

Tolerance	
x.	+/- 0,50
x.x	+/- 0,30
x.xx	+/- 0,10
x°	+/- 1°

Units: mm

**Technical data**

Technical data in accordance with UL/cUL

	Use Group	B	C	D
Nominal voltage (V)		300	-	300
Nominal current (A)		8	-	8
Connection capacity (AWG)		30-16	-	30-16

Technical data in accordance with IEC and VDE

Rated insulation voltage at pollution degree 2 (V)	160		
Rated current/conductor cross-section (A/mm <sup>2</sup> )	8 / 1.5		
Solid/stranded (mm <sup>2</sup> )	0.14-1.5 / 0.14-1.5		
Surge voltage category/pollution degree	III / 3	III / 2	II / 2
Rated insulation voltage (V)	160	160	320
Rated surge voltage (kV)	2.5	2.5	2.5

General data

Stripping length (mm)	6-7
Screw thread	M2
Tightening torque (Nm)	0.20-0.25
Insulation Withstanding Voltage	AC 1600V / 1min
Insulation Resistance	1000M $\Omega$ or more at DC 500V
Using temperature range	-40°C-115°C

Materials

Insulation material group	PA 66 I UL94 -V0
Wire guard	PhBz, Tin plated
Cage	Brass, Ni plated
Screw	Steel, Zn plated

**Packing information**

Poles	Order Number	SPQ
2	CAMAST35002xH00	370
3	CAMAST35003xH00	280
4	CAMAST35004xH00	200
5	CAMAST35005xH00	130
6	CAMAST35006xH00	100
7	CAMAST35007xH00	
8	CAMAST35008xH00	84
9	CAMAST35009xH00	
10	CAMAST35010xH00	80
11	CAMAST35011xH00	48
12	CAMAST35012xH00	64
13	CAMAST35013xH00	
14	CAMAST35014xH00	
15	CAMAST35015xH00	
16	CAMAST35016xH00	
17	CAMAST35017xH00	
18	CAMAST35018xH00	40
19	CAMAST35019xH00	
20	CAMAST35020xH00	
21	CAMAST35021xH00	
22	CAMAST35022xH00	
23	CAMAST35023xH00	
24	CAMAST35024xH00	

**Ordering code**

**CAMA ST 350 xx x Hxx**

① ② ③ ④ ⑤ ⑥

- ① Type
- ② Product style
- ③ Pitch
- ④ Poles (02-24)
- ⑤ Color
- ⑥ Standard H00 or Custom XXX

Color

0 Black	5 Green
1 Brown	6 Blue
2 Red	G Pale grey
3 Orange	8 Dark grey
4 Yellow	9 White

**Key Commercial data**

Custom tariff number	8536901000
Country of origin	CN (China)

**Mating with headers**

CAHABH350 Series



CAHABV350 Series

