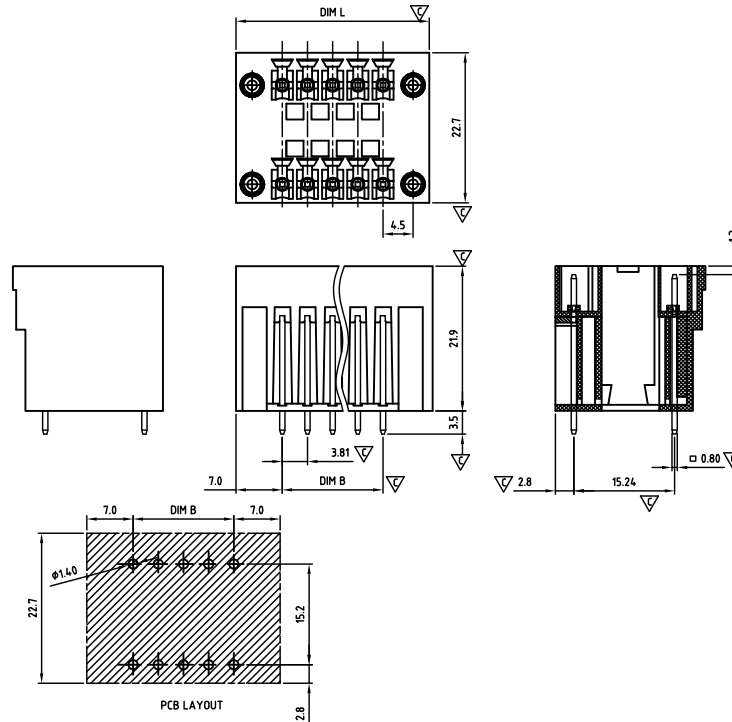




CAHAFV381-SERIES

cULus E501953



Critical dimension: ∇

Dim.L=(1/2P-1)x3.81+14.2

Dim.B=(1/2P-1)x3.81

P=Number of poles (04-48)

	Dim B	Dim L
0-30mm	+/- 0,15	+/- 0,20
over 30-60mm	+/- 0,20	+/- 0,25
over 60-90mm	+/- 0,25	+/- 0,30
over 90mm	+/- 0,30	+/- 0,40

Tolerance	
x.	+/- 0,50
x.x	+/- 0,30
x.xx	+/- 0,10
x°	+/- 1°
	Units:mm

Pitch 3,81mm

Technical data

Technical data in accordance with UL/cUL

	Use Group	B	C	D
Nominal voltage (V)	300	-	-	-
Nominal current (A)	8	-	-	-
Connection capacity(AWG)	-	-	-	-

Technical data in accordance with IEC

Rated insulation voltage at pollution degree 2 (V)	160
Rated current/conductor cross-section (A/mm ²)	8 / -
Solid/stranded(mm ²)	-
Surge voltage category/pollution degree	III / 3 III / 2 II / 2
Rated insulation voltage(V)	160 160 250
Rated surge voltage(kV)	2.5 2.5 2.5

General data

Flange nut thread	M2.5
Flange nut tightening torque(Nm)	Max. 0.3
Insulation Withstanding Voltage	AC 1600 / 1min
Insulation Resistance	1000M Ω or more at DC500V
Using temperature range	-40°C-115°C
Soldering temperature	250±5°C/5s

Materials

Insulation material group	PA 66 I UL94 -V0
PIN	Copper, Tin plated
Flange nut	Brass
Borehole diameter/pin dimensions(mm)	1.4/0.8*0.8

Packing information

Poles	Order Number	SPQ
2*2	CAHAFV38104x000	96
2*3	CAHAFV38106x000	80
2*4	CAHAFV38108x000	64
2*5	CAHAFV38110x000	64
2*6	CAHAFV38112x000	48
2*7	CAHAFV38114x000	48
2*8	CAHAFV38116x000	48
2*9	CAHAFV38118x000	40
2*10	CAHAFV38120x000	40
2*11	CAHAFV38122x000	32
2*12	CAHAFV38124x000	32
2*13	CAHAFV38126x000	32
2*14	CAHAFV38128x000	28
2*15	CAHAFV38130x000	28
2*16	CAHAFV38132x000	24
2*17	CAHAFV38134x000	24
2*18	CAHAFV38136x000	20
2*19	CAHAFV38138x000	20
2*20	CAHAFV38140x000	20
2*21	CAHAFV38142x000	20
2*22	CAHAFV38144x000	20
2*23	CAHAFV38146x000	16
2*24	CAHAFV38148x000	16

Ordering code

CAHA FV 381 xx x xxx
 ① ② ③ ④ ⑤ ⑥

- ① Type
- ② Product style
- ③ Pitch
- ④ Poles (04-48)
- ⑤ Color
- ⑥ Standard 000 or Custom XXX

Color

0 Black	5 Green
1 Brown	6 Blue
2 Red	G Pale grey
3 Orange	8 Dark grey
4 Yellow	9 White

Key Commercial data

Custom tariff number	8536901000
Country of origin	CN (China)

Mating with headers

CAMASF381 Series



CAMBFR381 Series



CAMBFW381 Series



CAPAF381 Series



CAPBFD381 Series

