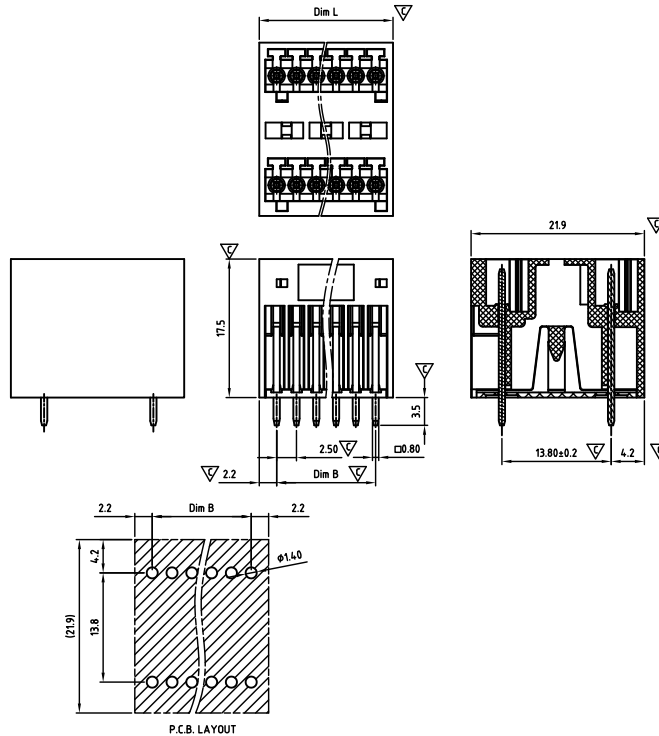


CAHAEV250-SERIES

cULus E501953



Critical dimension: ▽

Dim.L=(1/2P-1)x2.5+4.4

Dim.B=(1/2P-1)x2.5

P=Number of poles (02-24)

	Dim B	Dim L
0-30mm	+/- 0,15	+/- 0,20
over 30-60mm	+/- 0,20	+/- 0,25
over 60-90mm	+/- 0,25	+/- 0,30
over 90mm	+/- 0,30	+/- 0,40

Tolerance	
x.	+/- 0,50
x.x	+/- 0,30
x.xx	+/- 0,10
x°	+/- 1°

Units:mm

Technical data

Technical data in accordance with UL/cUL

	Use Group	B	C	D
Nominal voltage (V)	150	-	-	-
Nominal current (A)	4	-	-	-
Connection capacity(AWG)	-	-	-	-

Technical data in accordance with IEC

Rated insulation voltage at pollution degree 2 (V)	160
Rated current/conductor cross-section (A/mm ²)	4 / -
Solid/stranded(mm ²)	-
Surge voltage category/pollution degree	III / 3 III / 2 II / 2
Rated insulation voltage(V)	80 160 250
Rated surge voltage(kV)	1.5 2.5 2.5

General data

Flange nut thread	-
Flange nut tightening torque(Nm)	-
Insulation Withstanding Voltage	AC 1600 / 1min
Insulation Resistance	1000MΩ or more at DC500V
Using temperature range	-40°C-115°C
Soldering temperature	250±5°C/5s

Materials

Insulation material group	PA 66 I UL94 -V0
PIN	Copper, Tin plated
Flange nut	-
Borehole diameter/pin dimensions(mm)	1.4/0.8*0.8

Packing information

Poles	Order Number	SPQ
2*2	CAHAEV25004x000	210
2*3	CAHAEV25006x000	180
2*4	CAHAEV25008x000	140
2*5	CAHAEV25010x000	140
2*6	CAHAEV25012x000	140
2*7	CAHAEV25014x000	120
2*8	CAHAEV25016x000	100
2*9	CAHAEV25018x000	100
2*10	CAHAEV25020x000	80
2*11	CAHAEV25022x000	80
2*12	CAHAEV25024x000	70
2*13	CAHAEV25026x000	60
2*14	CAHAEV25028x000	60
2*15	CAHAEV25030x000	60
2*16	CAHAEV25032x000	55
2*17	CAHAEV25034x000	48
2*18	CAHAEV25036x000	48
2*19	CAHAEV25038x000	48
2*20	CAHAEV25040x000	40
2*21	CAHAEV25042x000	40
2*22	CAHAEV25044x000	40
2*23	CAHAEV25046x000	40
2*24	CAHAEV25048x000	38

Ordering code

CAHA EV 250 xx x xxx
① ② ③ ④ ⑤ ⑥

- ① Type
- ② Product style
- ③ Pitch
- ④ Poles (04-48)
- ⑤ Color
- ⑥ Standard 000 or Custom XXX

Color

0 Black	5 Green
1 Brown	6 Blue
2 Red	G Pale grey
3 Orange	8 Dark grey
4 Yellow	9 White

Key Commercial data

Custom tariff number	8536901000
Country of origin	CN (China)

Mating with headers

CAPASD250 Series

