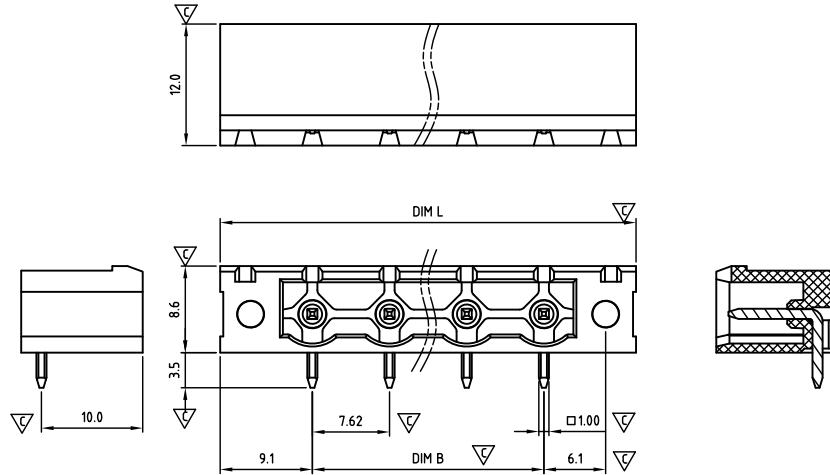


CAHACH762-SERIES

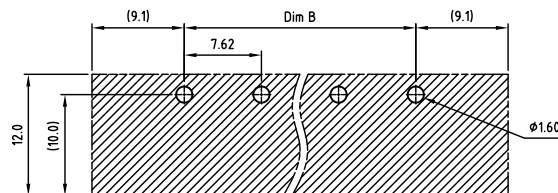
Pitch 7,62mm

cULus E501953



Critical dimension: ∇

Dim.L=(P-1)x7.62+18.2		
Dim.B=(P-1)x7.62		
P=Number of poles (02-16)		
	Dim B	Dim L
0-30mm	+/- 0,15	+/- 0,20
over 30-60mm	+/- 0,20	+/- 0,25
over 60-90mm	+/- 0,25	+/- 0,30
over 90mm	+/- 0,30	+/- 0,40



Tolerance	
x.	+/- 0,50
x.x	+/- 0,30
x.xx	+/- 0,10
x ^o	+/- 1 ^o
	Units:mm

Technical data

Technical data in accordance with UL/CUL

	Use Group	B	C	D
Nominal voltage (V)		300	-	300
Nominal current (A)		15	-	10
Connection capacity(AWG)		-	-	-

Technical data in accordance with IEC

Rated insulation voltage at pollution degree 2 (V)		630	
Rated current/conductor cross-section (A/mm ²)		12 / -	
Solid/stranded(mm ²)		-	
Surge voltage category/pollution degree	III / 3	III / 2	II / 2
Rated insulation voltage(V)	400	630	1000
Rated surge voltage(kV)	6	6	6

General data

Flange nut thread	M2.5
Flange nut tightening torque(Nm)	Max. 0.3
Insulation Withstanding Voltage	AC 1600 / 1min
Insulation Resistance	1000M Ω or more at DC500V
Using temperature range	-40°C-115°C
Soldering temperature	250 \pm 5°C/5s

Materials

Insulation material group	PA 66 I UL94 -V0
PIN	Copper, Tin plated
Flange nut	Brass
Borehole diameter/pin dimensions(mm)	1.6/1*1

Packing information

Poles	Order Number	SPQ
2	CAHACH76202x000	300
3	CAHACH76203x000	200
4	CAHACH76204x000	215
5	CAHACH76205x000	180
6	CAHACH76206x000	140
7	CAHACH76207x000	125
8	CAHACH76208x000	105
9	CAHACH76209x000	100
10	CAHACH76210x000	95
11	CAHACH76211x000	90
12	CAHACH76212x000	75
13	CAHACH76213x000	70
14	CAHACH76214x000	70
15	CAHACH76215x000	40
16	CAHACH76216x000	40

Ordering code

CAHA CH 762 xx x xxx
① ② ③ ④ ⑤ ⑥

- ① Type
- ② Product style
- ③ Pitch
- ④ Poles (02-16)
- ⑤ Color
- ⑥ Standard 000 or Custom XXX

Color

0 Black	5 Green
1 Brown	6 Blue
2 Red	G Pale grey
3 Orange	8 Dark grey
4 Yellow	9 White

Key Commercial data

Custom tariff number	8536901000
Country of origin	CN (China)

Mating with headers

CAMAFD762 Series



CAMBFR762 Series



CAMBFW762 Series

