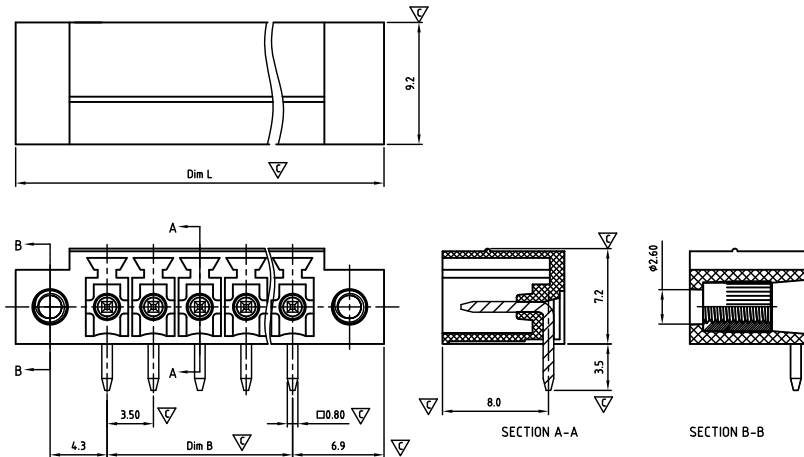




## CAHACH350-SERIES

**cULus** E501953



Critical dimension: ▽

Dim.L=(P-1)x3.5+13.8

Dim.B=(P-1)x3.5

P=Number of poles (02-24)

	Dim B	Dim L
0-30mm	+/- 0,15	+/- 0,20
over 30-60mm	+/- 0,20	+/- 0,25
over 60-90mm	+/- 0,25	+/- 0,30
over 90mm	+/- 0,30	+/- 0,40

Tolerance	
x.	+/- 0,50
x.x	+/- 0,30
x.xx	+/- 0,10
x°	+/-1°

Units:mm

### Technical data

Technical data in accordance with UL/cUL

	Use Group	B	C	D
Nominal voltage (V)	300	-	300	
Nominal current (A)	8	-	8	
Connection capacity(AWG)	-	-	-	

Technical data in accordance with IEC and VDE

Rated insulation voltage at pollution degree 2 (V)	160
Rated current/conductor cross-section (A/mm <sup>2</sup> )	8 / -
Solid/stranded(mm <sup>2</sup> )	-
Surge voltage category/pollution degree	III / 3 III / 2 II / 2
Rated insulation voltage(V)	160 160 250
Rated surge voltage(kV)	2.5 2.5 2.5

General data

Flange nut thread	M2.5
Flange nut tightening torque(Nm)	Max. 0.3
Insulation Withstanding Voltage	AC 1600 / 1min
Insulation Resistance	1000MΩ or more at DC500V
Using temperature range	-40°C-115°C
Soldering temperature	250±5°C/5s

Materials

Insulation material group	PA 66 I UL94 -V0
PIN	Copper, Tin plated
Flange nut	Brass
Borehole diameter/pin dimensions(mm)	1.4/0.8*0.8

### Packing information

Poles	Order Number	SQ
2	CAHACH35002x000	700
3	CAHACH35003x000	560
4	CAHACH35004x000	400
5	CAHACH35005x000	400
6	CAHACH35006x000	400
7	CAHACH35007x000	280
8	CAHACH35008x000	240
9	CAHACH35009x000	240
10	CAHACH35010x000	240
11	CAHACH35011x000	240
12	CAHACH35012x000	220
13	CAHACH35013x000	220
14	CAHACH35014x000	190
15	CAHACH35015x000	190
16	CAHACH35016x000	165
17	CAHACH35017x000	160
18	CAHACH35018x000	160
19	CAHACH35019x000	150
20	CAHACH35020x000	150
21	CAHACH35021x000	140
22	CAHACH35022x000	140
23	CAHACH35023x000	135
24	CAHACH35024x000	135

### Ordering code

**CAHA CH 350 xx x xxx**  
① ② ③ ④ ⑤ ⑥

- ① Type
- ② Product style
- ③ Pitch
- ④ Poles (02-24)
- ⑤ Color
- ⑥ Standard 000 or Custom XXX

Color

0 Black	5 Green
1 Brown	6 Blue
2 Red	G Pale grey
3 Orange	8 Dark grey
4 Yellow	9 White

### Key Commercial data

Custom tariff number	8536901000
Country of origin	CN (China)

### Mating with headers

CAMAFT350 Series



CAMBFR350 Series



CAMBFW350 Series



CAPBFD350 Series

