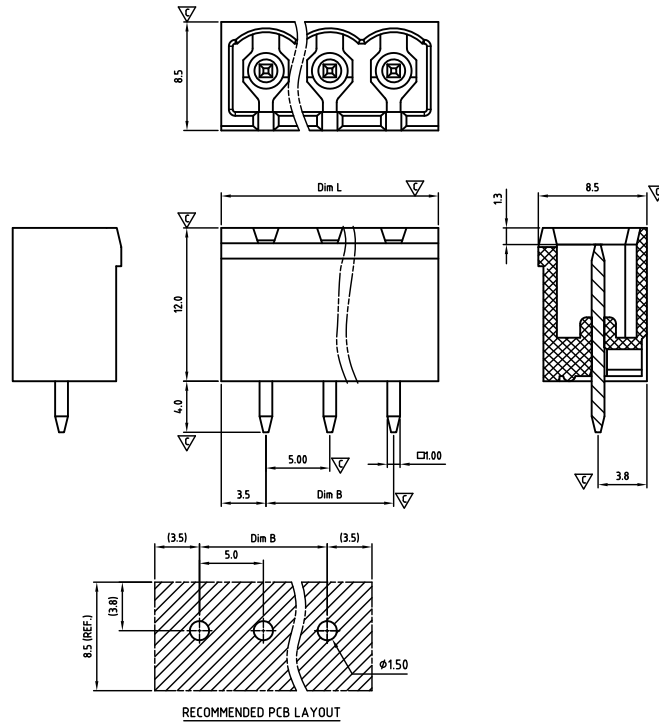




CAHABV500-SERIES

cULus E501953



Critical dimension:  $\nabla$

Dim.L=(P-1)x5.0+2.0		
Dim.B=(P-1)x5.0		
P=Number of poles (02-24)		
	Dim B	Dim L
0-30mm	+/- 0,15	+/- 0,20
over 30-60mm	+/- 0,20	+/- 0,25
over 60-90mm	+/- 0,25	+/- 0,30
over 90mm	+/- 0,30	+/- 0,40

RECOMMENDED PCB LAYOUT

Tolerance	
x.	+/- 0,50
x.x	+/- 0,30
x.xx	+/- 0,10
x°	+/- 1°
	Units:mm

Pitch 5,00mm

Technical data

Technical data in accordance with UL/cUL

	Use Group	B	C	D
Nominal voltage (V)		300	-	300
Nominal current (A)		15	-	10
Connection capacity (AWG)		-	-	-

Technical data in accordance with IEC and VDE

Rated insulation voltage at pollution degree 2 (V)		320		
Rated current/conductor cross-section (A/mm <sup>2</sup> )		12 / -		
Solid/stranded(mm <sup>2</sup> )		-		
Surge voltage category/pollution degree	III / 3	III / 2	II / 2	
Rated insulation voltage(V)	250	320	400	
Rated surge voltage(kV)	4	4	4	

General data

Flange nut thread		-
Flange nut tightening torque(Nm)		-
Insulation Withstanding Voltage		AC 1600 / 1min
Insulation Resistance		1000M $\Omega$ or more at DC500V
Using temperature range		-40°C-115°C
Soldering temperature		250 $\pm$ 5°C/5s

Materials

Insulation material group		PA 66 I UL94 -V0
PIN		Copper, Tin plated
Flange nut		-
Borehole diameter/pin dimensions(mm)		1.6/1*1

Packing information

Poles	Order Number	SPQ
2	CAHABV50002x000	600
3	CAHABV50003x000	400
4	CAHABV50004x000	300
5	CAHABV50005x000	250
6	CAHABV50006x000	240
7	CAHABV50007x000	250
8	CAHABV50008x000	170
9	CAHABV50009x000	200
10	CAHABV50010x000	180
11	CAHABV50011x000	180
12	CAHABV50012x000	180
13	CAHABV50013x000	135
14	CAHABV50014x000	110
15	CAHABV50015x000	110
16	CAHABV50016x000	80
17	CAHABV50017x000	80
18	CAHABV50018x000	80
19	CAHABV50019x000	80
20	CAHABV50020x000	80
21	CAHABV50021x000	80
22	CAHABV50022x000	80
23	CAHABV50023x000	80
24	CAHABV50024x000	80

Ordering code

CAHA BV 500 xx x xxx  
① ② ③ ④ ⑤ ⑥

- ① Type
- ② Product style
- ③ Pitch
- ④ Poles (02-24)
- ⑤ Color
- ⑥ Standard 000 or Custom XXX

Color

0 Black	5 Green
1 Brown	6 Blue
2 Red	7 Pale grey
3 Orange	8 Dark grey
4 Yellow	9 White

Key Commercial data

Custom tariff number	8536901000
Country of origin	CN (China)

Mating with headers

CAMAST500 Series



CAMASD500 Series



CAMBSR500 Series



CAMBSW500 Series

