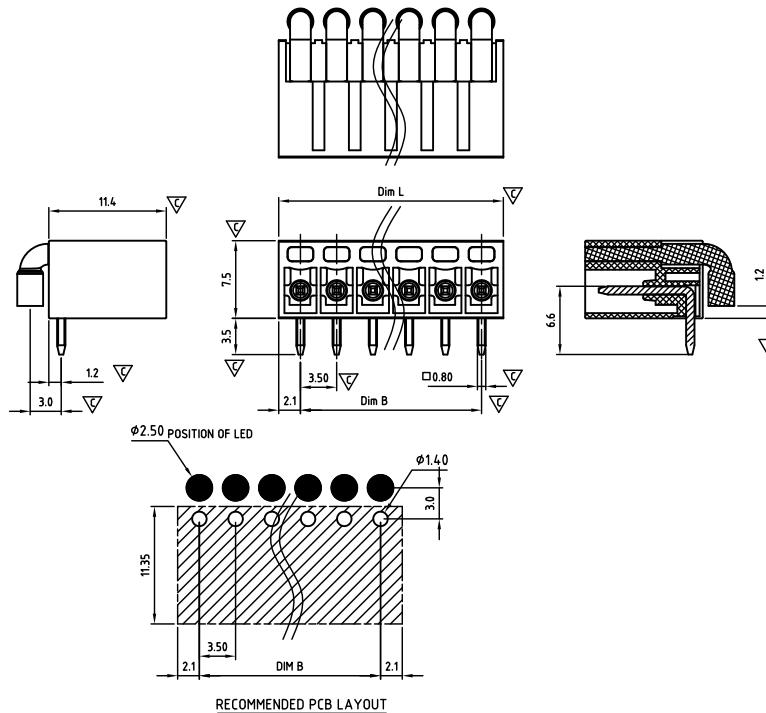


CAHABH350-SERIES (with light guide type)

cULus E501953



Critical dimension: ▽

Dim.L=(P-1)x3.5+4.2
Dim.B=(P-1)x3.5
P=Number of poles (02-24)

	Dim B	Dim L
0-30mm	+/- 0,15	+/- 0,20
over 30-60mm	+/- 0,20	+/- 0,25
over 60-90mm	+/- 0,25	+/- 0,30
over 90mm	+/- 0,30	+/- 0,40

Tolerance	
x.	+/- 0,50
x.x	+/- 0,30
x.xx	+/- 0,10
x°	+/- 1°

Units:mm

Technical data

Technical data in accordance with UL/cUL

	Use Group	B	C	D
Nominal voltage (V)		300	-	300
Nominal current (A)		8	-	8
Connection capacity(AWG)		-	-	-

Technical data in accordance with IEC and VDE

Rated insulation voltage at pollution degree 2 (V)		160	
Rated current/conductor cross-section (A/mm ²)		8 / -	
Solid/stranded(mm ²)		-	
Surge voltage category/pollution degree	III / 3	III / 2	II / 2
Rated insulation voltage(V)	160	160	250
Rated surge voltage(kV)	2.5	2.5	2.5

General data

Flange nut thread		-
Flange nut tightening torque(Nm)		-
Insulation Withstanding Voltage		AC 1600 / 1min
Insulation Resistance		1000MΩ or more at DC500V
Using temperature range		-40°C-115°C
Soldering temperature		250±5°C/5s

Materials

Insulation material group		PA 66 I UL94 -V0
PIN		Copper, Tin plated
Flange nut		-
Borehole diameter/pin dimensions(mm)		1.4/0.8*0.8

Packing information

Poles	Order Number	SPQ
2	CAHABH35002xL00	1000
3	CAHABH35003xL00	700
4	CAHABH35004xL00	500
5	CAHABH35005xL00	400
6	CAHABH35006xL00	300
7	CAHABH35007xL00	300
8	CAHABH35008xL00	300
9	CAHABH35009xL00	300
10	CAHABH35010xL00	250
11	CAHABH35011xL00	250
12	CAHABH35012xL00	200
13	CAHABH35013xL00	0
14	CAHABH35014xL00	0
15	CAHABH35015xL00	0
16	CAHABH35016xL00	0
17	CAHABH35017xL00	0
18	CAHABH35018xL00	0
19	CAHABH35019xL00	0
20	CAHABH35020xL00	0
21	CAHABH35021xL00	0
22	CAHABH35022xL00	0
23	CAHABH35023xL00	0
24	CAHABH35024xL00	0

Ordering code

CAHA BH 350 xx x L00
① ② ③ ④ ⑤ ⑥

- ① Type
- ② Product style
- ③ Pitch
- ④ Poles (02-24)
- ⑤ Color
- ⑥ Standard 000 or Custom XXX

Color

0 Black	5 Green
1 Brown	6 Blue
2 Red	G Pale grey
3 Orange	8 Dark grey
4 Yellow	9 White

Key Commercial data

Custom tariff number	8536901000
Country of origin	CN (China)

Mating with headers

CAPBSD350xxxL00 Series

