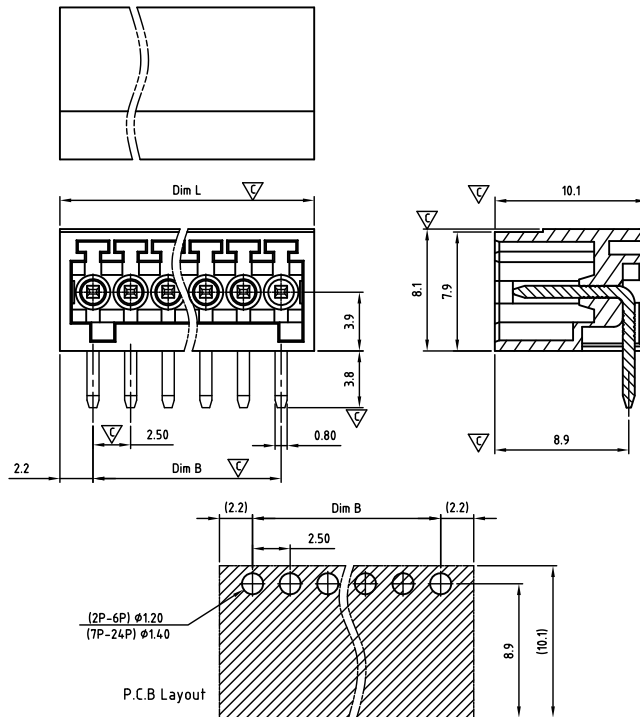




CAHABH250-SERIES

cULus E501953



Critical dimension: ∇

Dim.L= $P \times 2.5 + 1.9$

Dim.B= $(P-1) \times 2.5$

P=Number of poles (02-24)

	Dim B	Dim L
0-30mm	+/- 0,15	+/- 0,20
over 30-60mm	+/- 0,20	+/- 0,25
over 60-90mm	+/- 0,25	+/- 0,30
over 90mm	+/- 0,30	+/- 0,40

Tolerance	
x.	+/- 0,50
x.x	+/- 0,30
x.xx	+/- 0,10
x ^o	+/- 1 ^o
	Units:mm

Technical data

Technical data in accordance with UL/CUL

	Use Group	B	C	D
Nominal voltage (V)	150	-	-	-
Nominal current (A)	4	-	-	-
Connection capacity (AWG)	-	-	-	-

Technical data in accordance with IEC

Rated insulation voltage at pollution degree 2 (V)	160
Rated current/conductor cross-section (A/mm ²)	4 / -
Solid/stranded(mm ²)	-
Surge voltage category/pollution degree	III / 3 III / 2 II / 2
Rated insulation voltage(V)	80 160 250
Rated surge voltage(kV)	1.5 2.5 2.5

General data

Flange nut thread	-
Flange nut tightening torque(Nm)	-
Insulation Withstanding Voltage	AC 1600 / 1min
Insulation Resistance	1000M Ω or more at DC500V
Using temperature range	-40 ^o C-115 ^o C
Soldering temperature	250 \pm 5 ^o C/5s

Materials

Insulation material group	PA 66 I UL94 -V0
PIN	Copper, Tin plated
Flange nut	-
Borehole diameter/pin dimensions(mm)	1.4/0.8*0.8

Packing information

Poles	Order Number	SPQ
2	CAHABH25002x000	1300
3	CAHABH25003x000	1150
4	CAHABH25004x000	800
5	CAHABH25005x000	700
6	CAHABH25006x000	670
7	CAHABH25007x000	575
8	CAHABH25008x000	480
9	CAHABH25009x000	480
10	CAHABH25010x000	415
11	CAHABH25011x000	380
12	CAHABH25012x000	360
13	CAHABH25013x000	325
14	CAHABH25014x000	300
15	CAHABH25015x000	285
16	CAHABH25016x000	240
17	CAHABH25017x000	240
18	CAHABH25018x000	240
19	CAHABH25019x000	240
20	CAHABH25020x000	215
21	CAHABH25021x000	190
22	CAHABH25022x000	190
23	CAHABH25023x000	190
24	CAHABH25024x000	175

Ordering code

CAHA BH 250 xx x xxx
① ② ③ ④ ⑤ ⑥

- ① Type
- ② Product style
- ③ Pitch
- ④ Poles (02-24)
- ⑤ Color
- ⑥ Standard 000 or Custom XXX

Color

0 Black	5 Green
1 Brown	6 Blue
2 Red	G Pale grey
3 Orange	8 Dark grey
4 Yellow	9 White

Key Commercial data

Custom tariff number	8536901000
Country of origin	CN (China)

Mating with headers

CAPASD250 Series

